

REV	DOCUMENT	CHANGED BY	CHECK
8	0032662	DDN 31JUL07	CMH

**SERIES**  
**DESIGNATES PRESSURE**  
**L** - LOW PRESSURE (IN H<sub>2</sub>O)  
 - NO DESIGNATION (PSI)  
**PRESSURE RANGE**  
 04, 10 IN H<sub>2</sub>O  
 0.3, 01, 05, 15, 30 PSI

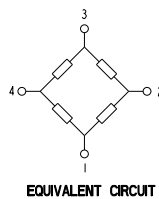
**ACCURACY GRADE**  
**C** - COMMERCIAL GRADE  
**H** - HIGH GRADE  
**PORT OPTION**  
**F** - AXIAL  
 - MODULAR  
**PRESSURE REFERENCE**  
**D** - DIFFERENTIAL

**CATALOG LISTINGS**

CPCLO4DFC
CPCL10DFC
CPCO_3DFC
CPCO1DFC
CPCO5DFC
CPC15DFC
CPC30DFC
CPCL04DC
CPCO_3DFH
①
CPC150DFC
CPCO1DFH
CPC60DFC

D - STYLE (DIFF)	PERFORMANCE AT 25°C AND 12±0.01 Vdc (UNLESS OTHERWISE STATED)										
	C-GRADE			H-GRADE			UNITS	FULL SCALE PRESSURE PSI	OVER PRESSURE PSI		
	MIN	NOM	MAX	MIN	NOM	MAX					
NULL OFFSET (0 PSIG) (L04 LISTING)	-2	0	2	N/A	N/A	N/A	mV				
NULL OFFSET (0 PSIG), ALL LISTINGS EXCEPT L04	-1	0	1	-0.5	0	0.5	mV				
4 IN H <sub>2</sub> O (PI>P2) (L04 LISTING)	23	25	27	N/A	N/A	N/A	mVdc	4 IN H <sub>2</sub> O	3		
4 IN H <sub>2</sub> O (PI>P2) (SCDA121 CPCL04GFC)	23	25	27	N/A	N/A	N/A	mVdc	4 IN H <sub>2</sub> O	5		
10 IN H <sub>2</sub> O (PI>P2) (L10 LISTING)	19	20	21	19.5	20	20.5	mVdc	10 IN H <sub>2</sub> O	5		
0.3 PSI SPAN (PI>P2)	19	20	21	19.5	20	20.5	mVdc	0.3	5		
1 PSI SPAN (PI>P2)	17	18	19	17.8	18	18.2	mVdc	1	5		
5 PSI SPAN (PI>P2)	57	60	63	59	60	61	mVdc	5	15		
15 PSI SPAN (PI>P2)	85	90	95	89	90	91	mVdc	15	45		
30 PSI SPAN (PI>P2)	85	90	95	89	90	91	mVdc	30	90		
60 PSI SPAN (PI>P2)	85	90	95	89	90	91	mVdc	60	180		
100 PSI SPAN (PI>P2)	95	100	105	99	100	101	mVdc	100	250		
150 PSI SPAN (PI>P2)	85	90	95	89	90	91	mVdc	150	250		
NULL SHIFT OVER TEMPERATURE (0-25, 25-70 °C)	---	---	±1	---	---	±.5	mV				
SPAN SHIFT OVER TEMPERATURE (0-25, 25-70 °C)	---	---	±2	---	---	±.1	% SPAN				
COMBINED LINEARITY AND HYSTERESIS	---	0.25	1	---	0.25	0.5	% SPAN				

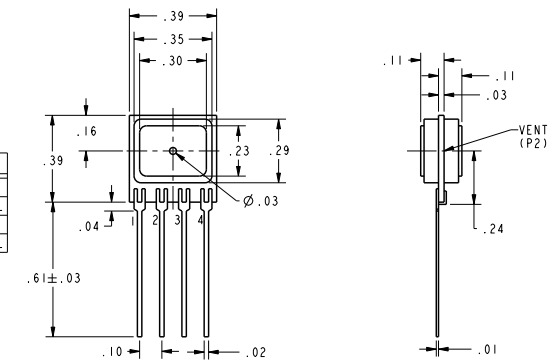
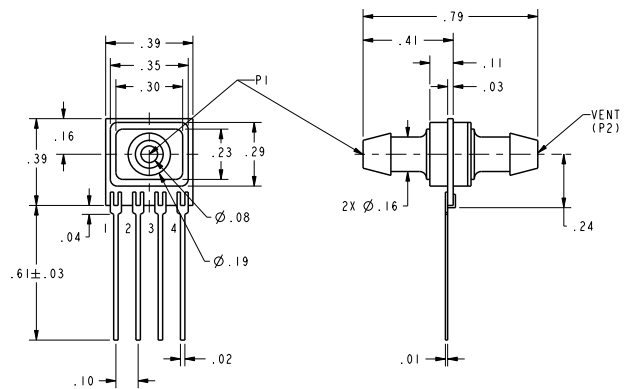
GENERAL OPERATING CHARACTERISTICS	ALL PRESSURES			UNITS
	MIN	NOM	MAX	
EXCITATION VOLTAGE	3	12	16	Vdc
SUPPLY CURRENT	---	---	3.5	mA
INPUT RESISTANCE	5	---	---	K-OHMS
OUTPUT RESISTANCE	---	3	---	K-OHMS
OPERATING TEMPERATURE	-25	---	85	°C
STORAGE TEMPERATURE	-40	---	125	°C



PIN OUT	
1	-V EXCITATION
2	+ OUTPUT SIGNAL
3	+ V EXCITATION
4	- OUTPUT SIGNAL

**NOTES**

- SPAN IS THE ALGEBRAIC DIFFERENCE BETWEEN THE OUTPUT AT FULL SCALE PRESSURE AND THE OFFSET OUTPUT
- TEMPERATURE ERROR IS CALCULATED WITH RESPECT TO 25°C
- LINEARITY IS MEASURED AT 1/2 FULL SCALE PRESSURE USING BEST STRAIGHT LINE FIT
- THE OUTPUT OF THE SENSOR IS PROPORTIONAL, RATIO-METRIC, TO THE EXCITATION VOLTAGE. THE EXCITATION MAY VARY BETWEEN 3 TO 16 Vdc. ALL SPECIFICATIONS WILL NOMINALLY BE CHANGED BY THE RATIO OF V<sub>EXCITATION</sub>/12.0 Vdc
- LIMIT SOLDERING TO 315°C FOR LESS THAN 10 SECONDS
- PIN 1 IS IDENTIFIED BY THE DOT ON THE HOUSING AS SHOWN ON THE VARIOUS DRAWINGS
- APPLY PRESSURE TO PORT INDICATED ON THE DRAWINGS SHOWN
- SENSORS ARE OPERATIONAL OVER VACUUM PRESSURE RANGE
- INPUT MEDIA RESTRICTED TO DRY GASES ONLY
- THE L04 LISTING HAS A TEMPERATURE SHIFT RANGE FROM 0 TO 25°C AND 25 TO 50°C



UNLESS OTHERWISE SPECIFIED TOLERANCES ARE:	NO PLACE	±.040	±.1	DRAWN	TSM	6FEBO3
ONE PLACE	±.030	±0.4	CHECK	CMH	6FEBO3	
TWO PLACE	±.015	±0.15	THIS DRAWING COVERS A PROPRIETARY ITEM AND IS THE PROPERTY OF HONEYWELL. THIS DRAWING IS NOT TO BE COPIED OR USED WITHOUT THE PERMISSION OF HONEYWELL.			
THREE PLACE	±.005	±	DIMENSIONS ARE TO BE MET BEFORE PROTECTIVE COATINGS ARE APPLIED			
ANGLES	±	±	3D PTC			
RAW MATERIAL-COMMERCIAL STANDARD	ASME Y14.5M-1994					

<b>Honeywell</b>		<b>PRESSURE SENSOR</b>	
TITLE		SIZE	DWG TYPE
DRAWING NAME		C	I
DRAWING NAME		CPC DIFF SERIES CHART 1	
REV	8	SCALE	3:1
SHEET		1 OF 1	