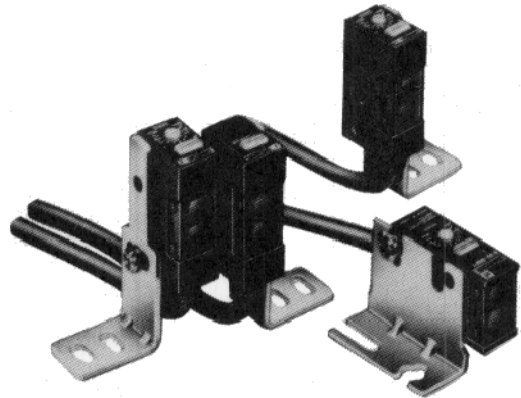


Miniature DC Sensor with Built-in Amplifier Offers Vertical or Horizontal Single-Screw Mounting



- Visible red beam
- High-speed sensing, 0.5 ms response time
- NEMA 4X, 6 and IP67
- Single-screw mounting
- Pre-wired, Light-ON/Dark-ON wire selectable



Ordering Information

■ SENSORS

Through-beam sensors include both emitter and receiver. The polarized retroreflective sensors include E39-R1 reflector. All sensors include mounting hardware.

Method of detection		Through-beam	Polarized retroreflective	Diffuse reflective
Sensing distance		2 m (6.56 ft)	1 m (3.28 ft)	20 cm (7.87 in)
Mounting	Output	Part number		
Horizontal 	NPN	E3S-BT11	E3S-BR11	E3S-BD11
	PNP	E3S-BT31	E3S-BR31	E3S-BD31
Vertical 	NPN	E3S-BT61	E3S-BR61	E3S-BD61
	PNP	E3S-BT81	E3S-BR81	E3S-BD81

■ ACCESSORIES

Description	Part number	
Slits for E3S-BT□□ sensors (3 pairs of adhesive slits: 2 mm, 1 mm and 0.5 mm wide)	E39-S47	
Aperture kit for E3S-BT□□ sensors (3 pairs of adhesive apertures: 2 mm, 1 mm and 0.5 mm dia.)	E39-S48	
Mutual interference filters for E3S-BT□□ sensors (2 pairs: horizontal and vertical, includes mounting hardware)	E39-E8	
Small corner cube reflector	10 to 60 cm (3.94 to 23.62 in)	E39-R3
	7 to 35 cm (2.76 to 13.78 in)	E39-R4
Adhesive back reflector	10 to 20 cm (3.94 to 7.87 in)	E39-RSA
	10 to 30 cm (3.94 to 11.81 in)	E39-RSB
Stainless steel mounting bracket for E39-R1 reflector	E39-L7	
Stainless steel mounting bracket for E39-R3 reflector	E39-L54	

■ ACCESSORIES

Description	Part number
Corner cube reflector (supplied with E3S-BR□□)	E39-R1
Stainless steel mounting bracket for horizontal sensors (supplied with each sensor)	E39-L71
Stainless steel mounting bracket for vertical sensors (supplied with each sensor)	E39-L72
Mounting adapter plate	E39-L61

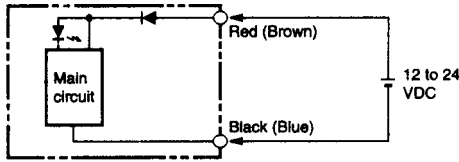
Specifications

Part number		E3S-BT□□	E3S-BT□□	E3S-BD□□
Method of detection		Through-beam	Polarized retroreflective	Diffuse reflective
Supply voltage		10 to 30 VDC, ± 10%		
Current consumption		35 mA max. (emitter and receiver)	25 mA max.	
Sensing distance	White mat paper	0 to 2 m (0 to 6.56 ft)	0.1 to 1 m with E39-R1 (0.33 to 3.28 ft)	0.1 to 20 cm (0.04 to 7.87 in)
	Black mat paper			0.2 to 6 cm (0.08 to 2.36 in)
	With accessories	60 cm (1.97 ft) with E39-E8 filter 1 m (3.28 ft) with 2 mm slit 50 cm (1.64 ft) with 1 mm slit 25 cm (9.84 in) with 0.5 mm slit 60 cm (1.97 ft) with 2 mm dia. aperture 17 cm (6.69 in) with 1 mm dia. aperture 4 cm (1.57 in) with 0.5 mm dia. aperture	10 to 60 cm with E39-R3 (3.94 to 23.62 in) 7 to 35 cm with E39-R4 (2.76 to 13.78 in) 10 to 20 cm with E39-RSA (3.94 to 7.87 in) 10 to 30 cm with E39-RSB (3.94 to 11.81 in)	—
Light source		Pulse modulated red LED (700 nm)		
Standard object	Type	Opaque materials	Opaque materials	Opaque and transparent objects
	Size	5.5 mm (0.22 in) dia. minimum	30 mm (1.18 in) dia. minimum	10 x 10 cm (3.94x 3.94 in) white mat paper
Operation mode		Light-ON/Dark-ON operation, wire selectable		
Variation in sensing distance		—	—	+30% max., -0% max.
Hysteresis		—	—	20% max.
Variation in optical axis and mounting direction		± 2° max.		
Sensitivity		Adjustable, 3/4-turn potentiometer		
Mutual interference protection		Not provided	Provided	Provided
Control output	Type	NPN transistor, open collector (E3S-B□11, E3SB□61) PNP transistor, open collector (E3S-B□31, E3SB□81)		
	Max. load	100 mA max. at 30 VDC		
	Max. ON-state voltage drop	1 VDC max. at 100 mA load current		
Response time		0.5 ms max. for both ON and OFF operation		
Circuit protection		Load short-circuit protection, reverse polarity protection		
Indicators		Emitter: Operation (red) Receiver: Operation (red) Stability (green)	Operation (red), Stability (green)	
Materials	Lens	Denatured polyarylate		
	Case	Polybutylene terephthalate (PBT)		
	Bracket	Stainless steel		
Mounting		Either side surface with one stud and one threaded hole. Bracket E39-L71 for horizontal or E39-L72 for vertical sensors and hardware included.		
Connections		Prewired 2 m (6.56 ft) long cable		
Weight	Emitter	56 g (1.96 oz)	56 g (1.96 oz)	65 g (2.28 oz)
	Receive	66 g (2.31 oz)	—	—
Enclosure rating	IEC 144	IP67		
	NEMA	4X, 6		
Ambient temperature	Operating	-25° to 55°C (-13° to 131°F) with no icing		
	Storage	-40° to 70°C (-40° to 158°F)		

OUTPUT CIRCUIT DIAGRAMS

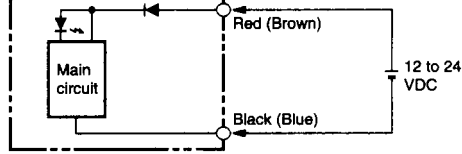
NPN Output

Through-beam Emitter

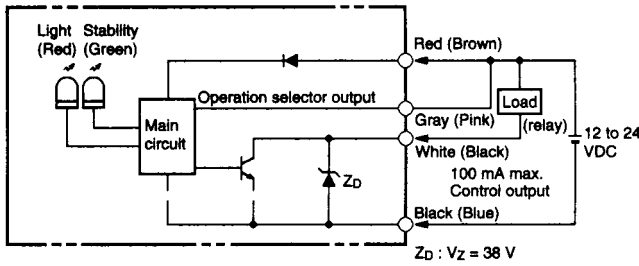


PNP Output

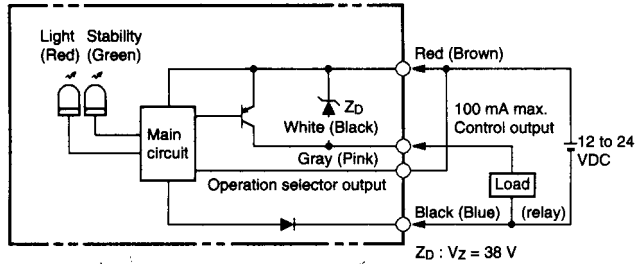
Through-beam Emitter



Through-beam Receiver, Retroreflective, Diffuse Reflective



Through-beam Receiver, Retroreflective, Diffuse Reflective



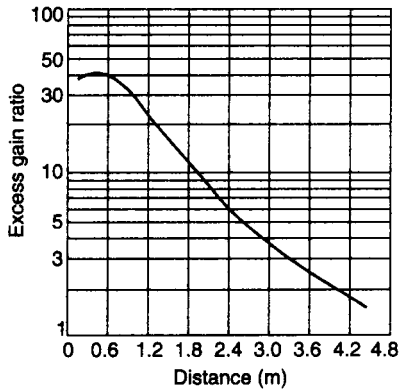
Note: Circuits shown are for Light-ON operation. For Dark-ON operation, the gray wire is connected to the black wire (0 VDC). IEC colors are shown in parentheses.

Engineering Data

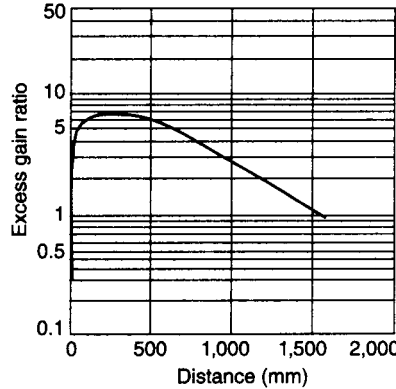
EXCESS GAIN RATIO

Excess Gain vs. Set Distance (Typical)

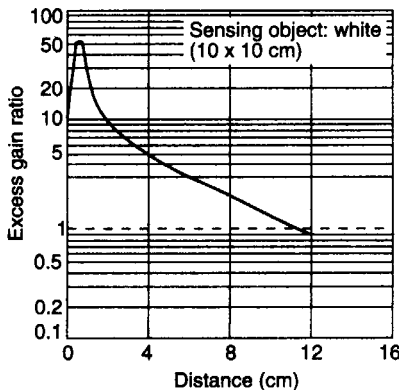
E3S-BT□1



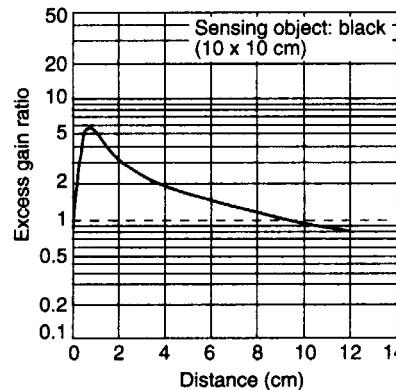
E3S-BR□1 (with E39-R1 Reflector)



E3S-BD□1 (Detection of White Paper)

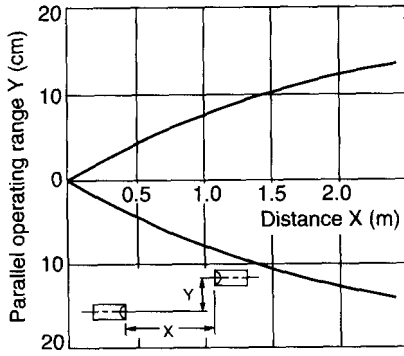


E3S-BD□1 (Detection of Black Paper)

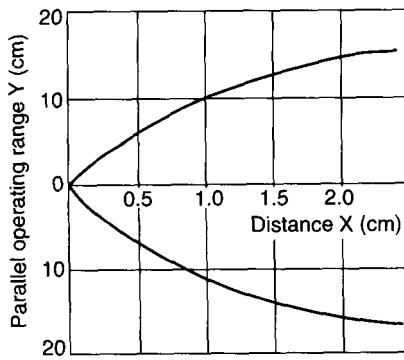


OPERATING RANGE

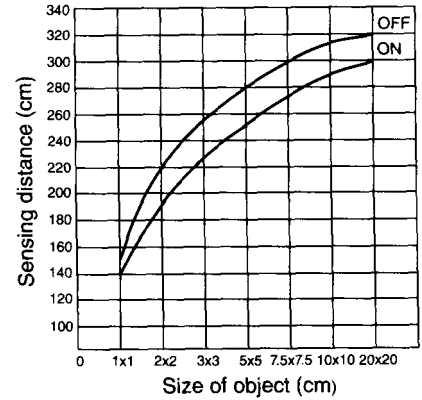
Parallel Operating Range (Typical)
E3S-BT□1 (Left and Right)



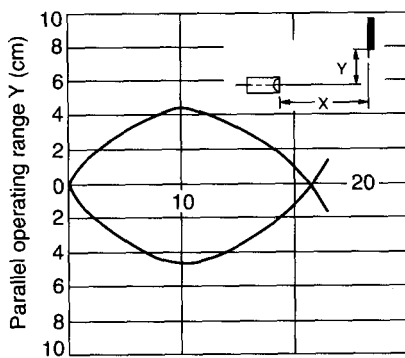
E3S-BT□1 (Up and down)



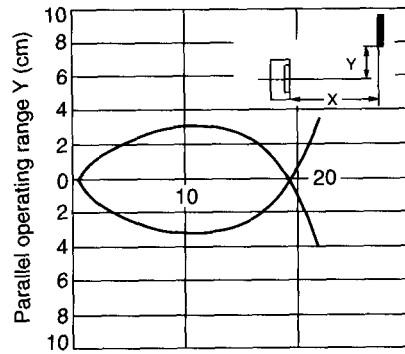
Sensing Distance vs. Set Distance
E3S-BT□11



E3S-BD□1 (Left and Right)



E3S-BD□1 (Up and down)



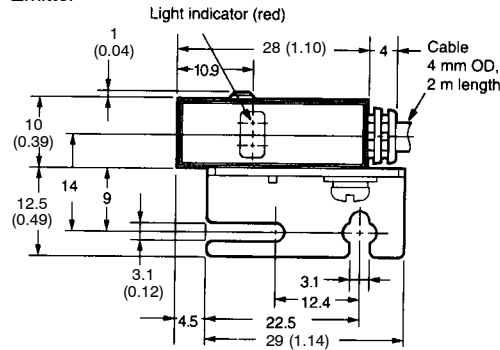
Dimensions

Unit: mm (inch)

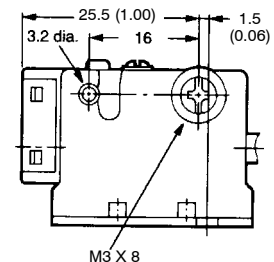
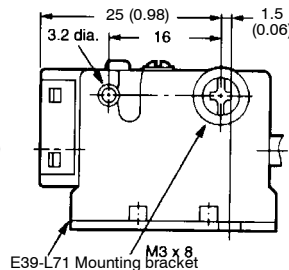
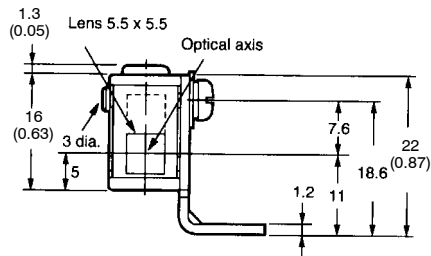
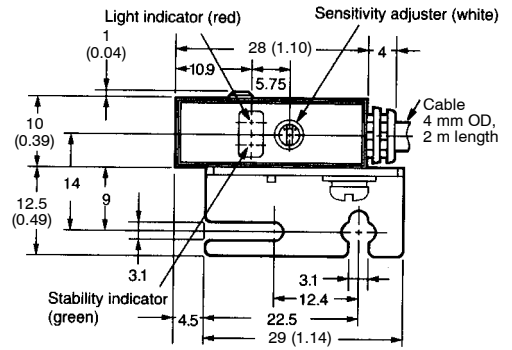
SENSORS

E3S-BT11
E3S-BT31

Emitter



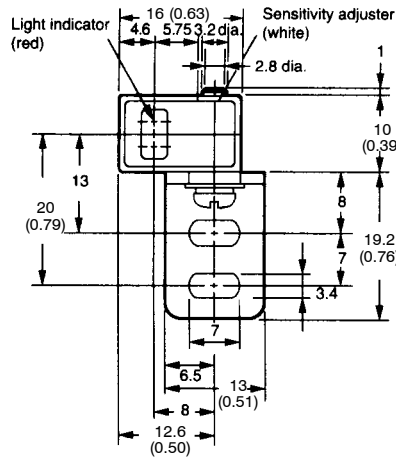
Receiver



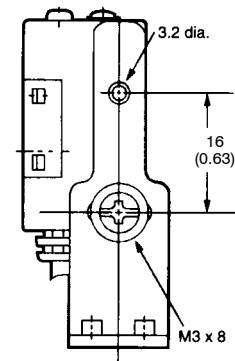
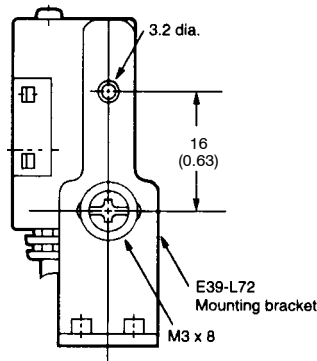
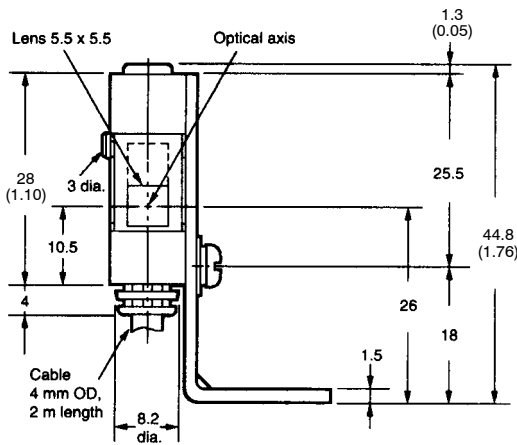
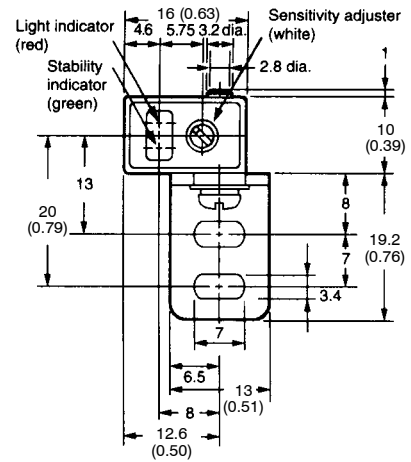
Unit: mm (inch)

E3S-BT61
E3S-BT81

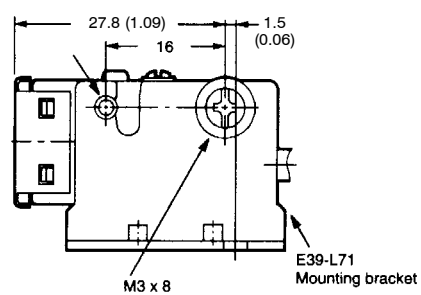
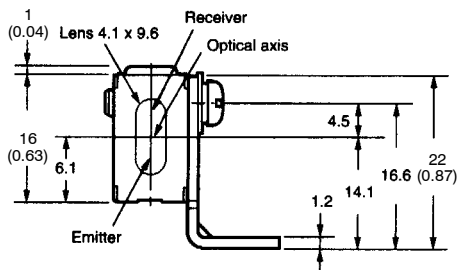
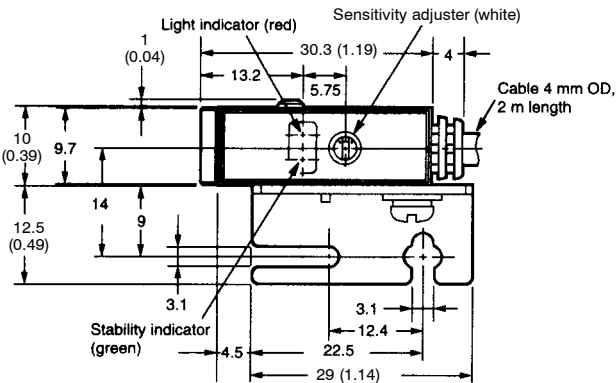
Emitter



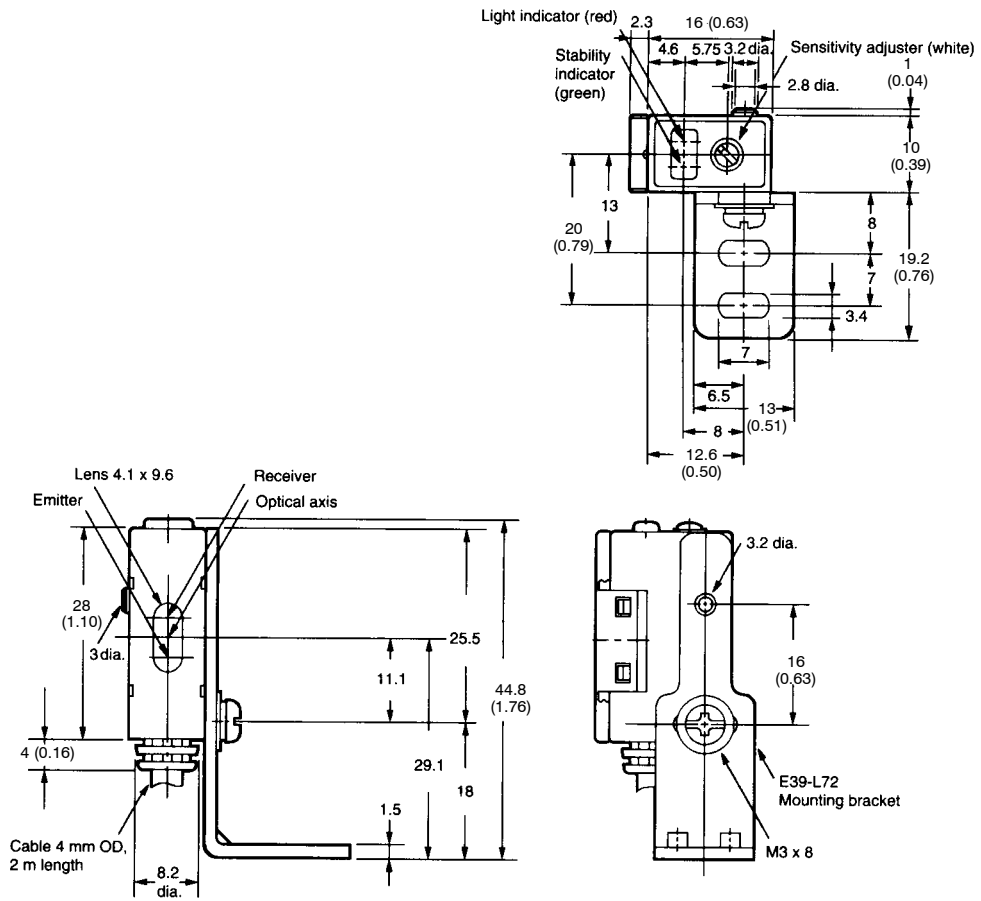
Receiver



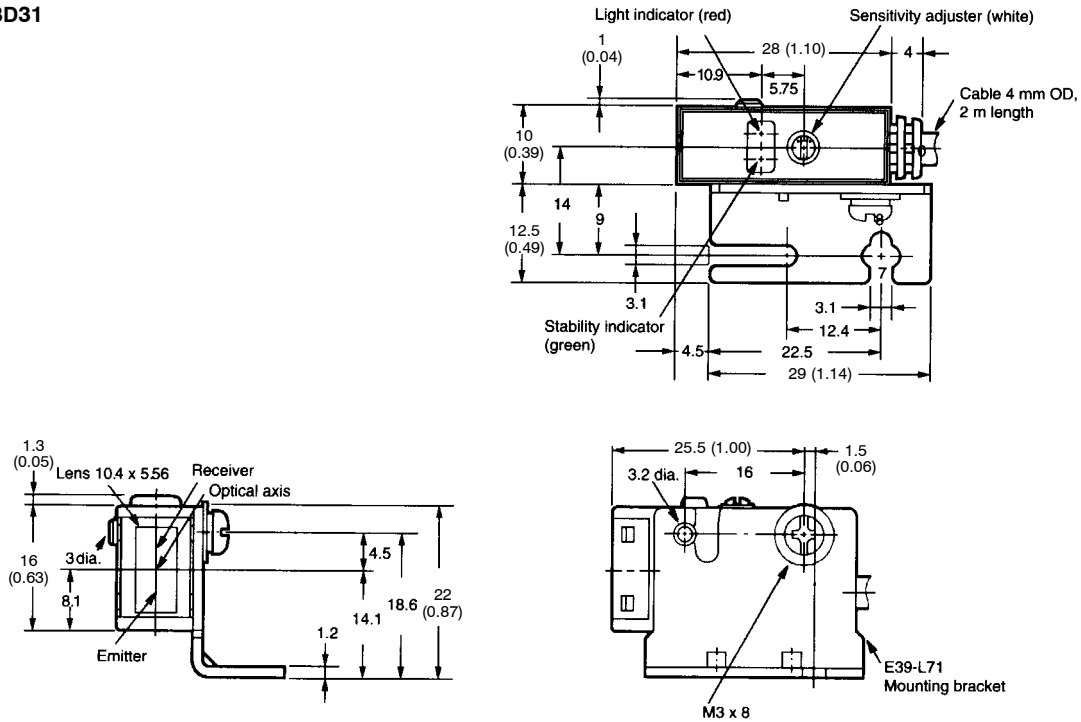
E3S-BR11
E3S-BR31



E3S-BR61
E3S-BR81

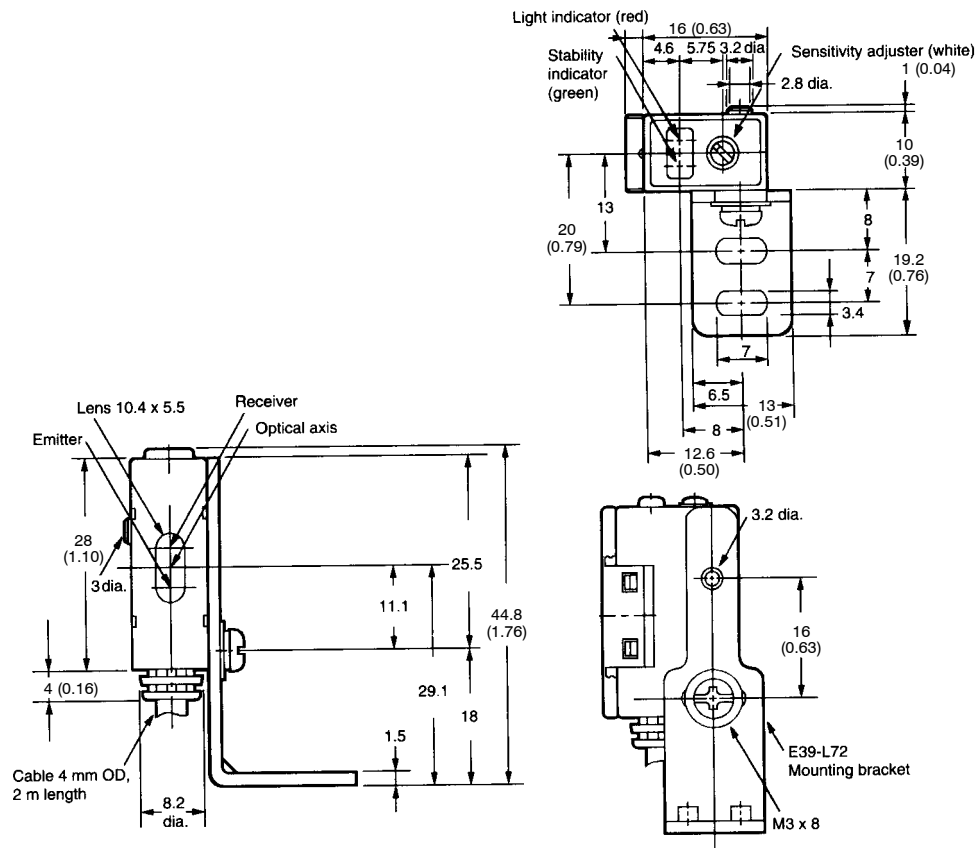


E3S-BD11
E3S-BD31



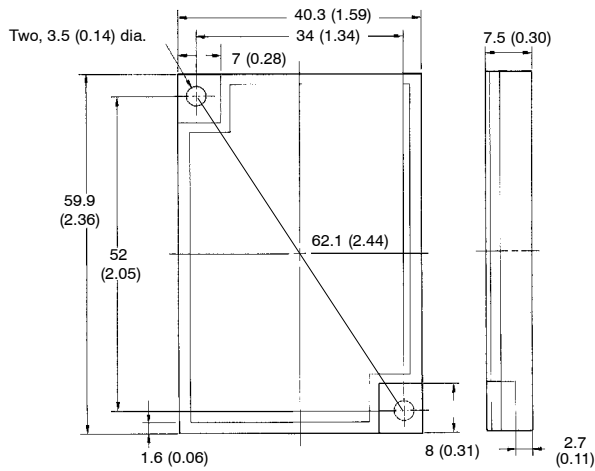
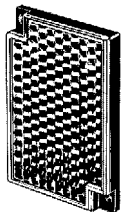
Unit: mm (inch)

E3S-BD61
E3S-BD81

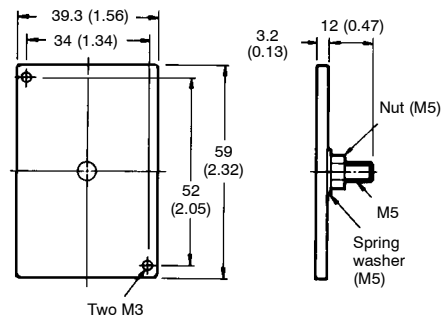


■ CORNER CUBE REFLECTORS

E39-R1 Reflector
(Included with E3S-AR□)

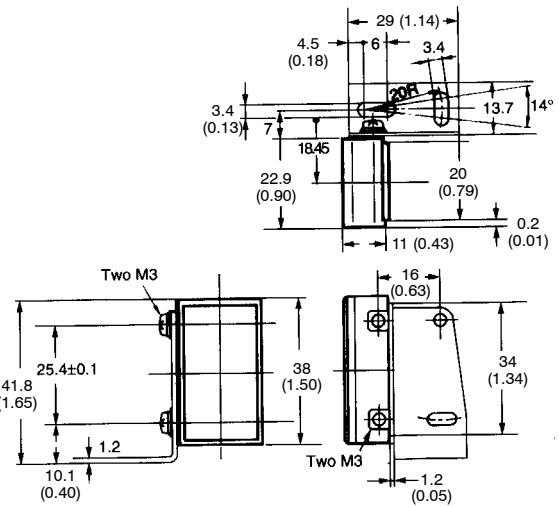
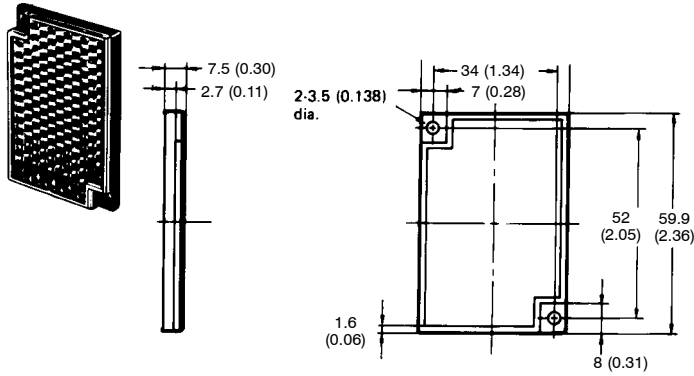


E39-L7 R1 Reflector Adapter
for E39-R1 Reflector
(Order Separately)

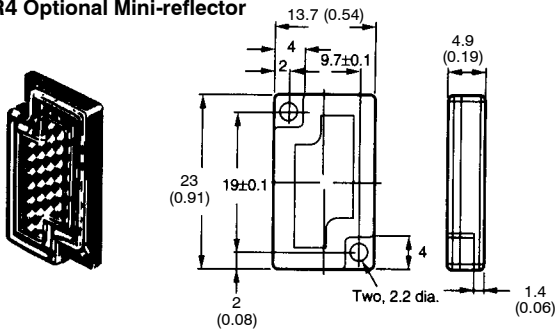


E39-R1 Reflector (Optional)

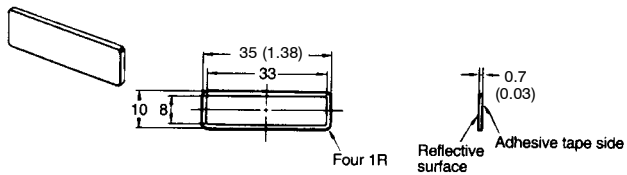
Dimensions with E39-L54 Mounting Bracket (included)



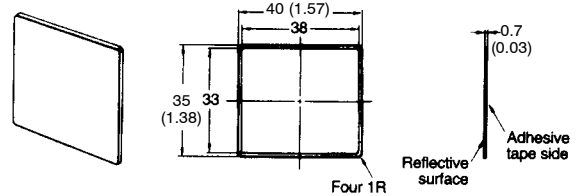
E39-R4 Optional Mini-reflector



E39-RSA Optional Adhesive-backed Reflector



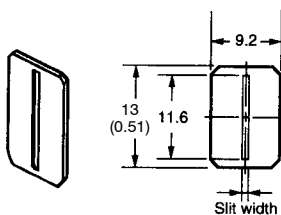
E39-RSB Optional Adhesive-backed Reflector



SLITS AND APERTURES FOR THROUGH-BEAM SENSORS

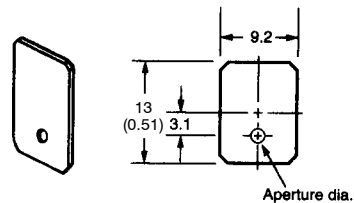
E39-S47 Slit Set

The kit includes two sets each of 0.5 mm, 1 mm and 2 mm slits. Mount the adhesive-backed slit to the lens of both emitter and receiver. Use the same slit size on both emitter and receiver for best results.



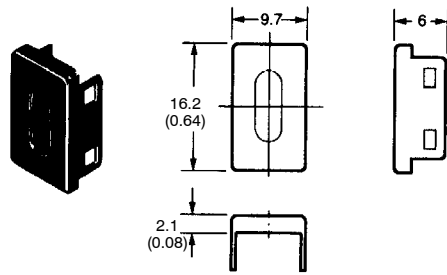
E39-S48 Aperture Set

The kit includes two sets each of 0.5 mm, 1 mm and 2 mm diameter apertures. Mount the adhesive-backed aperture to the lens of both the emitter and receiver. Use the same aperture size on both emitter and receiver for best results.



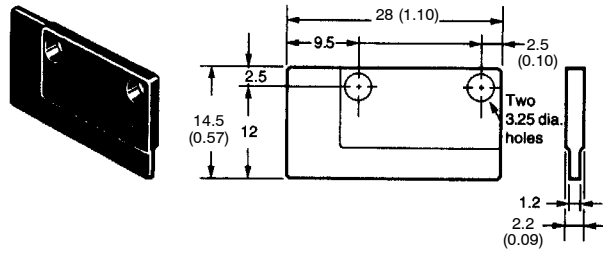
■ MUTUAL INTERFERENCE FILTER

E39-E8



■ MOUNTING ADAPTER PLATE

E39-L61



Operation

■ SENSITIVITY ADJUSTMENT

Unlike conventional photoelectric sensors, the variation in the sensitivity of E3S photoelectric sensors is minimal. This means the sensitivity can be adjusted on only a single photoelectric sensor, and then the adjusters on the other photoelectric sensors can be set to the same scale position. There is no need to adjust the sensitivity of each photoelectric sensor individually.

Steps	Step 1	Step 2	Step 3
Function	Determine Position A	Determine Position B	Adjust to optimum setting
Sensing condition			
Sensitivity adjuster			
Indicators	OFF STABILITY (green) ON LIGHT (red)	OFF STABILITY (green) OFF LIGHT (red)	ON STABILITY (green) OFF LIGHT (red)
	Place target at the desired sensing distance. Set sensitivity adjuster to the minimum scale position and gradually increase sensitivity by turning the sensitivity adjuster clockwise until the Light Incident indicator (red LED) turns ON. Position A designates the point at which the LED has turned ON.	Remove the target. Starting from the maximum scale position, gradually decrease sensitivity by turning the sensitivity adjuster counterclockwise until the Light Incident indicator (red LED) is OFF. Position B designates the point at which the LED has turned OFF.	Set the sensitivity indicator to the position between Positions A and B (in some cases, Positions A and B are opposite of the above example). The photoelectric sensor will then work normally if the stability indicator (green) is lit with and without the target. If it is not lit, stable operation cannot be expected, in which case a different detection method should be applied.

NOTE: DIMENSIONS SHOWN ARE IN MILLIMETERS. To convert millimeters to inches divide by 25.4.

OMRON[®]

OMRON ELECTRONICS LLC

One East Commerce Drive
Schaumburg, IL 60173

1-800-55-OMRON

OMRON ON-LINE

Global - <http://www.omron.com>
USA - <http://www.omron.com/oei>
Canada - <http://www.omron.com/oci>

OMRON CANADA, INC.

885 Milner Avenue
Scarborough, Ontario M1B 5V8

416-286-6465