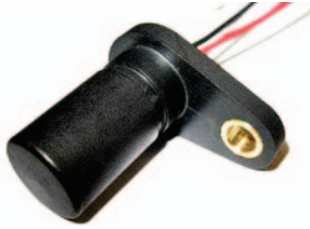


55505 Flange Mount Hall Effect Geartooth Sensor



Features

- Ferrous target sensing
- Internal circuit protection
- Protection against severe and automotive environments
- Self adjusting magnetic range
- Automotive grade circuit protection
- High speed operation
- Short circuit and reverse voltage protection
- On board 10 bit A/D converter

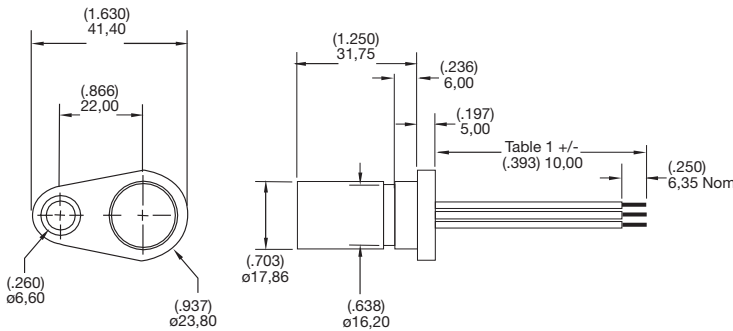
Benefits

- No chopper delay
- Rotational alignment to target not critical
- Immune to target run out

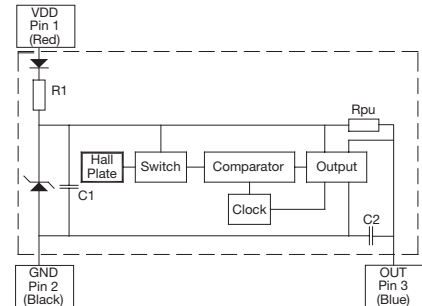
Applications

- Wheel, transmission and camshaft speed sensing
- Gear tooth sensor
- Rotary encoders
- Industrial
- Commercial
- Automotive

DIMENSIONS (in) mm



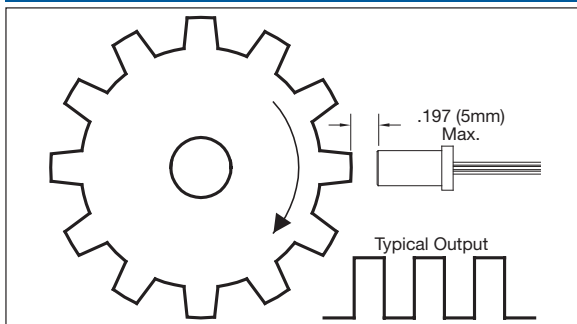
BLOCK DIAGRAM



SPECIFICATIONS

| SPECIFICATIONS | | | |
|----------------------------------|----------------------------|----------|---|
| Hall Type | | | Digital Switch 3 Wire (Voltage Output) |
| Supply Voltage | Operate | Vdc | 4.75 to 25.2 |
| Supply Voltage | Overvoltage Protection | Vdc-max. | 27 |
| Supply Voltage | Reverse Voltage Protection | Vdc-max. | -25 |
| Output High Voltage | | Vdc | VDD -2 (sinking output with internal pull-up) |
| Output Low Voltage | | Vdc-max. | 0.6 @ 25mA |
| Output Current (continuously on) | | mA-max. | 20 |
| Current Consumption | | mA-max. | 1 |
| Current Consumption | | mA-max. | 10.5 |
| Switching Speed | | kHz-max. | 15 |
| Temperature | Operating | °C | -40 to +125 |
| Temperature | Storage | °C | -65 to +125 |

APPLICATION EXAMPLE - Geartooth Sensor

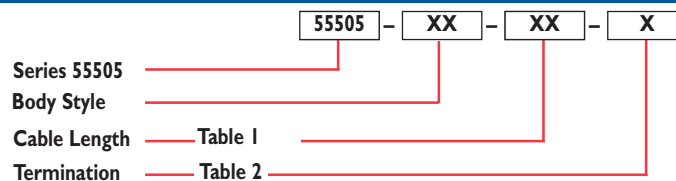


CUSTOMER OPTIONS - Cable Length and Termination

| TABLE 1 | |
|--|--------------|
| Cable Length:- (CABLE 20 AWG, XLPE) | |
| Type TXL per SAE J-1128 | |
| SELECT OPTION | LENGTH mm |
| 01 | (3,94) 100 |
| 02 | (11,81) 300 |
| 03 | (19,69) 500 |
| 04 | (29,53) 750 |
| 05 | (39,37) 1000 |

| TABLE 2 | | |
|------------------------------|------------------|--|
| Termination Options:- | | |
| SELECT OPTION | DESCRIPTION | |
| A | Tinned leads | |
| B | Deutsch DTM04-3P | |
| C | Molex MX 150 | |

ORDERING INFORMATION



Body Styles
 00 - Standard body
 01 - With O ring

Hamlin USA Tel: +1 920 648 3000 • Fax: +1 920 648 3001 • Email: sales.us@hamlin.com
Hamlin UK Tel: +44 (0)1379 649700 • Fax: +44 (0)1379 649702 • Email: sales.uk@hamlin.com
Hamlin Germany Tel: +49 (0) 6142 923920 • Fax: +49 (0) 6142 923921 • Email: sales.de@hamlin.com
Hamletrot France Tel: +33 (0) 1 4687 0202 • Fax: +33 (0) 1 4686 6786 • Email: sales.fr@hamlin.com

INFORMATION PROVIDED ON THIS DATA SHEET IS PROVIDED FOR INFORMATION PURPOSES ONLY AND SHOULD NOT BE RELIED UPON AS BEING ACCURATE FOR ANY PARTICULAR PURPOSE. Product performance may be affected by the application to which the product is applied. Upon request, HAMLIN will assist purchasers by providing information specific to any particular application. HAMLIN disclaims any and all liability whatsoever for any purchaser's reliance upon the information contained on this data sheet without further consultation with authorised representatives of HAMLIN.

