

## 55505 Flange Mount Hall Effect Geartooth Sensor



### Features

- Ferrous target sensing
- Internal circuit protection
- Protection against severe and automotive environments
- Self adjusting magnetic range
- Automotive grade circuit protection
- High speed operation
- Short circuit and reverse voltage protection
- On board 10 bit A/D convertor

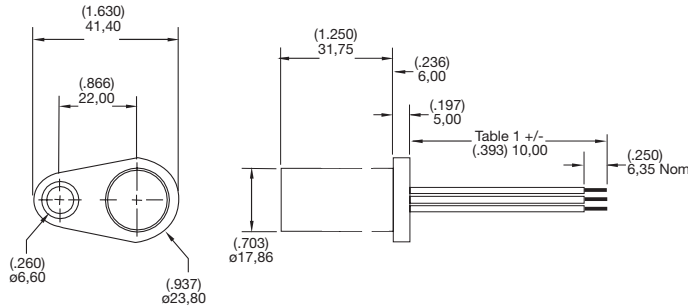
### Benefits

- No chopper delay
- Rotational alignment to target not critical
- Immune to target run out

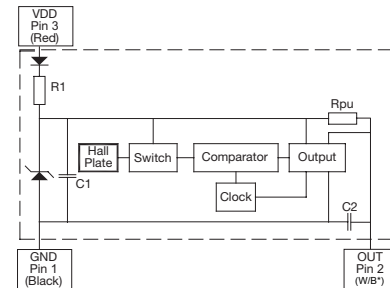
### Applications

- Wheel, transmission and camshaft speed sensing
- Gear tooth sensor
- Rotary encoders
- Industrial
- Commercial
- Automotive

### DIMENSIONS (in) mm



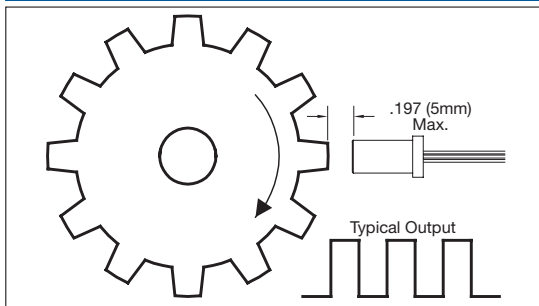
### BLOCK DIAGRAM



### SPECIFICATIONS

SPECIFICATIONS			
Hall Type			Digital Switch 3 Wire (Voltage Output)
Supply Voltage	Operate	Vdc	4.75 to 24
Supply Voltage	Overvoltage Protection	Vdc-max.	27
Supply Voltage	Reverse Voltage Protection	Vdc-max.	-25
Output High Voltage		Vdc	VDD -2 (sinking output with internal pull-up)
Output Low Voltage		Vdc-max.	0.6 @ 20mA
Output Current (continuously on)		mA-max.	20
Current Consumption		mA-max.	1
Current Consumption		mA-max.	10.5
Switching Speed		kHz-max.	15
Temperature	Operating	°C	-40 to +125
Temperature	Storage	°C	-65 to + 125

### APPLICATION EXAMPLE - Geartooth Sensor

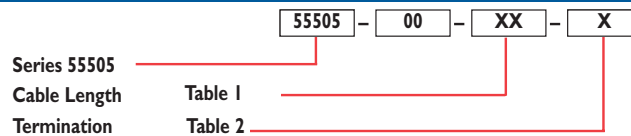


### CUSTOMER OPTIONS - Cable Length and Termination

TABLE 1	
Cable Length Options:- (Cable Type 20 AWG Type TXL per SAE J-1128)	
SELECT OPTION	LENGTH mm
01	(3,94) 100
02	(11,81) 300
03	(19,69) 500
04	(29,53) 750
05	(39,37) 1000

TABLE 2		
Termination Options:-		
SELECT OPTION	DESCRIPTION	
A	Tinned leads	
B	Deutsch DTM04-3P	
C	Molex MX 150	

### ORDERING INFORMATION



**Hamlin USA** Tel: +1 920 648 3000 • Fax: +1 920 648 3001 • Email: sales.us@hamlin.com  
**Hamlin UK** Tel: +44 (0)1379 649700 • Fax: +44 (0)1379 649702 • Email: sales.uk@hamlin.com  
**Hamlin Germany** Tel: +49 (0) 6142 923920 • Fax: +49 (0) 6142 923921 • Email: sales.de@hamlin.com  
**Hamectrol France** Tel: +33(0) 1 6047 3000 • Fax: +33(0) 1 6015 9136 • Email: sales.fr@hamlin.com

Issue No: A C Date: 08.01.09 DCR B6063

INFORMATION PROVIDED ON THIS DATA SHEET IS PROVIDED FOR INFORMATION PURPOSES ONLY AND SHOULD NOT BE RELIED UPON AS BEING ACCURATE FOR ANY PARTICULAR PURPOSE. Product performance may be affected by the application to which the product is put. Upon request, HAMLIN will assist purchasers by providing information specific to any particular application. HAMLIN disclaims any and all liability whatsoever for any purchaser's reliance upon the information contained on this data sheet without further consultation with authorised representatives of HAMLIN.