

CATALOG LISTING 3G401  
 ISSUE 3  
 P.T.C./CAD  
 DRAWN WJC  
 21 NOV 87  
 CHECK

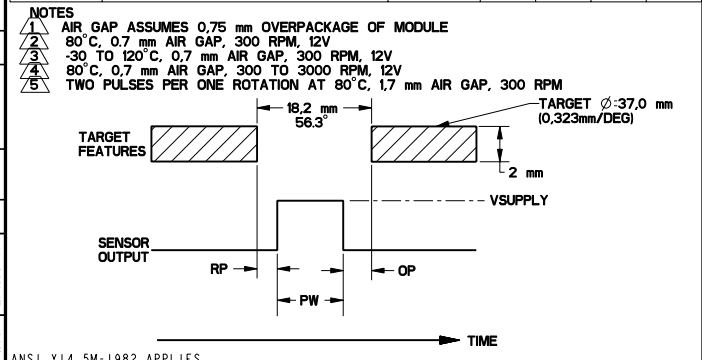
**MICRO SWITCH**  
 a Honeywell Division  
 FED. MFG. CODE 91929

**15C GEARTOOTH SENSOR**

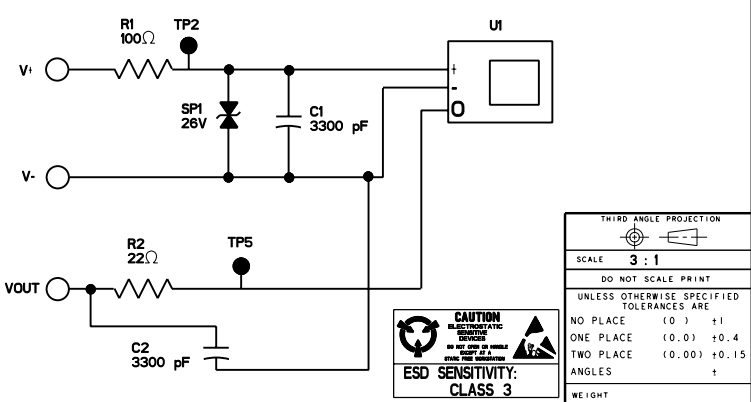
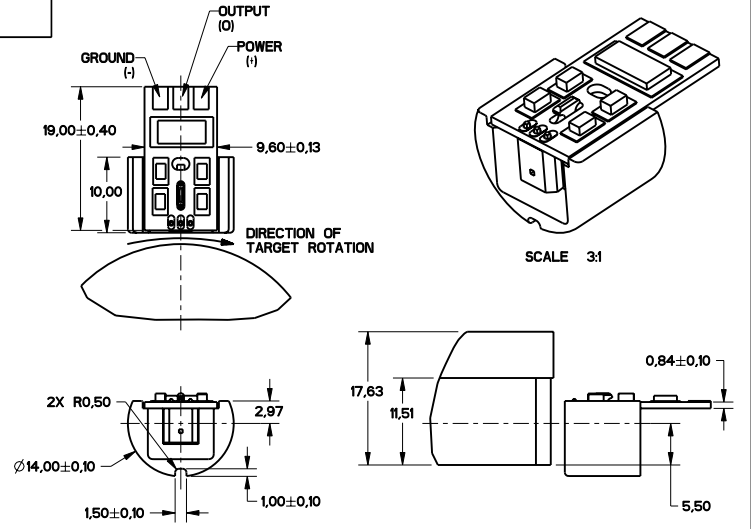
CATALOG LISTING  
**3GC401**

PRELIMINARY OPERATING SPECIFICATIONS

| PARAMETER             | CONDITION                                | DESIGN |       |      | UNITS |      |
|-----------------------|--|--------|-------|------|-------|------|
|                       |  | MIN.   | NOM.  | MAX. |       |      |
| AG                    | AIR GAP                                  | 1      | .30   | .70  | 1.10  | mm   |
| AGm                   | AIR GAP MAX.                             | 5      |       |      | 1.70  | mm   |
| Ta                    | TEMPERATURE                              |        | -40   |      | 130   | °C   |
| St                    | TARGET SPEED                             |        | 0     |      | 4000  | RPM  |
| OP                    | OPERATE                                  | 2      | -8.9  | -5.2 | -15   | DEG. |
| RP                    | RELEASE                                  | 2      | 2.4   | 6.1  | 9.8   | DEG. |
| PW                    | PULSE WIDTH                              | 2      | 37.6  | 45.0 | 52.4  | DEG. |
| Vs                    | SUPPLY VOLTAGE                           |        | 6.0   |      | 16.0  | VDC  |
| Vmax                  | SUPPLY VOLTAGE MAX.                      |        |       |      | 24.0  | VDC  |
| I                     | SUPPLY CURRENT                           |        |       |      | 20.0  | mA   |
| Is                    | SINK CURRENT                             |        |       |      | 10.0  | mA   |
| Tr                    | RISE TIME (R1-KΩ)                        |        |       |      | 18    | uSec |
| Tf                    | FALL TIME                                |        |       |      | f     | uSec |
| Vce(sat)              | VOLTAGE COLLECTOR<br>EMITTER (SATURATED) |        |       |      | 600   | mV   |
| Iceo                  | LEAKAGE CURRENT (OFF)                    |        |       |      | 20    | uA   |
| OPt                   | OPERATE OVER TEMP.                       | 3      | -11.4 | -5.2 | 1.0   | DEG. |
| RPt                   | RELEASE OVER TEMP.                       | 3      | 0.1   | 6.1  | 12.3  | DEG. |
| PWt                   | PULSE WIDTH OVER TEMP.                   | 3      | 32.6  | 45.0 | 57.4  | DEG. |
| DELTA OPs             | DELTA OPERATE OVER SPEED                 | 4      | 0.0   |      | 0.9   | DEG. |
| DELTA RP <sub>s</sub> | DELTA RELEASE OVER SPEED                 | 4      | 0.0   |      | 15    | DEG. |



THIS DRAWING COVERS A PROPRIETARY ITEM AND IS THE PROPERTY OF MICRO SWITCH, A DIVISION OF HONEYWELL. THIS DRAWING IS NOT TO BE COPIED OR USED WITHOUT THE APPROVAL OF MICRO SWITCH



ANSI Y14.5M-1982 APPLIES