

**ABSOLUTE MAXIMUM RATINGS** <sup>(1)</sup>

SUPPLY VOLTAGE	+30V CONTINUOUS
VOLTAGE EXTERNALLY APPLIED TO OUTPUT	-0.5 TO +30V (OUTPUT HIGH)
OUTPUT CURRENT	40 mA SINKING

**RECOMMENDED OPERATING CONDITIONS**

PARAMETER	CONDITIONS	MIN	TYP	MAX	UNITS
OPERATING TEMPERATURE		-40		+150	°C
SUPPLY VOLTAGE		4.5		24	VDC
SUPPLY CURRENT I <sub>cc</sub>			10	20	mA
V <sub>sat</sub>	LOW OUTPUT			.4	VDC
OUTPUT CURRENT	LOW OUTPUT			20	mA
OUTPUT LEAKAGE CURRENT	HIGH OUTPUT			10	μA
RISE TIME	10% TO 90%			15	μS
FALL TIME	90% TO 10%			1.0	μS

**OPERATING SPECIFICATIONS** <sup>(1)</sup> <sup>(2)</sup>

	LIMIT	CONDITIONS	UNITS
(4) OPERATE	3.3° ± 1.25°	AIR GAP 0.13 - 2.03	mm
(5) RELEASE	4.4° ± 2.5°	VSUPPLY 4.5 - 24 TEMP -40 TO 150 RPM 10 TO 5000	VOLTS DEG. C

**1GT101DC**

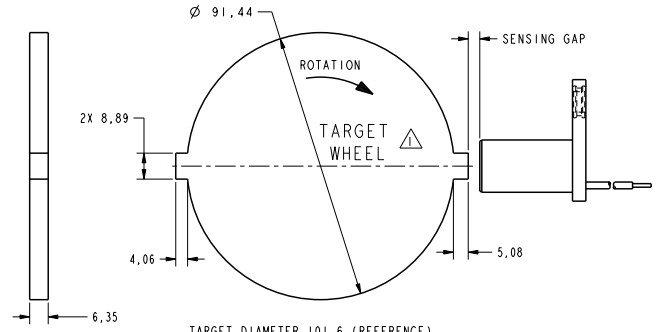
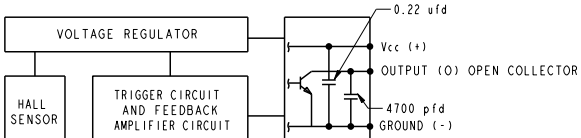
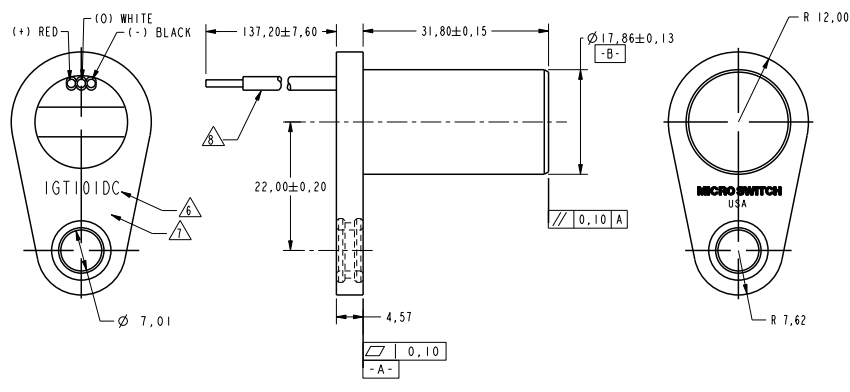


FIGURE 1



BLOCK DIAGRAM SHOWING CURRENT SINKING OUTPUT

- NOTES**
- (1) TARGET SHOULD BE MADE OF GOOD MAGNETIC MATERIAL (C-1018), ANNEAL AFTER MACHINING OR FORMING
  - (2) MAXIMUM LIMITS THAT SWITCH WILL WITHSTAND WITHOUT DAMAGE
  - (3) OPERATING SPECIFICATION IS BASED ON TARGET SHOWN IN FIGURE 1 AND WILL VARY WITH TARGET GEOMETRY
  - (4) OPERATE (DEGREES) IS THE ANGULAR DISTANCE FROM THE LEADING EDGE OF THE TOOTH TO THE CENTERLINE OF THE SENSOR
  - (5) RELEASE (DEGREES) IS THE ANGULAR DISTANCE FROM THE TRAILING EDGE OF THE TOOTH TO THE CENTERLINE OF THE SENSOR
  - (6) MICRO SWITCH PART # 1GT101DC THIS AREA
  - (7) DATE CODE YYWW THIS AREA
  - (8) 22 GAUGE WIRE, CROSSLINKED POLYETHYLENE INSULATION
  - (9) ELECTRICAL CHARACTERISTICS GUARANTEED WITH MAX EXTERNAL LOAD CAPACITANCE < 550 pfd
  - (10) OPERATING TEMPERATURE APPLIES TO SENSOR ONLY, WIRE IS RATED TO 135°C
  - (11) RoHS COMPLIANT



THIRD ANGLE PROJECTION	DO NOT SCALE PRINT
SCALE 2:1	UNLESS OTHERWISE SPECIFIED TOLERANCES ARE
ONE PLACE ( .01 )	±.030
TWO PLACES ( .00 )	±.015
THREE PLACES ( .000 )	±.005
ANGLES	±
WEIGHT	

THIS DRAWING COVERS A PROPRIETARY ITEM AND IS THE PROPERTY OF MICRO SWITCH, A DIVISION OF HONEYWELL. THIS DRAWING IS NOT TO BE COPIED OR USED WITHOUT THE APPROVAL OF MICRO SWITCH.

<b>MICRO SWITCH</b> a Honeywell Division	<b>GEARTOOTH SENSOR</b>	CATALOG LISTING <b>1GT101DC</b>
---	-------------------------	------------------------------------

FED. MFG. CODE 91829

ANSI Y14.5M-1982 APPLIES