

ELECTRICAL CHARACTERISTICS

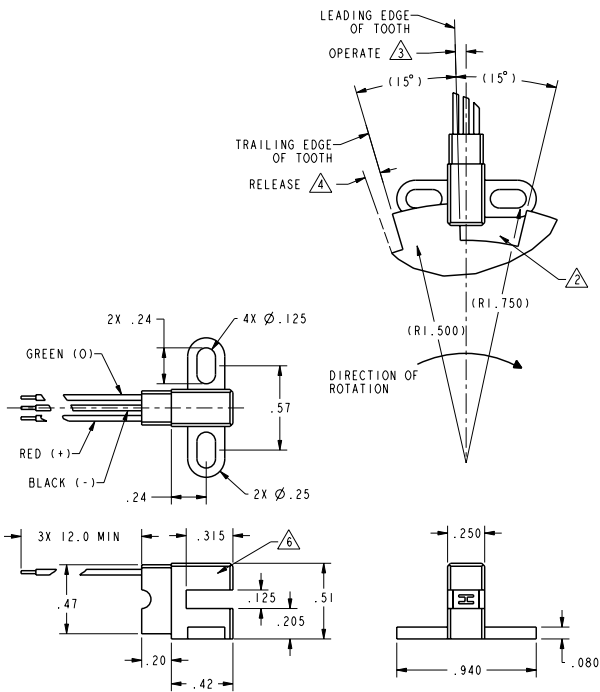
SPECIFIED VOLTAGE RANGE	CONDITION	
		3.8 TO 30 VDC
MAX Ioff	Vcc=30V, Isink=20mA, -20°C<T<+85°C, B>MAX OP	9.0 mA
MAX Ion	Vcc=30V, Isink=20mA, -20°C<T<+85°C, B>MAX OP	10.0 mA
RATED SINK CURRENT		20 mA
MAX Vsat	Vcc=3.8V, Isink=20mA, B>MAX OP	0.4 V
MAX LEAKAGE CURRENT	Vout=30V, Vcc=24V, B<MIN REL	10 μA
RISE TIME 10% TO 90%	T=25°C, Vcc=12V, R2=1.6 KΩ, C2=20pf	1.5 μS
FALL TIME 90% TO 10%	T=25°C, Vcc=12V, R2=1.6 KΩ, C2=20pf	1.5 μS

OPERATING SPECIFICATION

	LIMIT	CONDITIONS
OPERATE	1.5°±2.0°	TARGET ENGAGEMENT .150 TO .300 RPM 0 TO 5000 SLOT DEPTH .250 MIN
RELEASE	3.0°±2.5°	

ABSOLUTE MAXIMUM RATINGS

TEMPERATURE	-20°C TO +85°C
SUPPLY VOLTAGE (Vs)	3.8 VDC TO 30 VDC
VOLTAGE EXTERNALLY APPLIED TO OUTPUT	-0.5 TO +30 VDC
OUTPUT CURRENT	50 mA
MAGNETIC FLUX	NO LIMIT, CIRCUIT CANNOT BE DAMAGED BY MAGNETIC OVERDRIVE



NOTES

- 1 - MOUNTING SPECIFICATION: NON-FERROUS #4 MACHINE HEAD SCREWS WITH .25 OD WASHERS TORQUED TO 3-5 INCH LBS.
- 2 - SUGGESTED TARGET CONFIGURATION, MATERIAL: .045 LOW CARBON STEEL, HIGH PERMEABILITY, LOW RESIDUAL INDUCTION
- 3 - OPERATE (DEGREES) IS THE ANGULAR DISTANCE FROM THE LEADING EDGE OF THE TOOTH TO THE CENTERLINE OF THE SENSOR
- 4 - RELEASE (DEGREES) IS THE ANGULAR DISTANCE FROM THE TRAILING EDGE OF THE TOOTH TO THE CENTERLINE OF THE SENSOR
- 5 - OPERATING SPECIFICATION IS BASED ON TARGET SHOWN AND WILL VARY WITH TARGET GEOMETRY
- 6 - HONEYWELL PART NUMBER AND DATE CODE, ANY SURFACE



UNLESS OTHERWISE SPECIFIED TOLERANCES ARE: <input checked="" type="checkbox"/> DECIMAL <input type="checkbox"/> FRACTION	DRAWN	LJK	28NOV00	Honeywell Sensing and Control
NO PLACE .x ±.040 ±.1 ONE PLACE .x ±.030 ±0.4 TWO PLACE .xx ±.015 ±0.15 THREE PLACE .xxx ±.005 ±.1 ANGLES ±.1 RAW MATERIAL-COMMERCIAL STANDARD	CHECK	SAV	28NOV00	
THIRD ANGLE PROJECTION	THIS DRAWING COVERS A PROPRIETARY ITEM AND IS THE PROPERTY OF HONEYWELL SENSING AND CONTROL. THIS DRAWING IS NOT TO BE COPIED OR USED WITHOUT THE PERMISSION OF HONEYWELL.			TITLE
	DIMENSIONS ARE TO BE MET BEFORE PROTECTIVE COATINGS ARE APPLIED			VANE SENSOR (MAGNETIC),
	3D PTC	ASME Y14.5M-1994	SCALE 2 : 1	SIZE DWG TYPE DRAWING NAME REV C M SR17C-J6 5
			WEIGHT	SHEET 1 OF 1