

REV	DOCUMENT	CHANGED BY	CHECK
1	DR-5299-5	SAV 21DEC99	JAF
2	CO-96056	SAV 13 MAR 00	SAV
3	PR-24412	TSM 15MAR00	SAV
4	201747	LJK 21NOV00	SAV

ELECTRICAL CHARACTERISTICS

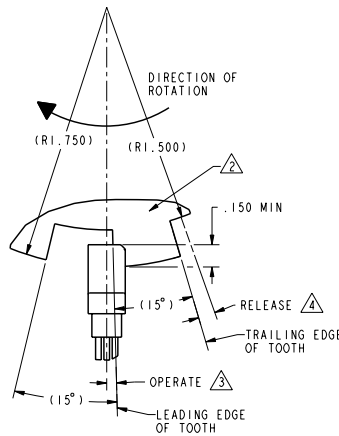
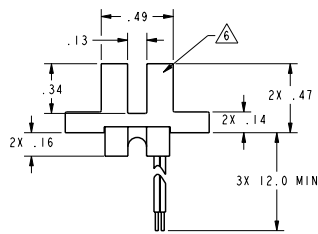
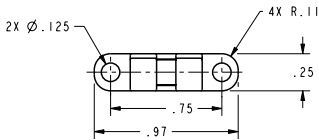
	CONDITION	
SPECIFIED VOLTAGE RANGE		3.8 TO 30 VDC
MAX I _{off}	V _{cc} =30V, I _{sink} =20mA, -20°C<T<85°C, B=MAX OP	9.0 mA
MAX I _{on}	V _{cc} =30V, I _{sink} =20mA, -20°C<T<85°C, B=MAX OP	10.0 mA
RATED SINK CURRENT		20 mA
MAX V _{sat}	V _{cc} =3.8V, I _{sink} =20mA, B=MAX OP	0.4 V
MAX LEAKAGE CURRENT	V _{out} =30V, V _{cc} =24V, B<MIN REL	10 μA
RISE TIME 10% TO 90%	T=25°C, V _{cc} =12V, R ₂ =1.6 KΩ, C ₂ =20pf	1.5 μS
FALL TIME 90% TO 10%	T=25°C, V _{cc} =12V, R ₂ =1.6 KΩ, C ₂ =20pf	1.5 μS

OPERATING SPECIFICATIONS

	LIMIT	CONDITIONS
OPERATE	1.5°±2.0°	TARGET ENGAGEMENT .150 TO .300 RPM 0 TO 5000
RELEASE	3.0°±2.5°	SLOT DEPTH .250 MIN

ABSOLUTE MAXIMUM RATINGS

TEMPERATURE	-20°C TO +85°C
SUPPLY VOLTAGE (V _s)	3.8 VDC TO 30 VDC
VOLTAGE EXTERNALLY APPLIED TO OUTPUT	-0.5 TO +30 VDC
OUTPUT CURRENT	50 mA
MAGNETIC FLUX	NO LIMIT, CIRCUIT CANNOT BE DAMAGED BY MAGNETIC OVERDRIVE



NOTES

- 1 - MOUNTING SPECIFICATION: NON-FERROUS #4 MACHINE HEAD SCREWS WITH .25 OD WASHERS TORQUED TO 3-5 INCH LBS.
- 2 - SUGGESTED TARGET CONFIGURATION, MATERIAL: .045 LOW CARBON STEEL, HIGH PERMEABILITY, LOW RESIDUAL INDUCTION
- 3 - OPERATE (DEGREES) IS THE ANGULAR DISTANCE FROM THE LEADING EDGE OF THE TOOTH TO THE CENTERLINE OF THE SENSOR
- 4 - RELEASE (DEGREES) IS THE ANGULAR DISTANCE FROM THE TRAILING EDGE OF THE TOOTH TO THE CENTERLINE OF THE SENSOR
- 5 - OPERATING SPECIFICATION IS BASED ON TARGET SHOWN AND WILL VARY WITH TARGET GEOMETRY
- 6 - HONEYWELL PART NUMBER AND DATE CODE, ANY SURFACE



UNLESS OTHERWISE SPECIFIED TOLERANCES ARE:	<input checked="" type="checkbox"/> DECIMAL	<input type="checkbox"/> FRACTIONAL	DRAWN	SAV	21DEC99
NO PLACE	X	±.040 ±.1	CHECK	JAF	21DEC99
ONE PLACE	.X	±.030 ±0.4	THIS DRAWING COVERS A PROPRIETARY ITEM AND IS THE PROPERTY OF HONEYWELL SENSING AND CONTROL. THIS DRAWING IS NOT TO BE COPIED OR USED WITHOUT THE PERMISSION OF HONEYWELL.		
TWO PLACE	.XX	±.015 ±0.15	DIMENSIONS ARE TO BE MET BEFORE PROTECTIVE COATINGS ARE APPLIED		
THREE PLACE	.XXX	±.005 ±	3D PTC	ASME Y14.5M-1994	SCALE 2 : 1
ANGLES	±	±			
RAW MATERIAL-COMMERCIAL STANDARD					

Honeywell	
Sensing and Control	
TITLE VANE SENSOR (MAGNETIC)	
SIZE	DWG TYPE
C	M
DRAWING NAME	REV
SR16C-J6	4
WEIGHT	SHEET 1 OF 1