

MAGNETIC CHARACTERISTICS

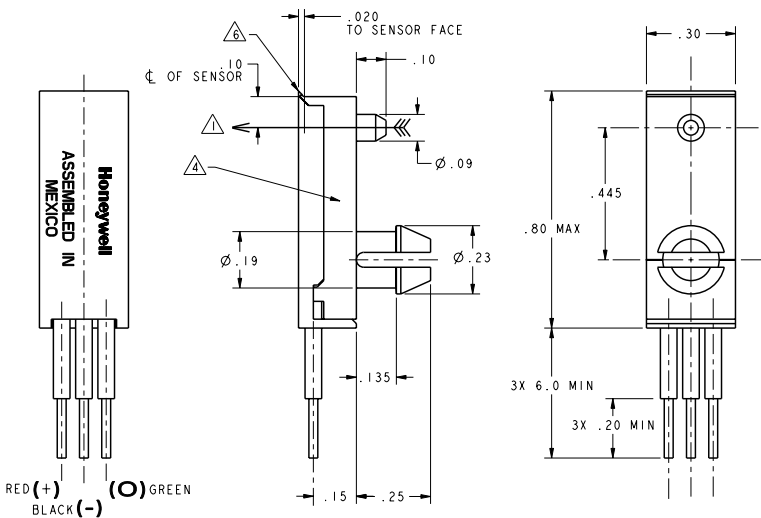
TEMPERATURE RANGE	25°C	-20°C TO 85°C
OPERATING GAUSS MAX	180	215
RELEASE GAUSS MIN	75	60
DIFFERENTIAL GAUSS MIN	25	10

ELECTRICAL CHARACTERISTICS -40 TO 125°C 4.5 TO 24 VDC

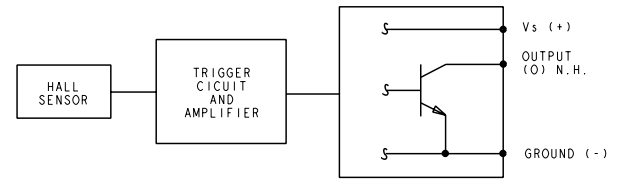
	MINIMUM	MAXIMUM
SUPPLY CURRENT		13 mA
OUTPUT VOLTAGE (ON) (SINKING 10 mA)		0.4 VOLTS
VOLTAGE APPLIED TO OUTPUT (OFF)		24 VOLTS
OUTPUT CURRENT MAX		20 mA
OUTPUT LEAKAGE CURRENT (OFF)		5 µA
OUTPUT SWITCHING TIME		
RISE TIME (10% TO 90%)		1.5 µS
FALL TIME (90% TO 10%)		1.5 µS

ABSOLUTE MAXIMUM RATINGS

TEMPERATURE	-40°C TO +150°C
SUPPLY VOLTAGE	-1 VDC TO 25 VDC
VOLTAGE EXTERNALLY APPLIED TO OUTPUT	25 VDC WITH SWITCH IN OFF COND. ONLY -0.5 VDC WITH SWITCH IN ON OR OFF COND.
OUTPUT CURRENT	50 mA
MAGNETIC FLUX	NO LIMIT



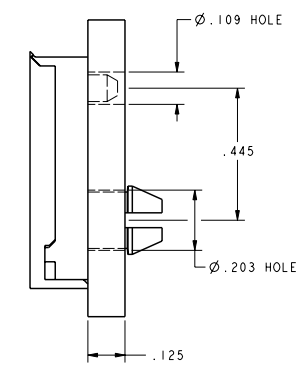
RED (+)
BLACK (-) (O) GREEN



BLOCK DIAGRAM CURRENT SINKING OUTPUT

NOTES

- 1 THE MAGNETIC FLUX USED TO OPERATE THE SWITCH MUST BE IN THE DIRECTION AND LOCATION SHOWN (THIS ASSUMES THE CONVENTION THAT THE DIRECTION OF THE EXTERNAL FLUX OF A MAGNET IS FROM THE NORTH TO THE SOUTH POLE OF THE MAGNET)
- 2 THE MAGNETIC FIELD STRENGTH (GAUSS) REQUIRED TO CAUSE THE SWITCH TO CHANGE STATE (OPERATE AND RELEASE) WILL BE AS SPECIFIED IN THE MAGNETIC CHARACTERISTICS. TO TEST THE SWITCH AGAINST THE SPECIFIED MAGNETIC CHARACTERISTICS THE SWITCH MUST BE PLACED IN A UNIFORM MAGNETIC FIELD
- 3 ABSOLUTE MAXIMUM RATINGS ARE NOT GUARANTEED AS THE MAXIMUM LIMITS (ABOVE RECOMMENDED OPERATING CONDITIONS) ARE APPROACHED NOR WILL THE DEVICE NECESSARILY OPERATE AT MAXIMUM RATING
- 4 DATE CODE (YYWW) AND PART NUMBER LOCATED IN THIS AREA
- 5 LEADWIRES ARE 24 GAUGE STRANDED
- 6 AFTER CLOSURE, HINGE BULGING IS ACCEPTABLE, BUT ANY JAGGED TEARING CAUSING LARGE SEPARATIONS GREATER THAN .010 IS UNACCEPTABLE



SUGGESTED MOUNTING DETAIL



THIS DRAWING COVERS A PROPRIETARY ITEM AND IS THE PROPERTY OF MICRO SWITCH, A DIVISION OF HONEYWELL. THIS DRAWING IS NOT TO BE COPIED OR USED WITHOUT THE APPROVAL OF MICRO SWITCH.

MICRO SWITCH
a Honeywell Division

MAGNETICALLY OPERATED HALL SENSOR

CATALOG LISTING
SR13C-A1

THIRD ANGLE PROJECTION		
SCALE	4 : 1	
DO NOT SCALE PRINT		
UNLESS OTHERWISE SPECIFIED TOLERANCES ARE		
ONE PLACE	(.01)	±.030
TWO PLACES	(.001)	±.015
THREE PLACES	(.0001)	±.005
ANGLES		±
WEIGHT		

ANSI Y14.5M-1982 APPLIES

SR13C-A1
REV 01
21MAY93
JUF