

# FSBB20CH60

## Smart Power Module

### Features

- UL Certified No.E209204(SPM27-CA package)
- Very low thermal resistance due to using DBC
- 600V-20A 3-phase IGBT inverter bridge including control ICs for gate driving and protection
- Divided negative dc-link terminals for inverter current sensing applications
- Single-grounded power supply due to built-in HVIC
- Isolation rating of 2500Vrms/min.

### Applications

- AC 100V ~ 253V three-phase inverter drive for small power ac motor drives
- Home appliances applications like air conditioner and washing machine.

### General Description

It is an advanced smart power module (SPM™) that Fairchild has newly developed and designed to provide very compact and high performance ac motor drives mainly targeting low-power inverter-driven application like air conditioner and washing machine. It combines optimized circuit protection and drive matched to low-loss IGBTs. System reliability is further enhanced by the integrated under-voltage lock-out and short-circuit protection. The high speed built-in HVIC provides optocoupler-less single-supply IGBT gate driving capability that further reduce the overall size of the inverter system design. Each phase current of inverter can be monitored separately due to the divided negative dc terminals.

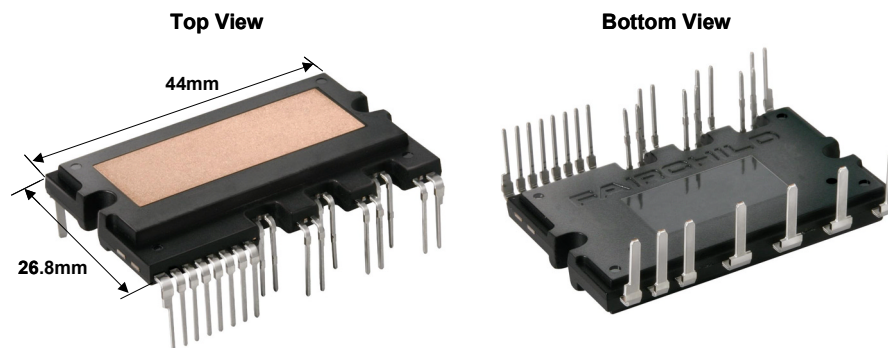


Figure 1.

## Integrated Power Functions

- 600V-20A IGBT inverter for three-phase DC/AC power conversion (Please refer to Figure 3)

## Integrated Drive, Protection and System Control Functions

- For inverter high-side IGBTs: Gate drive circuit, High voltage isolated high-speed level shifting  
Control circuit under-voltage (UV) protection  
Note) Available bootstrap circuit example is given in Figures 10 and 11.
- For inverter low-side IGBTs: Gate drive circuit, Short circuit protection (SC)  
Control supply circuit under-voltage (UV) protection
- Fault signaling: Corresponding to a UV fault (Low-side supply)
- Input interface: 3.3/5V CMOS/LSTTL compatible, Schmitt trigger input

## Pin Configuration

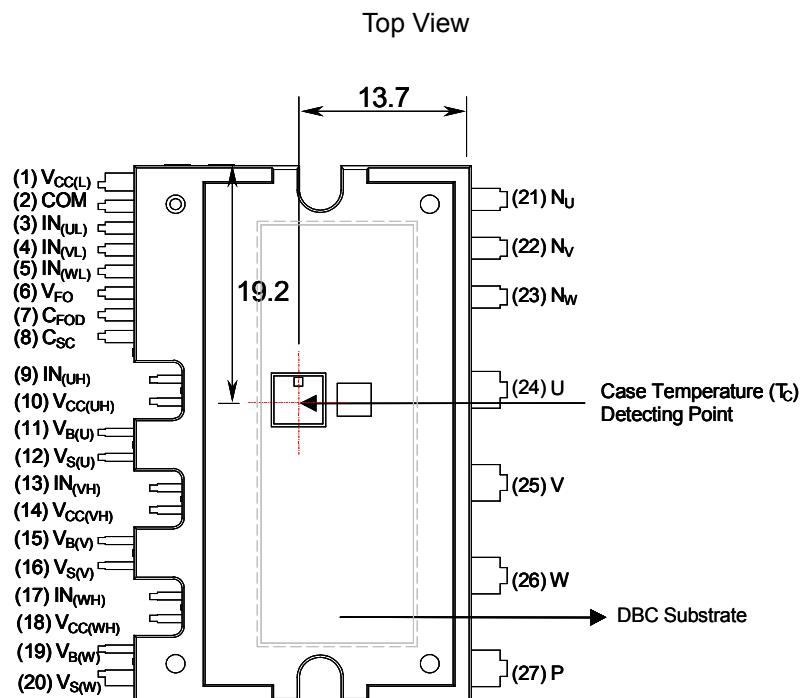
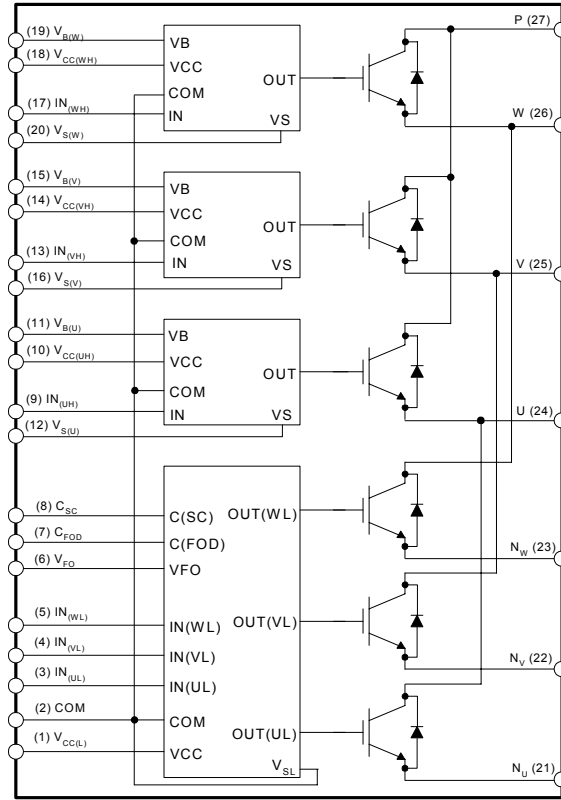


Figure 2.

## Pin Descriptions

Pin Number	Pin Name	Pin Description
1	$V_{CC(L)}$	Low-side Common Bias Voltage for IC and IGBTs Driving
2	COM	Common Supply Ground
3	$IN_{(UL)}$	Signal Input for Low-side U Phase
4	$IN_{(VL)}$	Signal Input for Low-side V Phase
5	$IN_{(WL)}$	Signal Input for Low-side W Phase
6	$V_{FO}$	Fault Output
7	$C_{FOD}$	Capacitor for Fault Output Duration Time Selection
8	$C_{SC}$	Capacitor (Low-pass Filter) for Short-Current Detection Input
9	$IN_{(UH)}$	Signal Input for High-side U Phase
10	$V_{CC(UH)}$	High-side Bias Voltage for U Phase IC
11	$V_{B(U)}$	High-side Bias Voltage for U Phase IGBT Driving
12	$V_{S(U)}$	High-side Bias Voltage Ground for U Phase IGBT Driving
13	$IN_{(VH)}$	Signal Input for High-side V Phase
14	$V_{CC(VH)}$	High-side Bias Voltage for V Phase IC
15	$V_{B(V)}$	High-side Bias Voltage for V Phase IGBT Driving
16	$V_{S(V)}$	High-side Bias Voltage Ground for V Phase IGBT Driving
17	$IN_{(WH)}$	Signal Input for High-side W Phase
18	$V_{CC(WH)}$	High-side Bias Voltage for W Phase IC
19	$V_{B(W)}$	High-side Bias Voltage for W Phase IGBT Driving
20	$V_{S(W)}$	High-side Bias Voltage Ground for W Phase IGBT Driving
21	$N_U$	Negative DC–Link Input for U Phase
22	$N_V$	Negative DC–Link Input for V Phase
23	$N_W$	Negative DC–Link Input for W Phase
24	U	Output for U Phase
25	V	Output for V Phase
26	W	Output for W Phase
27	P	Positive DC–Link Input

### Internal Equivalent Circuit and Input/Output Pins



**Note:**

1. Inverter low-side is composed of three IGBTs, freewheeling diodes for each IGBT and one control IC. It has gate drive and protection functions.
2. Inverter power side is composed of four inverter dc-link input terminals and three inverter output terminals.
3. Inverter high-side is composed of three IGBTs, freewheeling diodes and three drive ICs for each IGBT.

**Figure 3.**

## Absolute Maximum Ratings ( $T_J = 25^\circ\text{C}$ , Unless Otherwise Specified)

### Inverter Part

Symbol	Parameter	Conditions	Rating	Units
$V_{PN}$	Supply Voltage	Applied between P- $N_U$ , $N_V$ , $N_W$	450	V
$V_{PN(\text{Surge})}$	Supply Voltage (Surge)	Applied between P- $N_U$ , $N_V$ , $N_W$	500	V
$V_{CES}$	Collector-emitter Voltage		600	V
$\pm I_C$	Each IGBT Collector Current	$T_C = 25^\circ\text{C}$	20	A
$\pm I_{CP}$	Each IGBT Collector Current (Peak)	$T_C = 25^\circ\text{C}$ , Under 1ms Pulse Width	40	A
$P_C$	Collector Dissipation	$T_C = 25^\circ\text{C}$ per One Chip	61	W
$T_J$	Operating Junction Temperature	(Note 1)	-20 ~ 125	$^\circ\text{C}$

**Note:**

1. The maximum junction temperature rating of the power chips integrated within the SPM is  $150^\circ\text{C}$  ( $@T_C \leq 100^\circ\text{C}$ ). However, to insure safe operation of the SPM, the average junction temperature should be limited to  $T_{J(\text{ave})} \leq 125^\circ\text{C}$  ( $@T_C \leq 100^\circ\text{C}$ )

### Control Part

Symbol	Parameter	Conditions	Rating	Units
$V_{CC}$	Control Supply Voltage	Applied between $V_{CC(UH)}$ , $V_{CC(VH)}$ , $V_{CC(WH)}$ , $V_{CC(L)}$ - COM	20	V
$V_{BS}$	High-side Control Bias Voltage	Applied between $V_{B(U)}$ - $V_{S(U)}$ , $V_{B(V)}$ - $V_{S(V)}$ , $V_{B(W)}$ - $V_{S(W)}$	20	V
$V_{IN}$	Input Signal Voltage	Applied between $IN_{(UH)}$ , $IN_{(VH)}$ , $IN_{(WH)}$ , $IN_{(UL)}$ , $IN_{(VL)}$ , $IN_{(WL)}$ - COM	-0.3~17	V
$V_{FO}$	Fault Output Supply Voltage	Applied between $V_{FO}$ - COM	-0.3~ $V_{CC}+0.3$	V
$I_{FO}$	Fault Output Current	Sink Current at $V_{FO}$ Pin	5	mA
$V_{SC}$	Current Sensing Input Voltage	Applied between $C_{SC}$ - COM	-0.3~ $V_{CC}+0.3$	V

### Total System

Symbol	Parameter	Conditions	Rating	Units
$V_{PN(\text{PROT})}$	Self Protection Supply Voltage Limit (Short Circuit Protection Capability)	$V_{CC} = V_{BS} = 13.5 \sim 16.5\text{V}$ $T_J = 125^\circ\text{C}$ , Non-repetitive, less than $2\mu\text{s}$	400	V
$T_C$	Module Case Operation Temperature	$-20^\circ\text{C} \leq T_J \leq 125^\circ\text{C}$ , See Figure 2	-20 ~ 100	$^\circ\text{C}$
$T_{STG}$	Storage Temperature		-40 ~ 125	$^\circ\text{C}$
$V_{ISO}$	Isolation Voltage	60Hz, Sinusoidal, AC 1 minute, Connection Pins to ceramic substrate	2500	$V_{\text{rms}}$

### Thermal Resistance

Symbol	Parameter	Condition	Min.	Typ.	Max.	Units
$R_{th(j-c)Q}$	Junction to Case Thermal Resistance	Inverter IGBT part (per 1/6 module)	-	-	1.63	$^\circ\text{C}/\text{W}$
$R_{th(j-c)F}$		Inverter FWD part (per 1/6 module)	-	-	2.55	$^\circ\text{C}/\text{W}$

**Note:**

2. For the measurement point of case temperature( $T_C$ ), please refer to Figure 2.

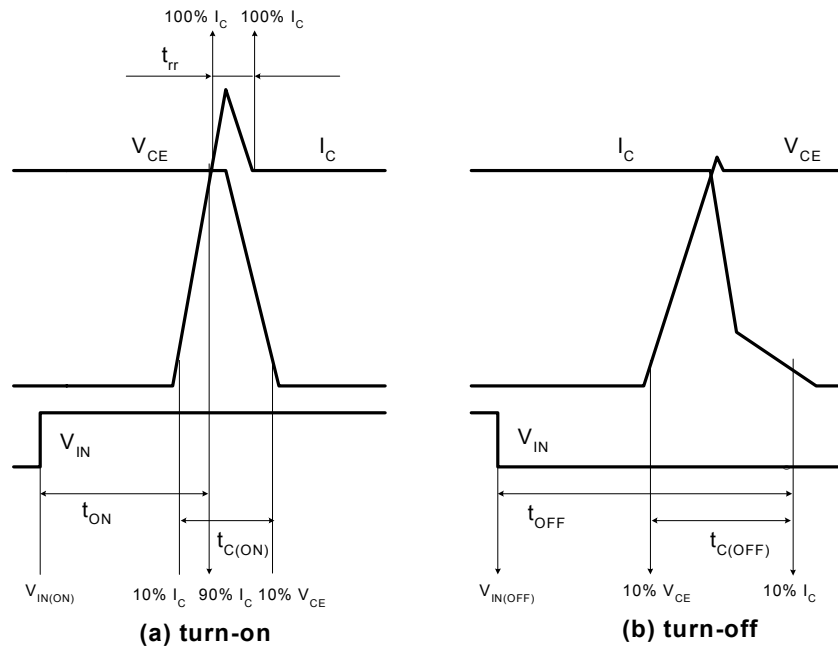
## Electrical Characteristics ( $T_J = 25^\circ\text{C}$ , Unless Otherwise Specified)

### Inverter Part

Symbol	Parameter	Conditions	Min.	Typ.	Max.	Units
$V_{CE(SAT)}$	Collector-Emitter Saturation Voltage	$V_{CC} = V_{BS} = 15\text{V}$ $V_{IN} = 5\text{V}$ $I_C = 20\text{A}, T_J = 25^\circ\text{C}$	-	-	2.3	V
$V_F$	FWD Forward Voltage	$V_{IN} = 0\text{V}$ $I_C = 20\text{A}, T_J = 25^\circ\text{C}$	-	-	2.1	V
HS	$t_{ON}$	Switching Times $V_{PN} = 300\text{V}, V_{CC} = V_{BS} = 15\text{V}$ $I_C = 20\text{A}$ $V_{IN} = 0\text{V} \leftrightarrow 5\text{V}$ , Inductive Load (Note 3)	-	0.48	-	$\mu\text{s}$
	$t_{C(ON)}$		-	0.30	-	$\mu\text{s}$
	$t_{OFF}$		-	0.93	-	$\mu\text{s}$
	$t_{C(OFF)}$		-	0.52	-	$\mu\text{s}$
	$t_{rr}$		-	0.10	-	$\mu\text{s}$
LS	$t_{ON}$	$V_{PN} = 300\text{V}, V_{CC} = V_{BS} = 15\text{V}$ $I_C = 20\text{A}$ $V_{IN} = 0\text{V} \leftrightarrow 5\text{V}$ , Inductive Load (Note 3)	-	0.63	-	$\mu\text{s}$
	$t_{C(ON)}$		-	0.30	-	$\mu\text{s}$
	$t_{OFF}$		-	1.01	-	$\mu\text{s}$
	$t_{C(OFF)}$		-	0.51	-	$\mu\text{s}$
	$t_{rr}$		-	0.10	-	$\mu\text{s}$
$I_{CES}$	Collector-Emitter Leakage Current	$V_{CE} = V_{CES}$	-	-	250	$\mu\text{A}$

**Note:**

3.  $t_{ON}$  and  $t_{OFF}$  include the propagation delay time of the internal drive IC.  $t_{C(ON)}$  and  $t_{C(OFF)}$  are the switching time of IGBT itself under the given gate driving condition internally. For the detailed information, please see Figure 4.



**Figure 4. Switching Time Definition**

## Electrical Characteristics (T<sub>J</sub> = 25°C, Unless Otherwise Specified)

### Control Part

Symbol	Parameter	Conditions	Min.	Typ.	Max.	Units
I <sub>QCCL</sub>	Quiescent V <sub>CC</sub> Supply Current	V <sub>CC</sub> = 15V IN <sub>(UL, VL, WL)</sub> = 0V	-	-	23	mA
I <sub>QCCH</sub>		V <sub>CC</sub> = 15V IN <sub>(UH, VH, WH)</sub> = 0V	-	-	100	μA
I <sub>QBS</sub>	Quiescent V <sub>BS</sub> Supply Current	V <sub>BS</sub> = 15V IN <sub>(UH, VH, WH)</sub> = 0V	-	-	500	μA
V <sub>FOH</sub>	Fault Output Voltage	V <sub>SC</sub> = 0V, V <sub>FO</sub> Circuit: 4.7kΩ to 5V Pull-up	4.5	-	-	V
V <sub>FOL</sub>		V <sub>SC</sub> = 1V, V <sub>FO</sub> Circuit: 4.7kΩ to 5V Pull-up	-	-	0.8	V
V <sub>SC(ref)</sub>	Short Circuit Trip Level	V <sub>CC</sub> = 15V (Note 4)	0.45	0.5	0.55	V
UV <sub>CCD</sub>	Supply Circuit Under-Voltage Protection	Detection Level	10.7	11.9	13.0	V
UV <sub>CCR</sub>		Reset Level	11.2	12.4	13.2	V
UV <sub>BSD</sub>		Detection Level	10.1	11.3	12.5	V
UV <sub>BSR</sub>		Reset Level	10.5	11.7	12.9	V
t <sub>FOD</sub>	Fault-out Pulse Width	C <sub>FOD</sub> = 33nF (Note 5)	1.0	1.8	-	ms
V <sub>IN(ON)</sub>	ON Threshold Voltage	Applied between IN <sub>(UH)</sub> , IN <sub>(VH)</sub> , IN <sub>(WH)</sub> , IN <sub>(UL)</sub> , IN <sub>(VL)</sub> , IN <sub>(WL)</sub> - COM	3.0	-	-	V
V <sub>IN(OFF)</sub>	OFF Threshold Voltage		-	-	0.8	V

**Note:**

4. Short-circuit current protection is functioning only at the low-sides.

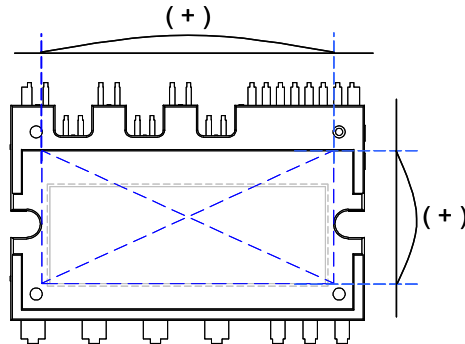
5. The fault-out pulse width t<sub>FOD</sub> depends on the capacitance value of C<sub>FOD</sub> according to the following approximate equation : C<sub>FOD</sub> = 18.3 x 10<sup>-6</sup> x t<sub>FOD</sub>[F]

### Recommended Operating Conditions

Symbol	Parameter	Conditions	Value			Units
			Min.	Typ.	Max.	
V <sub>PN</sub>	Supply Voltage	Applied between P - N <sub>U</sub> , N <sub>V</sub> , N <sub>W</sub>	-	300	400	V
V <sub>CC</sub>	Control Supply Voltage	Applied between V <sub>CC(UH)</sub> , V <sub>CC(VH)</sub> , V <sub>CC(WH)</sub> , V <sub>CC(L)</sub> - COM	13.5	15	16.5	V
V <sub>BS</sub>	High-side Bias Voltage	Applied between V <sub>B(U)</sub> - V <sub>S(U)</sub> , V <sub>B(V)</sub> - V <sub>S(V)</sub> , V <sub>B(W)</sub> - V <sub>S(W)</sub>	13.0	15	18.5	V
DV <sub>CC</sub> /Dt, DV <sub>BS</sub> /Dt	Control supply variation		-1	-	1	V/μs
t <sub>dead</sub>	Blanking Time for Preventing Arm-short	For Each Input Signal	2.5	-	-	μs
f <sub>PWM</sub>	PWM Input Signal	-20°C ≤ T <sub>C</sub> ≤ 100°C, -20°C ≤ T <sub>J</sub> ≤ 125°C	-	-	20	kHz
V <sub>SEN</sub>	Voltage for Current Sensing	Applied between N <sub>U</sub> , N <sub>V</sub> , N <sub>W</sub> - COM (Including surge voltage)	-4		4	V

### Mechanical Characteristics and Ratings

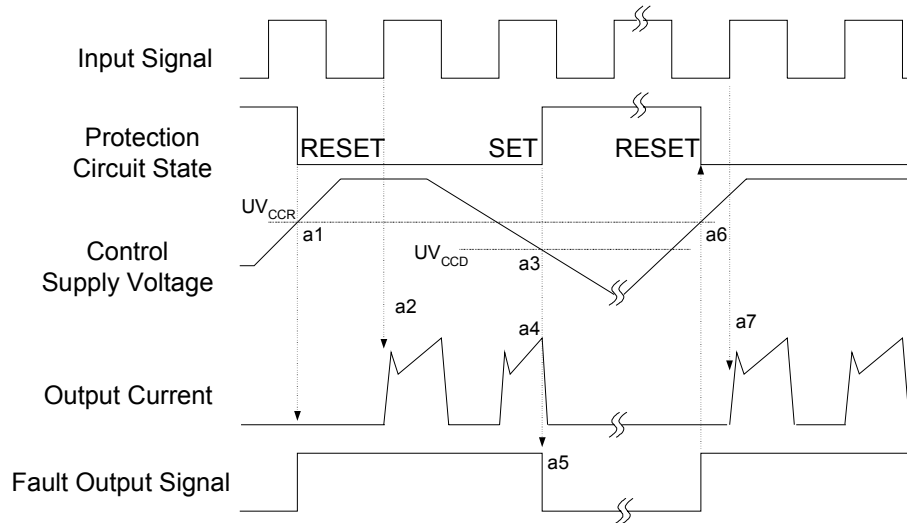
Parameter	Conditions		Limits			Units
			Min.	Typ.	Max.	
Mounting Torque	Mounting Screw: - M3	Recommended 0.62N•m	0.51	0.62	0.72	N•m
Device Flatness		Note Figure 5	0	-	+120	μm
Weight			-	15.00	-	g



**Figure 5. Flatness Measurement Position**

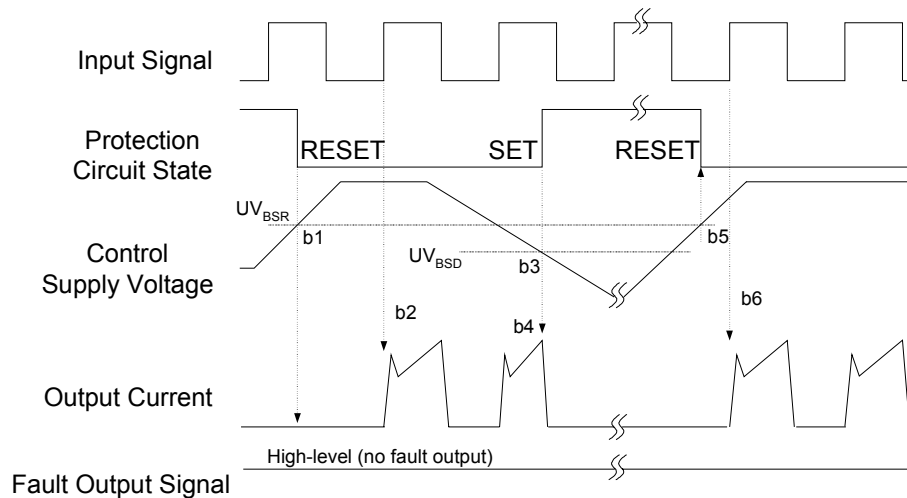


## Time Charts of SPMs Protective Function



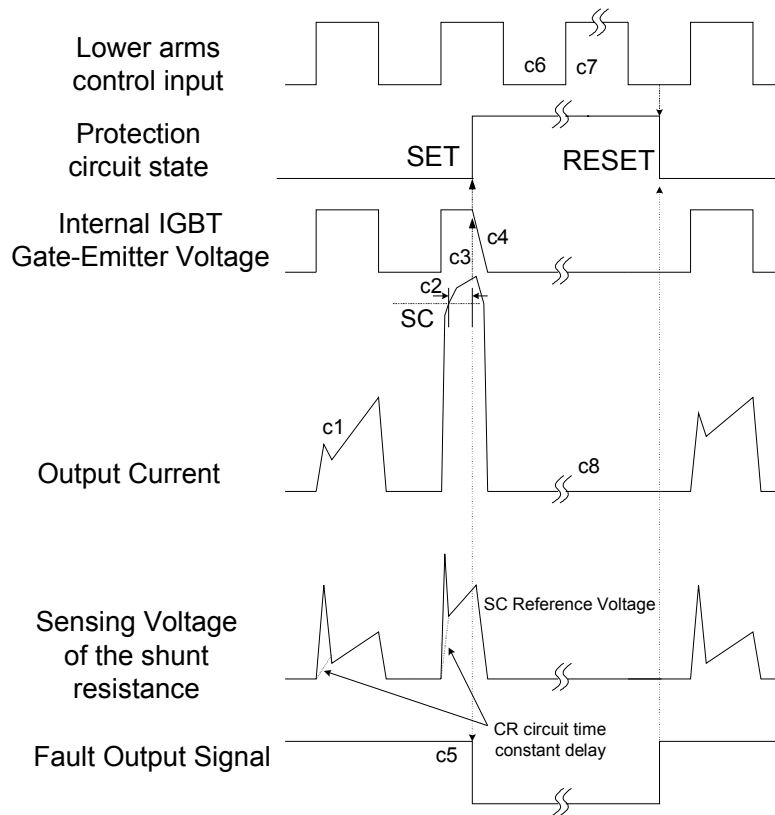
- a1 : Control supply voltage rises: After the voltage rises  $UV_{CCR}$ , the circuits start to operate when next input is applied.
- a2 : Normal operation: IGBT ON and carrying current.
- a3 : Under voltage detection ( $UV_{CCD}$ ).
- a4 : IGBT OFF in spite of control input condition.
- a5 : Fault output operation starts.
- a6 : Under voltage reset ( $UV_{CCR}$ ).
- a7 : Normal operation: IGBT ON and carrying current.

**Figure 6. Under-Voltage Protection (Low-side)**



- b1 : Control supply voltage rises: After the voltage reaches  $UV_{BSR}$ , the circuits start to operate when next input is applied.
- b2 : Normal operation: IGBT ON and carrying current.
- b3 : Under voltage detection ( $UV_{BSD}$ ).
- b4 : IGBT OFF in spite of control input condition, but there is no fault output signal.
- b5 : Under voltage reset ( $UV_{BSR}$ )
- b6 : Normal operation: IGBT ON and carrying current

**Figure 7. Under-Voltage Protection (High-side)**



(with the external shunt resistance and CR connection)

c1 : Normal operation: IGBT ON and carrying current.

c2 : Short circuit current detection (SC trigger).

c3 : Hard IGBT gate interrupt.

c4 : IGBT turns OFF.

c5 : Fault output timer operation starts: The pulse width of the fault output signal is set by the external capacitor  $C_{FO}$ .

c6 : Input "L" : IGBT OFF state.

c7 : Input "H": IGBT ON state, but during the active period of fault output the IGBT doesn't turn ON.

c8 : IGBT OFF state

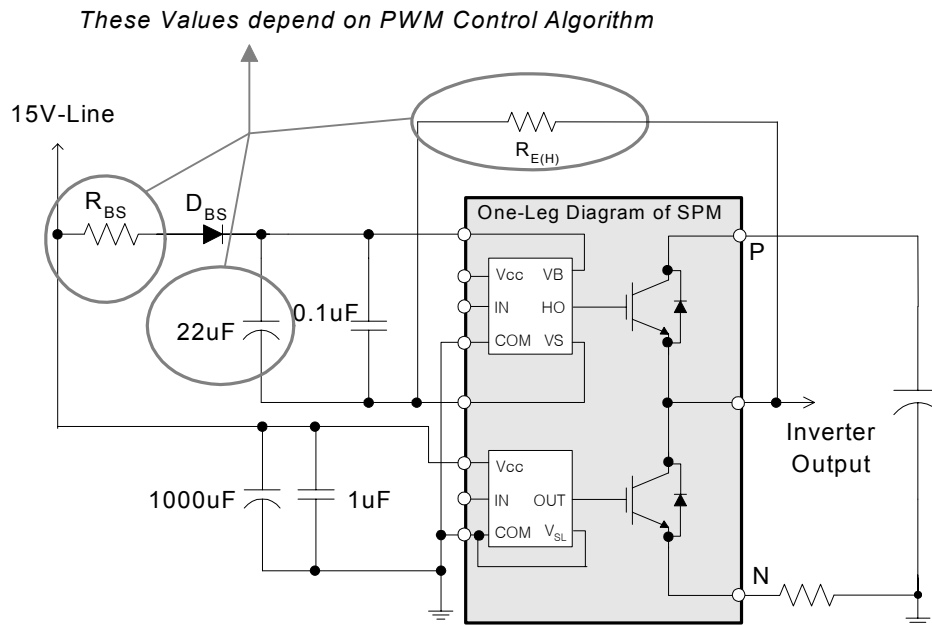
**Figure 8. Short-Circuit Current Protection (Low-side Operation only)**



**Note:**

1. RC coupling at each input (parts shown dotted) might change depending on the PWM control scheme used in the application and the wiring impedance of the application's printed circuit board. The SPM input signal section integrates 3.3kΩ (typ.) pull-down resistor. Therefore, when using an external filtering resistor, please pay attention to the signal voltage drop at input terminal.
2. The logic input is compatible with standard CMOS or LSTTL outputs.

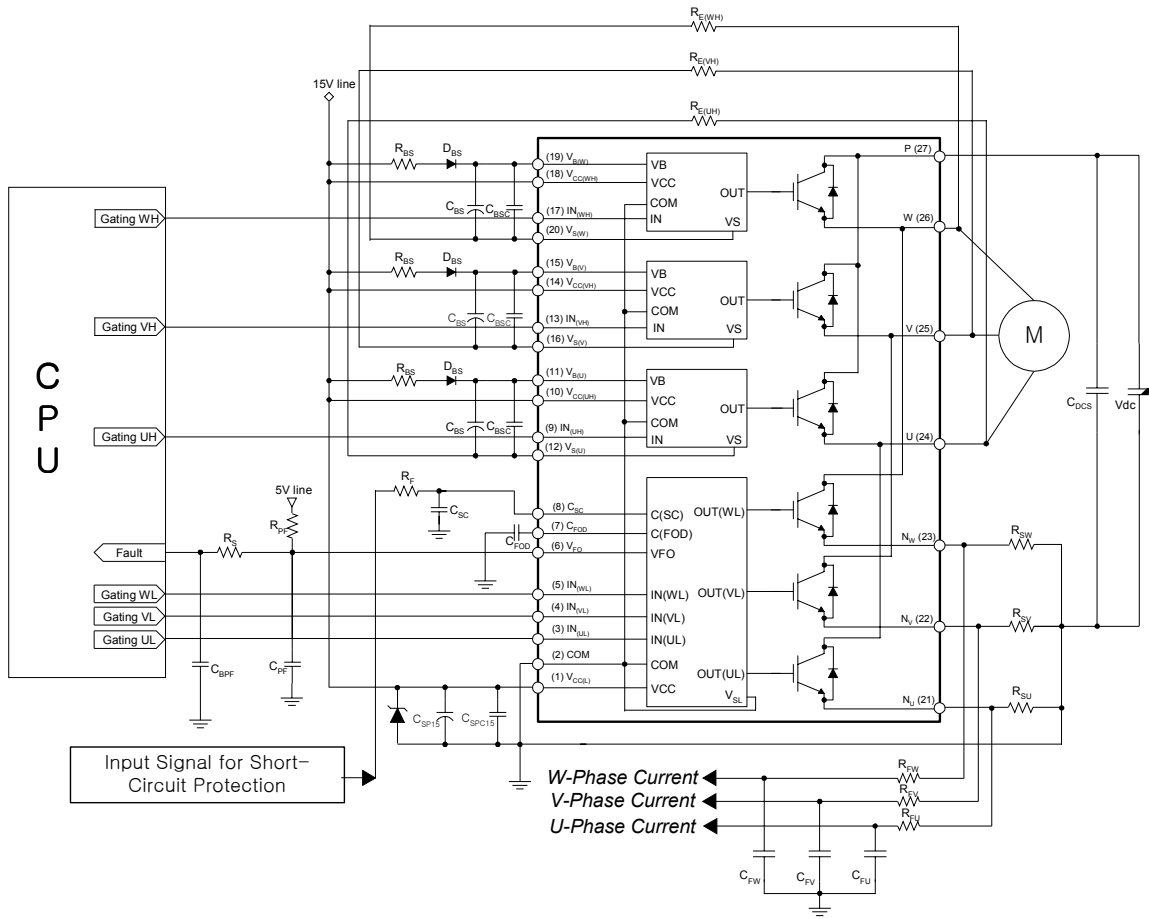
**Figure 9. Recommended CPU I/O Interface Circuit**



**Note:**

1. It would be recommended that the bootstrap diode,  $D_{BS}$ , has soft and fast recovery characteristics.
2. The bootstrap resistor ( $R_{BS}$ ) should be 3 times greater than  $R_{E(H)}$ . The recommended value of  $R_{E(H)}$  is 5.6Ω, but it can be increased up to 20Ω (maximum) for a slower dv/dt of high-side.
3. The ceramic capacitor placed between  $V_{CC}$ -COM should be over 1μF and mounted as close to the pins of the SPM as possible.

**Figure 10. Recommended Bootstrap Operation Circuit and Parameters**

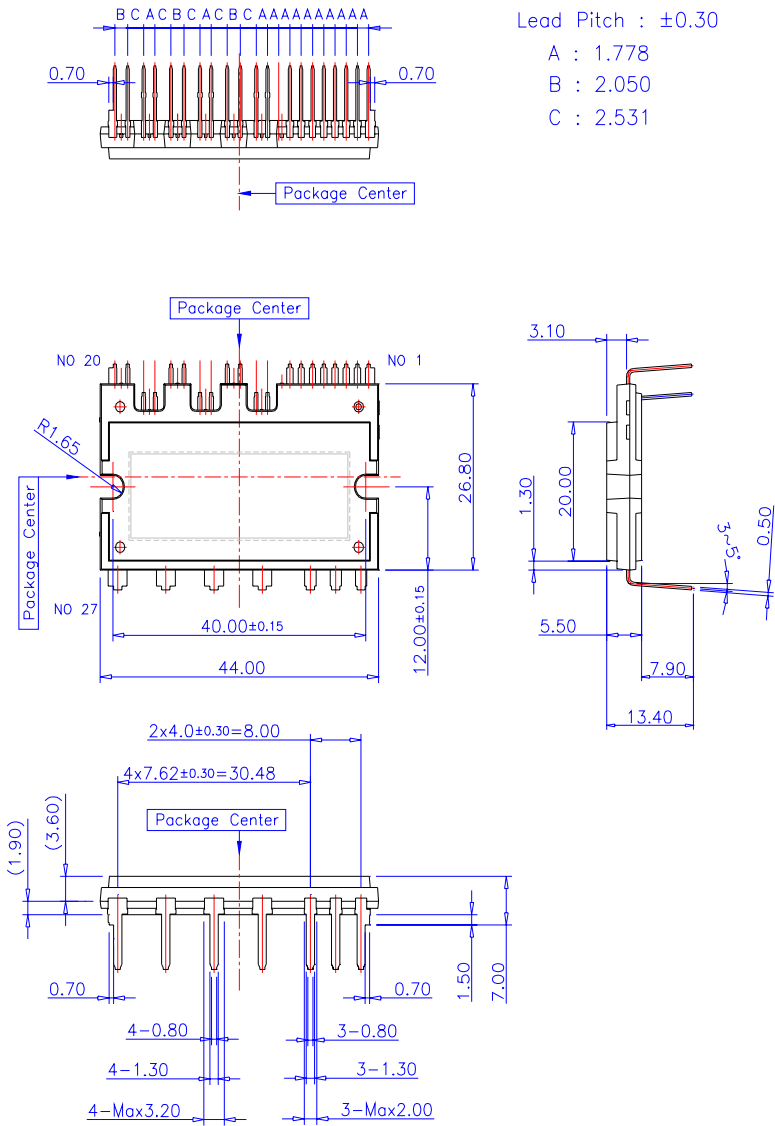


**Note:**

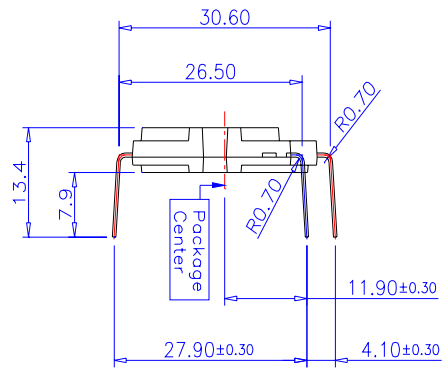
1. To avoid malfunction, the wiring of each input should be as short as possible. (less than 2-3cm)
2. By virtue of integrating an application specific type HVIC inside the SPM, direct coupling to CPU terminals without any opto-coupler or transformer isolation is possible.
3.  $V_{FO}$  output is open collector type. This signal line should be pulled up to the positive side of the 5V power supply with approximately 4.7k $\Omega$  resistance. Please refer to Figure 9.
4.  $C_{SP15}$  of around 7 times larger than bootstrap capacitor  $C_{BS}$  is recommended.
5.  $V_{FO}$  output pulse width should be determined by connecting an external capacitor ( $C_{FOD}$ ) between  $C_{FOD}$ (pin7) and COM(pin2). (Example : if  $C_{FOD} = 33$  nF, then  $t_{FO} = 1.8$ ms (typ.)) Please refer to the note 5 for calculation method.
6. Input signal is High-Active type. There is a 3.3k $\Omega$  resistor inside the IC to pull down each input signal line to GND. When employing RC coupling circuits, set up such RC couple that input signal agree with turn-off/turn-on threshold voltage.
7. To prevent errors of the protection function, the wiring around  $R_f$  and  $C_{SC}$  should be as short as possible.
8. In the short-circuit protection circuit, please select the  $R_f C_{SC}$  time constant in the range 1.5~2  $\mu$ s.
9. Each capacitor should be mounted as close to the pins of the SPM as possible.
10. To prevent surge destruction, the wiring between the smoothing capacitor and the P&GND pins should be as short as possible. The use of a high frequency non-inductive capacitor of around 0.1~0.22  $\mu$ F between the P&GND pins is recommended.
11. Relays are used at almost every systems of electrical equipments of home appliances. In these cases, there should be sufficient distance between the CPU and the relays.
12.  $C_{SPC15}$  should be over 1uF and mounted as close to the pins of the SPM as possible.

**Figure 11. Typical Application Circuit**

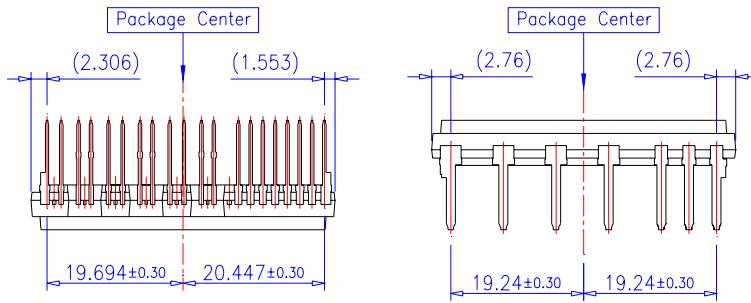
## Detailed Package Outline Drawings



Detailed Package Outline Drawings (Continued)

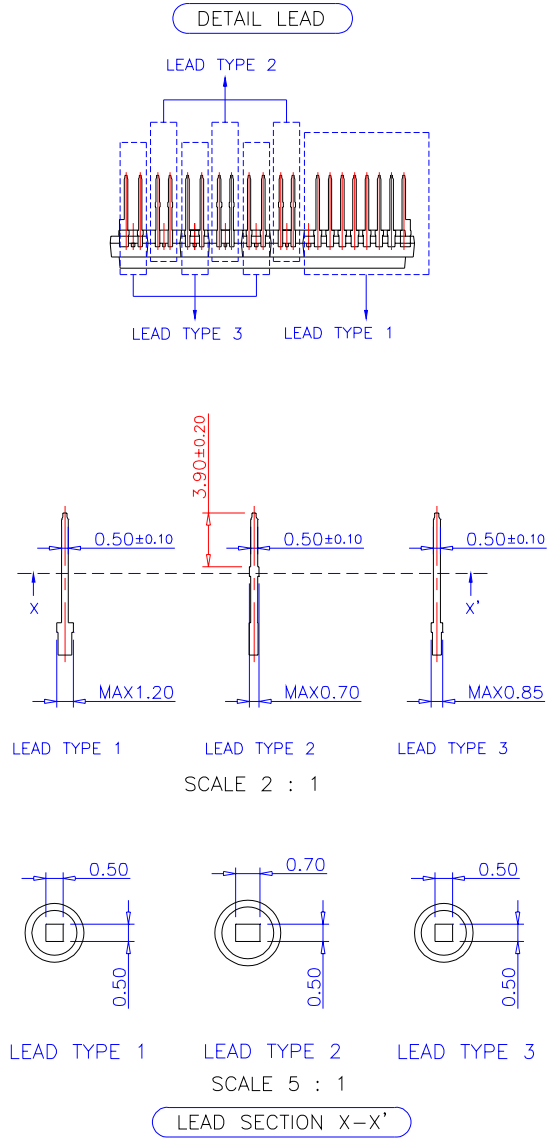


Lead Forming Dimension



PKG Center to Lead Distance

Detailed Package Outline Drawings (Continued)



**TRADEMARKS**

The following are registered and unregistered trademarks Fairchild Semiconductor owns or is authorized to use and is not intended to be an exhaustive list of all such trademarks.

ACEx™	FAST®	IntelliMAX™	POP™	SPM™
ActiveArray™	FASTr™	ISOPANAR™	Power247™	Stealth™
Bottomless™	FPS™	LittleFET™	PowerEdge™	SuperFET™
CoolFET™	FRFET™	MICROCOUPLER™	PowerSaver™	SuperSOT™-3
CROSSVOLT™	GlobalOptoisolator™	MicroFET™	PowerTrench®	SuperSOT™-6
DOVE™	GTO™	MicroPak™	QFET®	SuperSOT™-8
EcoSPARK™	HiSeC™	MICROWIRE™	QS™	SyncFET™
E <sup>2</sup> CMOS™	I <sup>2</sup> C™	MSX™	QT Optoelectronics™	TinyLogic®
EnSigna™	i-Lo™	MSXPro™	Quiet Series™	TINYOPTO™
FACT™	ImpliedDisconnect™	OCX™	RapidConfigure™	TruTranslation™
FACT Quiet Series™		OCXPro™	RapidConnect™	UHC™
Across the board. Around the world.™		OPTOLOGIC®	µSerDes™	UltraFET®
The Power Franchise®		OPTOPLANAR™	SILENT SWITCHER®	UniFET™
Programmable Active Droop™		PACMAN™	SMART START™	VCX™

**DISCLAIMER**

FAIRCHILD SEMICONDUCTOR RESERVES THE RIGHT TO MAKE CHANGES WITHOUT FURTHER NOTICE TO ANY PRODUCTS HEREIN TO IMPROVE RELIABILITY, FUNCTION OR DESIGN. FAIRCHILD DOES NOT ASSUME ANY LIABILITY ARISING OUT OF THE APPLICATION OR USE OF ANY PRODUCT OR CIRCUIT DESCRIBED HEREIN; NEITHER DOES IT CONVEY ANY LICENSE UNDER ITS PATENT RIGHTS, NOR THE RIGHTS OF OTHERS.

**LIFE SUPPORT POLICY**

FAIRCHILD'S PRODUCTS ARE NOT AUTHORIZED FOR USE AS CRITICAL COMPONENTS IN LIFE SUPPORT DEVICES OR SYSTEMS WITHOUT THE EXPRESS WRITTEN APPROVAL OF FAIRCHILD SEMICONDUCTOR CORPORATION.

As used herein:

1. Life support devices or systems are devices or systems which, (a) are intended for surgical implant into the body, or (b) support or sustain life, or (c) whose failure to perform when properly used in accordance with instructions for use provided in the labeling, can be reasonably expected to result in significant injury to the user.
2. A critical component is any component of a life support device or system whose failure to perform can be reasonably expected to cause the failure of the life support device or system, or to affect its safety or effectiveness.

**PRODUCT STATUS DEFINITIONS**

**Definition of Terms**

Datasheet Identification	Product Status	Definition
Advance Information	Formative or In Design	This datasheet contains the design specifications for product development. Specifications may change in any manner without notice.
Preliminary	First Production	This datasheet contains preliminary data, and supplementary data will be published at a later date. Fairchild Semiconductor reserves the right to make changes at any time without notice in order to improve design.
No Identification Needed	Full Production	This datasheet contains final specifications. Fairchild Semiconductor reserves the right to make changes at any time without notice in order to improve design.
Obsolete	Not In Production	This datasheet contains specifications on a product that has been discontinued by Fairchild semiconductor. The datasheet is printed for reference information only.

Rev. I15