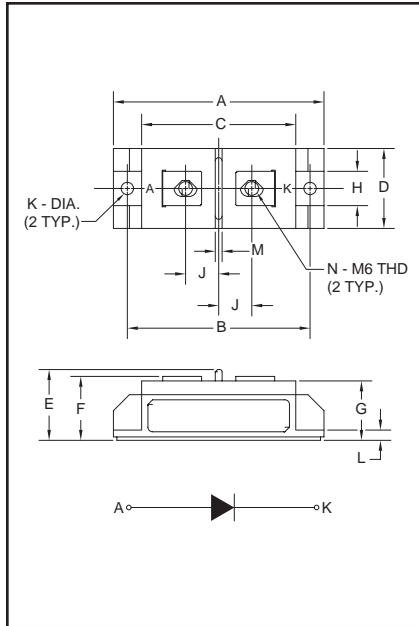


### Fast Recovery Single Diode Module 250 Amperes/500 Volts



Outline Drawing

Dimension	Inches	Millimeters
A	3.630±0.01	92.2±0.25
B	3.150±0.008	80±0.2
C	2.657±0.01	67.5±0.25
D	1.378±0.012-0.000	35±0.3-0.0
E	1.220	31
F	1.102	28
G	1.024	26
H	0.591	15
J	0.571	14.5
K	0.213±0.004 Dia. Dia. 5.4±0.1	
L	0.177	4.5
M	0.118	3
N	M6 Metric	M6



**CS640525**  
Fast Recovery  
Single Diode Module  
250 Amperes/500 Volts

#### Description:

Powerex Fast Recovery Single Diode Modules are designed for use in applications requiring fast switching. The modules are isolated for easy mounting with other components on common heatsinks.

#### Features:

- Isolated Mounting
- Planar Chips

#### Applications:

- Free Wheeling

#### Ordering Information:

Select the complete eight digit module part number you desire from the table below.

Example: CS640525 is a 500 Volt, 250 Ampere Fast Recovery Single Diode Module.

Type	Voltage Volts (x100)	Current Rating Amperes (x10)
CS64	5	25

Powerex, Inc., 200 Hillis Street, Youngwood, Pennsylvania 15697-1800 (724) 925-7272

**CS640525**

**Fast Recovery Single Diode Modules**

250 Amperes/500 Volts

**Absolute Maximum Ratings**

Characteristics	Symbol	CS640525	Units
Repetitive Peak Reverse Voltage	$V_{RRM}$	500	Volts
Non-Repetitive Peak Reverse Voltage	$V_{RSM}$	600	Volts
DC Reverse Voltage	$V_{R(DC)}$	400	Volts
DC Current, $T_C = 50^\circ\text{C}$	$I_{DC}$	250	Amperes
Peak Half-Cycle Surge (Non-Repetitive) On-State Current (60Hz)	$I_{FSM}$	4500	Amperes
$I^2t$ (for Fusing), 8.3 milliseconds	$I^2t$	$8.5 \times 10^4$	$\text{A}^2\text{sec}$
Junction Temperature	$T_j$	-40 to 150	$^\circ\text{C}$
Storage Temperature	$T_{STG}$	-40 to 125	$^\circ\text{C}$
Maximum Mounting Torque M5 Mounting Screw	—	17	in.-lb.
Maximum Mounting Torque M6 Terminal Screw	—	26	in.-lb.
Module Weight (Typical)	—	200	Grams
V Isolation	$V_{RMS}$	2500	Volts

**Electrical and Thermal Characteristics,  $T_j = 25^\circ\text{C}$  unless otherwise specified**

Characteristics	Symbol	Test Conditions	CS640525	Units
<b>Blocking State Maximums</b>				
Repetitive Reverse Current	$I_{RRM}$	$T_j = 150^\circ\text{C}, V_{RRM} = \text{Rated}$	20	mA
<b>Conducting State Maximums</b>				
Forward Voltage Drop	$V_{FM}$	$I_{FM} = 250\text{A}, T_j = 25^\circ\text{C}$	1.2	Volts
<b>Switching Maximums</b>				
Reverse Recovery Time	$t_{rr}$	$I_{FM} = 250\text{A}, T_j = 25^\circ\text{C}$ $di/dt = -200\text{A}/\mu\text{s}, V_R = 100\text{V}$	0.65	$\mu\text{s}$
Reverse Recovery Charge	$Q_{rr}$	$I_{FM} = 250\text{A}, T_j = 25^\circ\text{C}$ $di/dt = -200\text{A}/\mu\text{s}, V_R = 100\text{V}$	100	$\mu\text{C}$
<b>Thermal Maximums</b>				
Thermal Resistance, Junction-to-Case	$R_{\theta(J-C)}$	Per Module	0.2	$^\circ\text{C}/\text{Watt}$
Thermal Resistance, Case-to-Fin (Lubricated)	$R_{\theta(C-F)}$	Per Module	0.08	$^\circ\text{C}/\text{Watt}$
Insulation Resistance, Main Terminal-to-Case	—	Per Module	—	$\text{m}\Omega$