

## Data Sheet

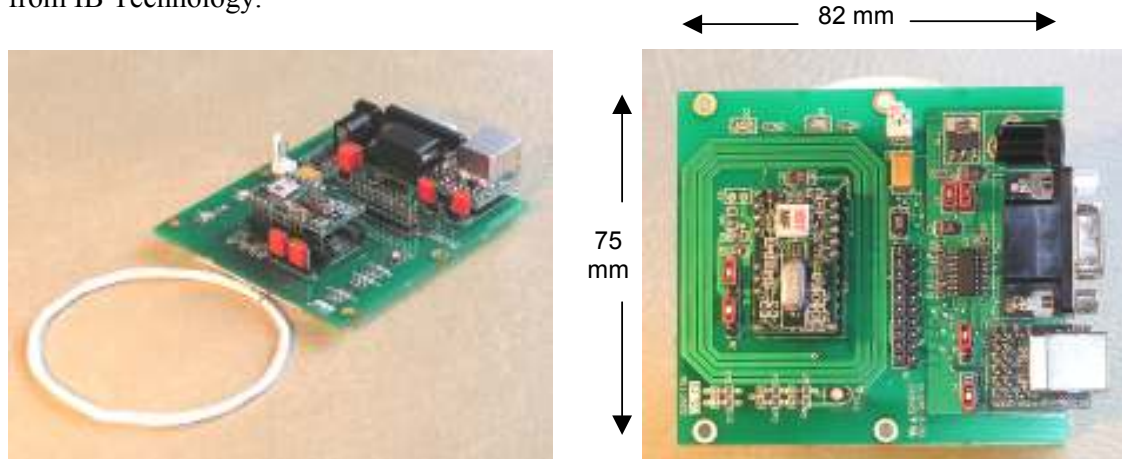
### UNI\_RS232\_USB.pdf

9 Pages

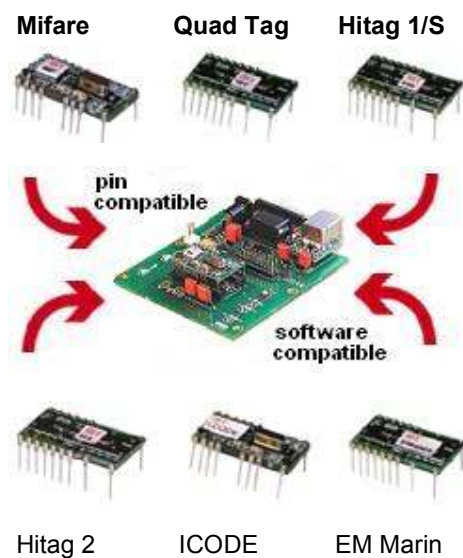
Last Revised 03/09/09

### Universal RFID Socket board with RS232 / USB interface

The Universal RFID Socket board is the baseboard for the MicroRWD RFID reader modules from IB Technology.



MicroRWD modules are low-cost, pin compatible and host command compatible Proximity reader modules for Hitag 1, Hitag S256/2048, Hitag 2, Mifare 1k/4k/Ultralight, ICODE SLI and EM400X/4102 RFID tags and contactless smart cards. The module solutions only require a 5v supply and an antenna coil to be fully featured read/write systems with optimised easy to use host commands. All modules use the same universal 24 pin DIP package so customers can migrate between different transponder technology with the minimum of design change.



The Universal Socket board provides the antenna, power supply regulation and RS232 / USB interfaces to the MicroRWD module itself. Specifically the board has a 24 pin DIP socket for the appropriate MicroRWD module to be plugged into, LEDs for visual status indication, selectable PCB and coil based antenna for 13.56MHz and 125kHz operation and voltage regulation allowing 9-12v DC power supplies to be used.

The Universal Socket board with the appropriate MicroRWD module fitted is a complete "ready-to-use" RFID reader system and is used in the SDK/Evaluation kit together with sample tags/cards and CDROM containing all the data sheets and Windows applications (executable and C source).

# ib technology

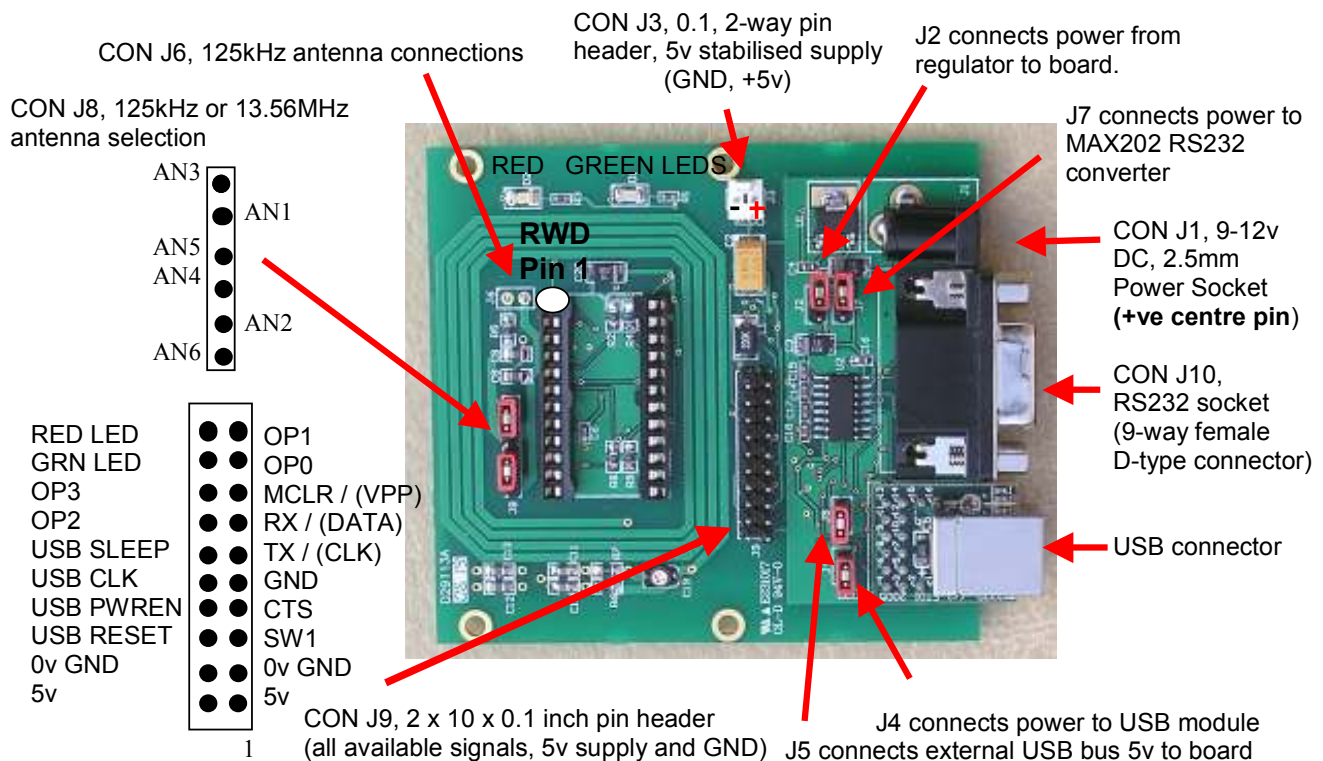
Universal socket board (with 125kHz coil antenna mounted on the underside) was designed to fit in the Evatron EVA73 plastic case giving the option of a fully enclosed product.



The Universal socket board can be powered directly from a stabilised 5 volt supply, from the 9-12 volt DC connector or from the USB bus. The MicroRWD module itself has a low average current (approximately 15-20ma) but consumes up to 200ma in a short burst every polling cycle when the RF is turned on for the brief communication period. The Universal socket board uses a 470uF capacitor across the supply rails to smooth these current pulses and so the entire board consumes around 60 ma and can operate directly from a USB bus with no external power supply.

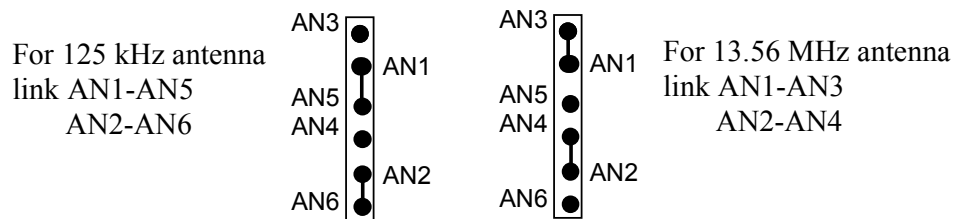
## Universal socket board link options

The board has link options to select the on-board 13.56MHz PCB antenna or the external 125kHz antenna coil and various options for supplying power to the board and interfaces.

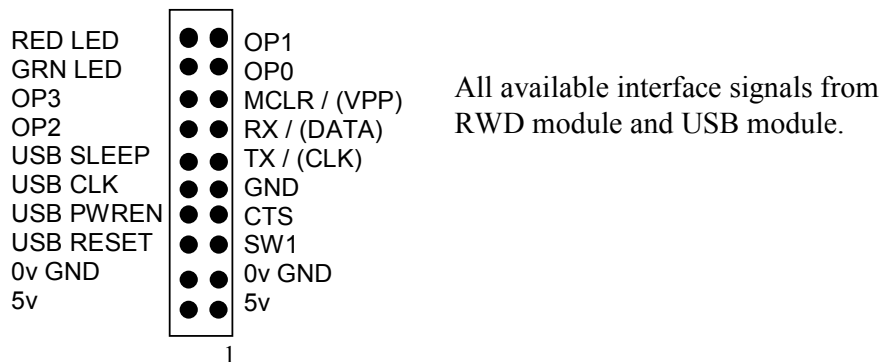


## Connector and link descriptions

- a) CON J1 (2.5mm Power Socket (+ve centre pin):  
Connector for external 9-12v DC supply.
- b) Link J2 (2 pin, 0.1 inch header):  
Connects 5 volt output from on-board voltage regulator to the rest of the board.
- c) CON J3 (2 pin , 0.1 inch polarised connector):  
Connector for external 5v stabilised power supply to board.
- d) Link J4 (2 pin, 0.1 inch header):  
Connects 5 volt supply on board to USB module.
- e) Link J5 (2 pin, 0.1 inch header):  
Connects external USB bus 5 volt supply to the rest of the board.
- f) CON J6 (2 pin, 0.1 inch header):  
Connection for external 125kHz, 700 uH antenna coil.
- g) Link J7 (2 pin, 0.1 inch header):  
Connects 5 volt supply on board to MAX202 RS232 level converter.
- h) Links J8 (6 pin, 0.1 inch header):  
Selects on-board 13.56MHz PCB antenna or external 125kHz antenna coil.



- i) CON J9 (2 x 10 way, 0.1 inch header):



- j) CON J10 (9 pin female, D-type):  
RS232 connector (1, 4, 6 joined, 2 – Tx, 3 – Rx, 5 – GND, 8 – CTS)

## **Operation of MicroRWD module only with 5 volt external supply**

With a MicroRWD module fitted and the 13.56MHz or 125kHz antenna selected, the module can be powered from an external 5 volt stabilised supply connected to CON J3 or CON J9. The interface and communication pins can also be accessed directly from CON J9. For this case the links J2, J4, J5, J7 can be removed to ensure that only the MicroRWD module is powered and the MAX202 and the USB module (if fitted) are OFF.

## **Operation of MicroRWD module using RS232 interface**

The MicroRWD module can be powered from an external 5 volt stabilised or 9-12 volt unregulated supply (Link J2 set accordingly). For RS232 communication, link J7 should be closed to power the MAX202 device. A standard RS232 extension cable (straight-through, pin-to-pin) is used to connect CON J10 to a PC COM port or other host RS232 interface.

## **Operation of MicroRWD module using USB interface (if fitted)**

The MicroRWD module can be connected to and powered from an external USB bus. To ensure the board consumes minimum power, links J2 and J7 should be removed to disconnect the MAX202 power and regulator supply. Links J4 and J5 should then be closed to connect the external USB bus 5 volt supply to the USB module and the MicroRWD itself.

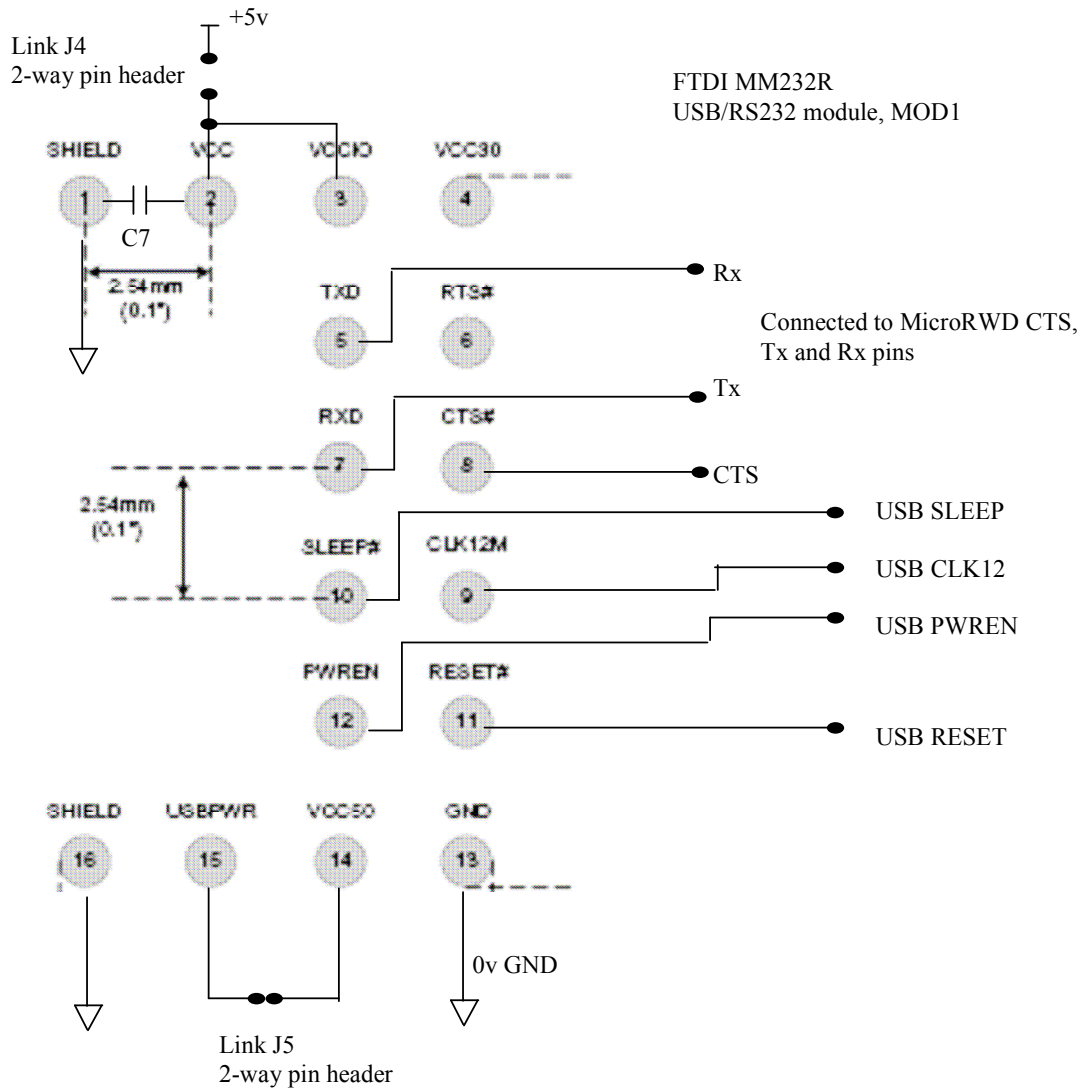
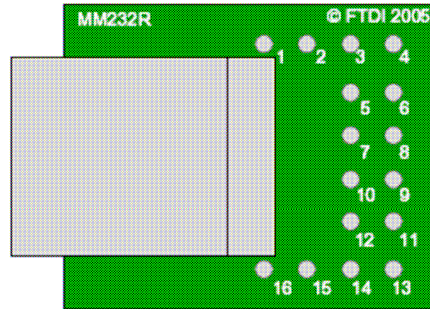
The Universal RFID socket board uses the low-cost FTDI (Future Technology Devices International Ltd) MM232R “serial to USB converter” module. If not already fitted, the module can be purchased on-line from <http://www.ftdichip.com/>



FTDI USB – serial interface module MM232R

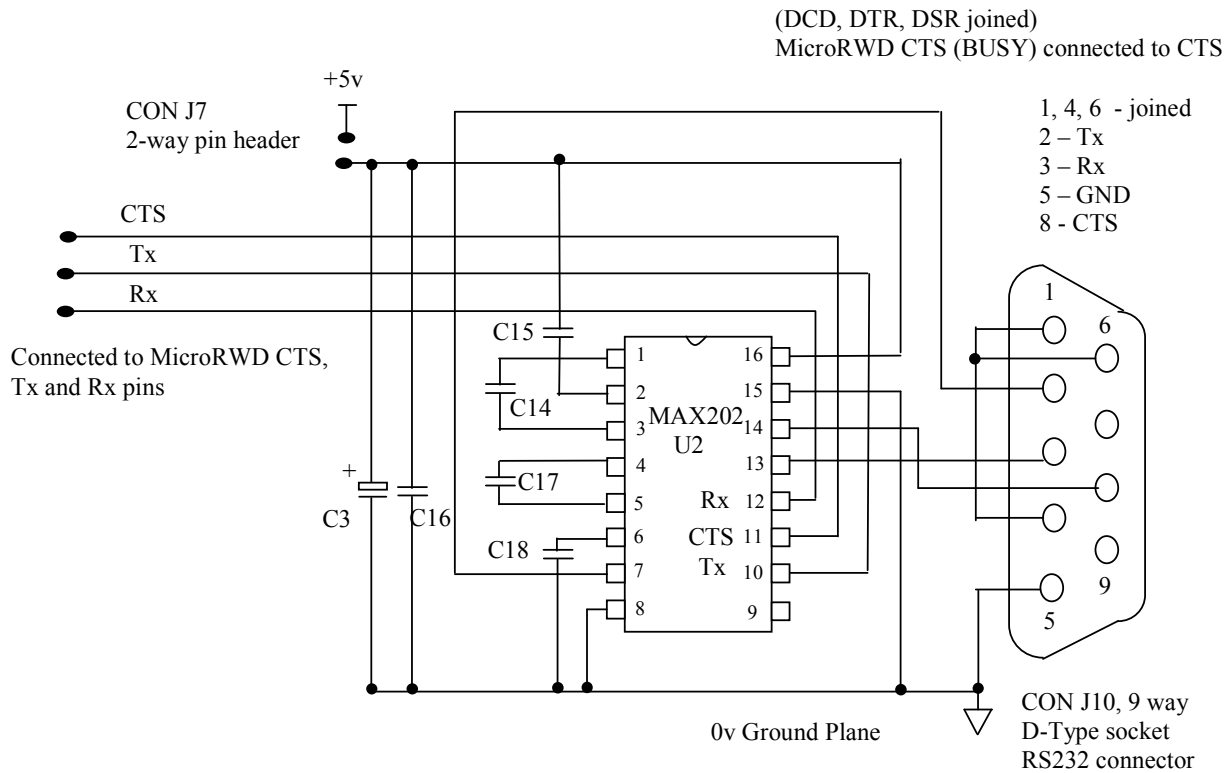
The USB module should be connected to the PC USB port using a standard USB connecting cable. All the Windows applications for the MicroRWD module currently communicate with the serial COM ports and assume RS232 connection. FTDI provide a VCP (Virtual COM Port) driver for the MM232R module that allows standard RS232 communication programs to operate over the USB bus. The VCP drivers for various Operating Systems can be downloaded from <http://www.ftdichip.com/Drivers/VCP.htm> and installed according to the supplied instructions (VCP driver file: CDM 2.00.00 or later). With the Universal RFID board connected to the USB bus, the Windows applications can be run in the usual manner with a COM port selected higher than the maximum COM port number on the PC being used.

## FTDI MM232R USB Module pin out and PCB pad layout

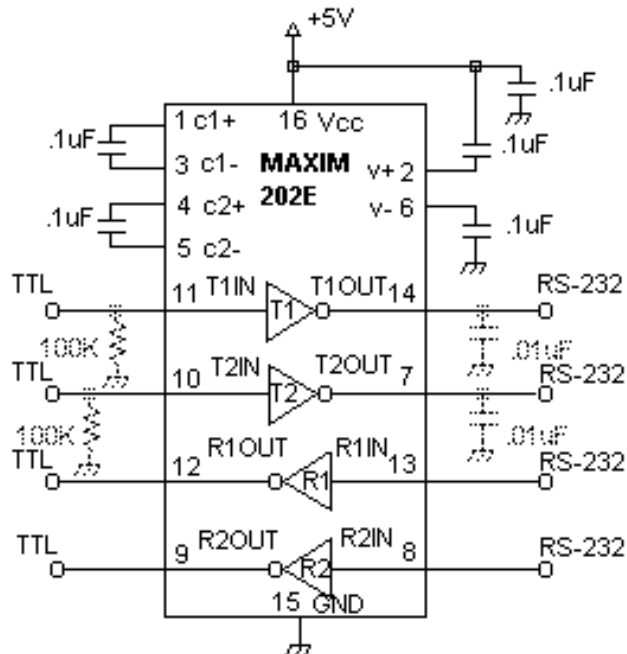


For USB powered RFID board, short links J4 and J5  
 For external 5v supply, short link J4, open link J5

## RS232 interface circuit and connector pin out

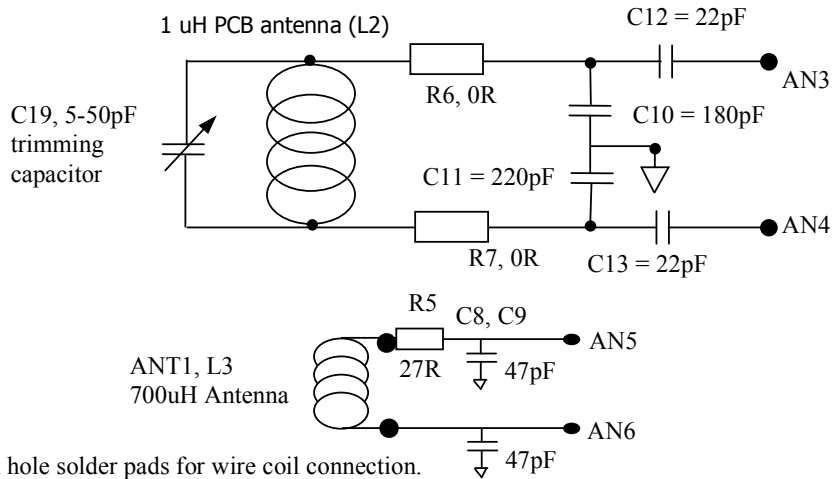
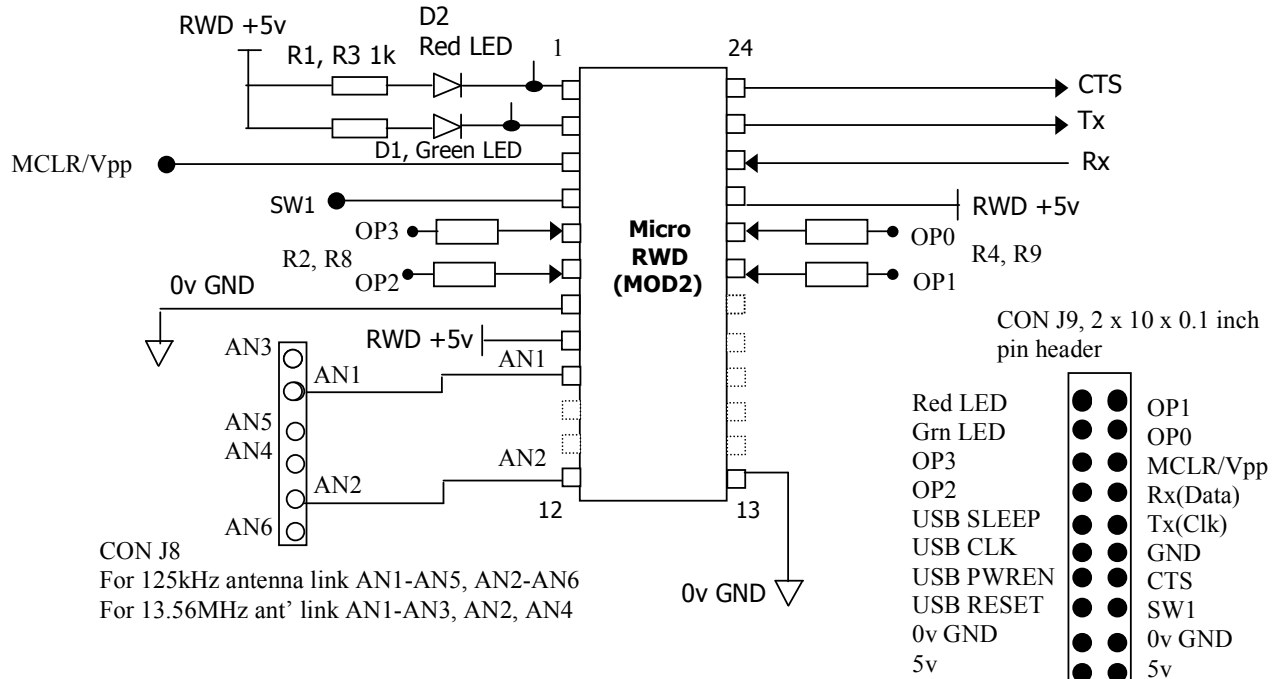


## SINGLE SUPPLY TTL TO RS-232

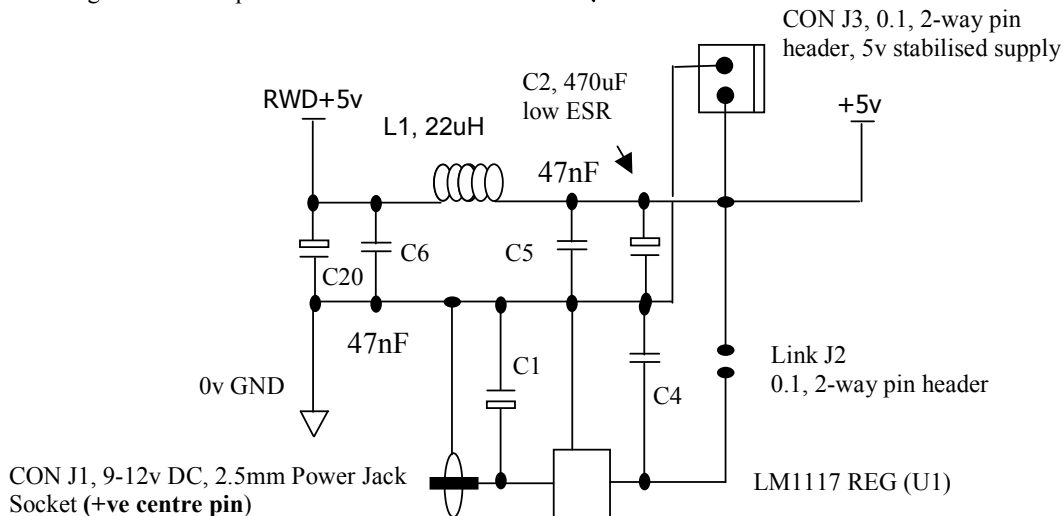


Shaded components used as needed  
to prevent jitter and noise

## MicroRWD module interface circuit and pin out



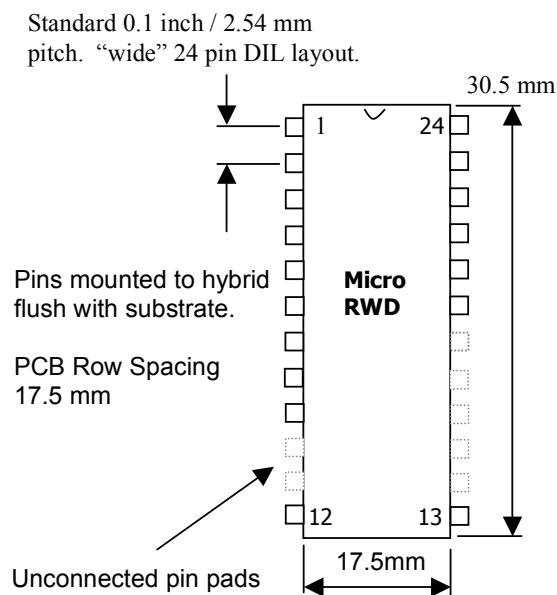
Through hole solder pads for wire coil connection.



## MicroRWD pin out

Pin Name	DIP No.	I/O Type	Buffer Type	Description
LED1	1	O	TTL	Red LED connection. 25ma max sink current
LED2	2	O	TTL	Green LED connection. 25ma max sink current
RESET	3	I	ST	Reset pin internally pulled high. Active low. Normally not connected
SW1	4	I	ST	Switch input to override output drives or select baud rate. Internally pulled high. Active low
OP3	5	O	TTL	Aux output drive. 25ma max sink current.
OP2	6	O	TTL	Aux output drive. 25ma max sink current.
GND	7	P	-	Ground reference for logic and analogue pins
VCC	8	P	-	+5v Positive supply
AN1	9	P	AN	Antenna connection. Up to 200ma peak current. +/- 100v peak voltage. 125kHz or 13.56Mhz drive into 700 uH or 1 uH antenna.
-	10	-	-	Not connected
-	11	-	-	Not connected
AN2	12	P	AN	Antenna connection.
GND	13	P	-	Ground reference for logic and analogue pins. Normally used for antenna screen connection
-	14	-	-	Not connected
-	15	-	-	Not connected
-	16	-	-	Not connected
-	17	-	-	Not connected
-	18	-	-	Not connected
OP1	19	O	TTL	Aux output drive. 25ma max sink current.
OP0	20	O	TTL	Aux output drive. 25ma max sink current.
VCC	21	P	-	+5v Positive supply
RX	22	I	TTL	Serial communication Receive line. 9600 baud, 8 bit, 1 stop, no parity
TX	23	O	TTL	Serial communication Transmit line
CTS	24	O	TTL	Serial communication CTS handshake. RX enabled when CTS low and disabled when high.

(I/O = Input/Output, AN = Antenna output, P = Power, ST = Schmitt Trigger input, TTL = TTL logic I/O)





## Universal RFID socket board specifications

Basic preliminary electrical specifications.

<b>Parameter</b>	<b>Typical Value</b>
Supply Voltage	5v DC regulated or 9-12v DC unregulated.
Operating temperature	-25 deg C to + 70 deg C
Average current consumption: MicroRWD + LEDs ONLY (default 100ms RF-OFF polling delay)	Approx 20ma
Average current consumption: MicroRWD + LEDs + RS232 interface.	Approx 25ma
Average current consumption: MicroRWD + LEDs + USB interface.	Approx 25ma
Maximum board current (MicroRWD + all interfaces active)	Approx 60ma
Peak antenna voltage (optimum antenna tuning)	Up to +/- 100v (200v peak-to-peak)
Peak antenna current (optimum tuning)	Up to 200ma
Communication time for Tag authentication	20ms (Hitag)
Communication time for 32 bit WRITE operation	30ms (Hitag)
Maximum data rate (between Tag and RWD)	4k baud or 53 / 106k baud
Range (dependent on antenna dimensions and tuning)	Up to 20cm (125kHz) or 10cm (13.56MHz)
Auxiliary output drive current	Up to 25ma sink
Switch input (pulled up)	Active low
Serial Interface	TTL level RS232 or +/- 12v RS232
Communication Parameters (depending on MicroRWD type)	9600/38400 baud, 8 data bits, no parity, 1 stop bit protocol with CTS handshake

**No responsibility is taken for the method of integration or final use of MicroRWD**

More information on the Micro RWD and other products can be found at the Internet web site:

**<http://www.ibtechnology.co.uk>**

Or alternatively contact IB Technology by email at:

**[sales@ibtechnology.co.uk](mailto:sales@ibtechnology.co.uk)**