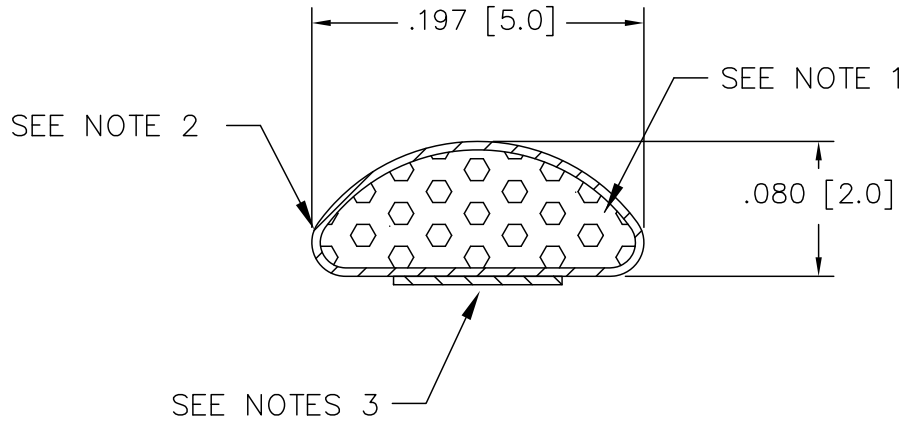


CONFIDENTIAL & PROPRIETARY

THIS INFORMATION IS CONFIDENTIAL AND PROPRIETARY TO LAIRD TECHNOLOGIES. IT MAY NOT BE DISCLOSED TO ANYONE OTHER THAN LAIRD TECHNOLOGIES PERSONNEL, WITHOUT WRITTEN AUTHORIZATION FROM LAIRD TECHNOLOGIES.



NOTES:

1. FOAM: POLYURETHANE
2. FABRIC: NICKEL PET-TAF FR Ecogreen
3. TAPE: .100" TAPE HI-TEMP
4. LINER: NO EXTENDED RELEASE LINER
5. FABRIC SEAM LOCATION MAY VARY.
6. CARRIER: NO CARRIER
7. THIS PART IS RoHS COMPLIANT AND MEETS THE REQUIREMENTS OF LT-GES-001

REVISIONS:	TITLE:	DRAWN	DATE	SCALE:	DIMENSIONS ARE IN INCHES. UNLESS OTHERWISE SPECIFIED, TOLERANCES ARE AS FOLLOWS:
	SHIELDING GASKET	GIBILTERRA	3/18/08	1/1	
	Dwg. or Part No.	CHECKED BY:	DATE		DECIMALS
	4C13-PA-51H	FJG	3/18/08		LENGTH
	REV.	RELEASED BY:	DATE		.XX ± .03
	0	FJG	3/31/08		.XXX ± .020
					0° - 6° ± .030°
					6° - 11° ± .050°
					11° - 45° ± .100°
					45° - 70° ± .187°
					70° - 144° ± .250°
					± 1/2°

