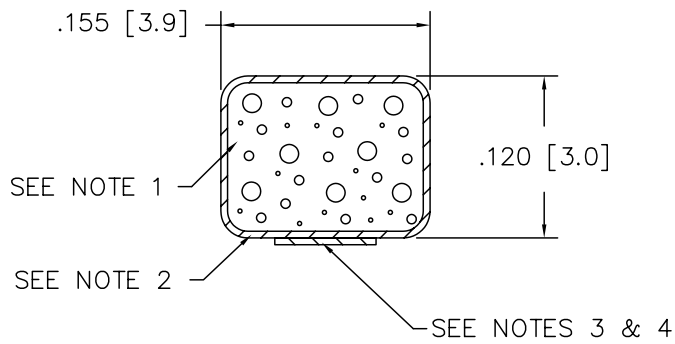


CONFIDENTIAL & PROPRIETARY

THIS INFORMATION IS CONFIDENTIAL AND PROPRIETARY TO LAIRD TECHNOLOGIES. IT MAY NOT BE DISCLOSED TO ANYONE, OTHER THAN LAIRD TECHNOLOGIES PERSONNEL, WITHOUT WRITTEN AUTHORIZATION FROM LAIRD TECHNOLOGIES.



NOTES:

1. FOAM: POLYURETHANE
2. FABRIC: NICKEL PET-TAF FR Ecogreen
3. TAPE: .075" TAPE HI-TEMP
4. LINER: NO EXTENDED RELEASE LINER
5. FABRIC SEAM LOCATION MAY VARY.
6. THIS PART IS RoHS COMPLIANT

| | | | | | | | |
|------------|------------------|------|--------------|----------|--------|--|--------------------|
| REVISIONS: | TITLE: | | DRAWN | DATE | SCALE: | DIMENSIONS ARE IN INCHES. UNLESS OTHERWISE SPECIFIED, TOLERANCES ARE AS FOLLOWS: | |
| | SHIELDING GASKET | | GIBILTERRA | 10/02/07 | 1/1 | | |
| | Dwg. or Part No. | REV. | CHECKED BY: | DATE | | | |
| | 4209-PA-51H | 0 | FJG | 10/02/07 | | DECIMALS | LENGTH |
| | | | RELEASED BY: | DATE | | .XX ± .03 | 0" - 6" ± .030" |
| | | | FJG | 10/02/07 | | .XXX ± .020 | 6" - 11" ± .050" |
| | | | | | | | 11" - 48" ± .100" |
| | | | | | | ANGLES | 48° - 70° ± .187° |
| | | | | | | ± 1/2" | 70° - 144° ± .250° |

