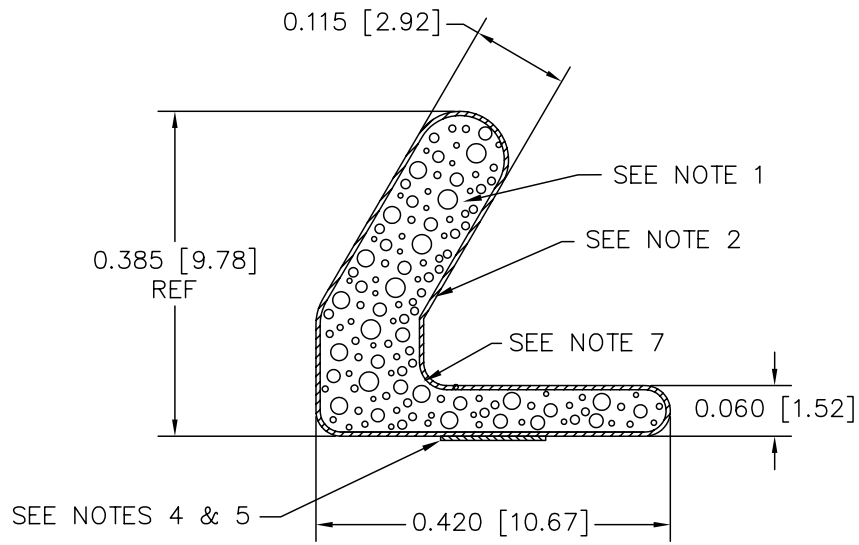


CONFIDENTIAL & PROPRIETARY

THIS INFORMATION IS CONFIDENTIAL AND PROPRIETARY TO LAIRD TECHNOLOGIES. IT MAY NOT BE DISCLOSED TO ANYONE, OTHER THAN LAIRD TECHNOLOGIES PERSONNEL, WITHOUT WRITTEN AUTHORIZATION FROM LAIRD TECHNOLOGIES.



NOTES:

1. FOAM: POLYURETHANE
2. FABRIC: NICKEL NRS FR
3. TAPE: 1/8" TAPE HI-TEMP
4. LINER: NO EXTENDED RELEASE LINER
5. FABRIC SEAM LOCATION MAY VARY.
6. CARRIER: NO CARRIER
7. MAXIMUM GAP OF .045"
8. THIS PART IS RoHS COMPLIANT

REVISONS:	TITLE:	DRAWN:	DATE:	SCALE:	DIMENSIONS ARE IN INCHES. UNLESS OTHERWISE SPECIFIED, TOLERANCES ARE AS FOLLOWS:
	SHIELDING GASKET	GIBILTERRA	10/02/07	1/1	
	Dwg. or Part No.	CHECKED BY:	DATE:		DECIMALS
	4198-PA-H1K	FJG	10/02/07		LENGTH
	REV. 0	RELEASED BY:	DATE:		.XX ± .03 0" - 6" ± .030"
		FJG	10/02/07		.XXX ± .020 6" - 11" ± .050"
					ANGLES 11" - 45" ± .100"
					45" - 70" ± .187"
					± 1/2° 70" - 144" ± .250"

