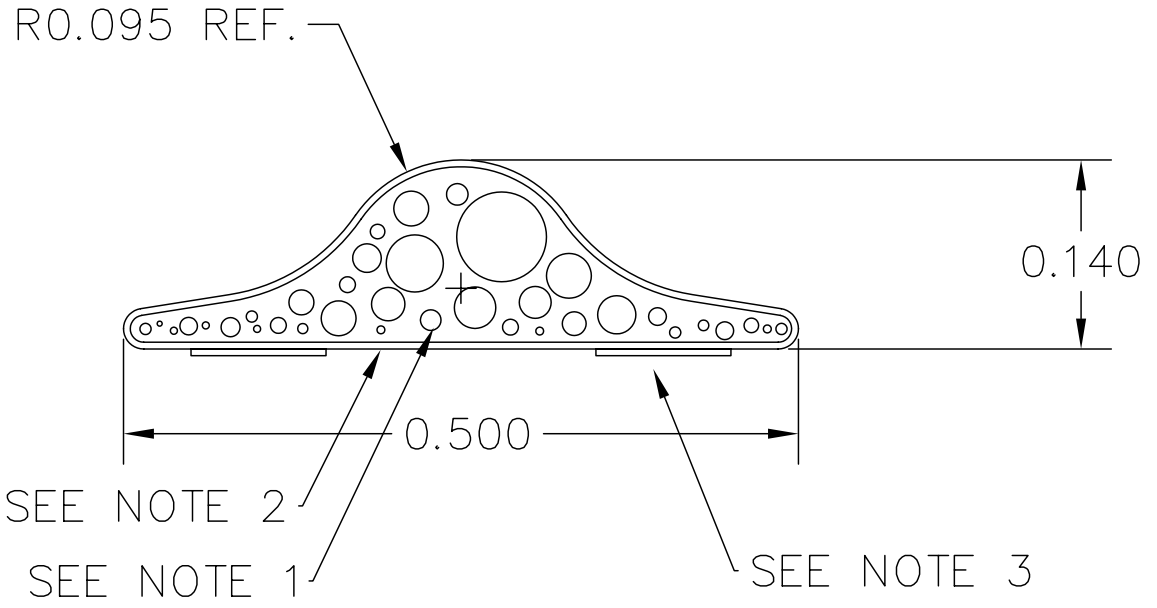


CONFIDENTIAL & PROPRIETARY

THIS INFORMATION IS CONFIDENTIAL AND PROPRIETARY TO LAIRD TECHNOLOGIES. IT MAY NOT BE DISCLOSED TO ANYONE, OTHER THAN LAIRD TECHNOLOGIES PERSONNEL, WITHOUT WRITTEN AUTHORIZATION FROM LAIRD TECHNOLOGIES.



- NOTES:
1. FOAM: POLYURETHANE
 2. FABRIC: NICKEL PET-TAF FR Ecogreen
 3. TAPE: .100" TAPE HI-TEMP X 2
 4. LINER: NO EXTENDED RELEASE LINER
 5. FABRIC SEAM LOCATION MAY VARY.
 6. CARRIER: NO CARRIER
 7. THIS PART IS RoHS COMPLIANT

REVISIONS:	TITLE:	DRAWN	DATE	SCALE:	DIMENSIONS ARE IN INCHES. UNLESS OTHERWISE SPECIFIED, TOLERANCES ARE AS FOLLOWS:	
	SHIELDING GASKET	GIBILTERRA	10/01/07	1/1		
	Dwg. or Part No.	CHECKED BY:	DATE	DECIMALS		LENGTH
	4131-PA-51H	FJG	10/01/07	.XX ± .03		0" - 6" ± .030"
	REV.	RELEASED BY:	DATE	.XXX ± .020	6" - 11" ± .050"	
	0	FJG	10/01/07		11" - 48" ± .100"	
					ANGLES	48° - 70° ± .187°
					± 1/2°	70° - 144° ± .250°

