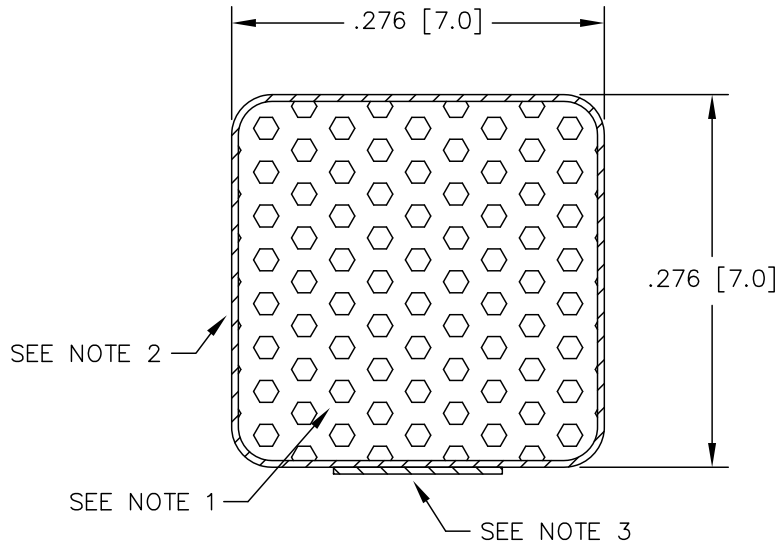


CONFIDENTIAL & PROPRIETARY

THIS INFORMATION IS CONFIDENTIAL AND PROPRIETARY TO LAIRD TECHNOLOGIES. IT MAY NOT BE DISCLOSED TO ANYONE, OTHER THAN LAIRD TECHNOLOGIES PERSONNEL, WITHOUT WRITTEN AUTHORIZATION FROM LAIRD TECHNOLOGIES.



NOTES:

1. FOAM: POLYURETHANE
2. FABRIC: NICKEL PET-TAF FR Ecogreen
3. TAPE: .125" TAPE HI-TEMP
4. LINER: NO EXTENDED RELEASE LINER
5. FABRIC SEAM LOCATION MAY VARY.
6. CARRIER: NO CARRIER
7. THIS PART IS RoHS COMPLIANT AND MEETS THE REQUIREMENTS OF LT-GES-001

REVISIONS:	TITLE:		DRAWN	DATE	SCALE:	DIMENSIONS ARE IN INCHES. UNLESS OTHERWISE SPECIFIED, TOLERANCES ARE AS FOLLOWS:	<table border="0"> <tr> <td></td> <td>LENGTH</td> <td></td> </tr> <tr> <td>.XX ± .03</td> <td>0" - 6"</td> <td>± .030"</td> </tr> <tr> <td>.XXX ± .020</td> <td>6" - 11"</td> <td>± .050"</td> </tr> <tr> <td></td> <td>11" - 48"</td> <td>± .100"</td> </tr> <tr> <td></td> <td>48" - 70"</td> <td>± .187"</td> </tr> <tr> <td></td> <td>70" - 144"</td> <td>± .250"</td> </tr> </table>		LENGTH		.XX ± .03	0" - 6"	± .030"	.XXX ± .020	6" - 11"	± .050"		11" - 48"	± .100"		48" - 70"	± .187"		70" - 144"	± .250"
		LENGTH																							
.XX ± .03	0" - 6"	± .030"																							
.XXX ± .020	6" - 11"	± .050"																							
	11" - 48"	± .100"																							
	48" - 70"	± .187"																							
	70" - 144"	± .250"																							
	SHIELDING GASKET		GIBILTERRA	3/18/08	1/1																				
	Dwg. or Part No.	REV.	CHECKED BY:	DATE																					
	4980-PA-51H	0	FJG	3/31/08																					
			RELEASED BY:	DATE																					
			FJG	3/31/08																					

