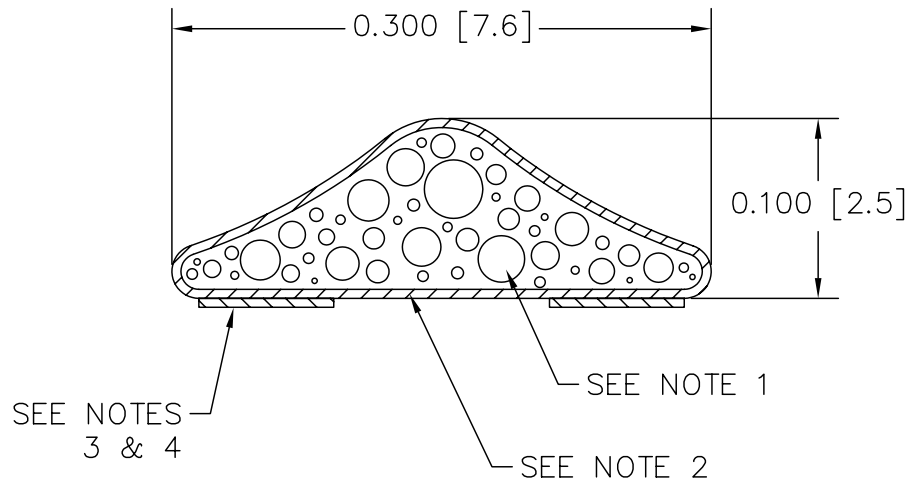


CONFIDENTIAL & PROPRIETARY

THIS INFORMATION IS CONFIDENTIAL AND PROPRIETARY TO LAIRD TECHNOLOGIES. IT MAY NOT BE DISCLOSED TO ANYONE, OTHER THAN LAIRD TECHNOLOGIES PERSONNEL, WITHOUT WRITTEN AUTHORIZATION FROM LAIRD TECHNOLOGIES.



NOTES:

1. FOAM: POLYURETHANE
2. FABRIC: NICKEL PET-TAF FR Ecogreen
3. TAPE: .075" TAPE HI-TEMP X 2
4. LINER: NO EXTENDED RELEASE LINER
5. FABRIC SEAM LOCATION MAY VARY.
6. CARRIER: NO CARRIER
7. THIS PART IS RoHS COMPLIANT

REVISIONS:	TITLE:	DRAWN:	DATE:	SCALE:	DIMENSIONS ARE IN INCHES. UNLESS OTHERWISE SPECIFIED, TOLERANCES ARE AS FOLLOWS:
	SHIELDING GASKET	GIBILTERRA	10/01/07	1/1	
	Dwg. or Part No.	CHECKED BY:	DATE:		DECIMALS
	4633-PA-51H	FJG	10/01/07		LENGTH
	REV.	RELEASED BY:	DATE:		.XX ± .03
	0	FJG	10/01/07		.XXX ± .020
					0° - 6° ± .030°
					6° - 11° ± .050°
					11° - 48° ± .100°
					48° - 70° ± .187°
					70° - 144° ± .250°
					± 1/2°

