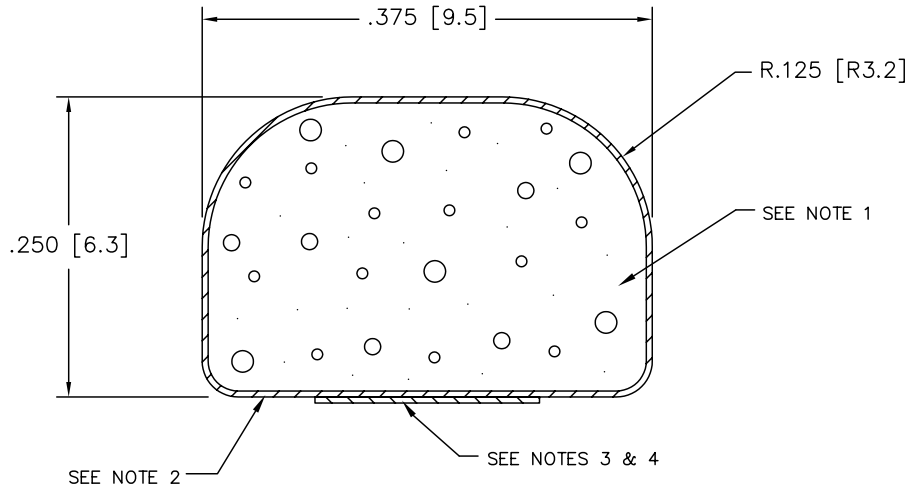


CONFIDENTIAL & PROPRIETARY

THIS INFORMATION IS CONFIDENTIAL AND PROPRIETARY TO LAIRD TECHNOLOGIES. IT MAY NOT BE DISCLOSED TO ANYONE, OTHER THAN LAIRD TECHNOLOGIES PERSONNEL, WITHOUT WRITTEN AUTHORIZATION FROM LAIRD TECHNOLOGIES.



NOTES:

1. FOAM: POLYURETHANE
2. FABRIC: NICKEL PET-TAF FR Ecogreen
3. TAPE: .187" TAPE HI-TEMP
4. LINER: NO EXTENDED RELEASE LINER
5. FABRIC SEAM LOCATION MAY VARY.
6. CARRIER: NO CARRIER
7. THIS PART IS RoHS COMPLIANT

REVISIONS:	TITLE:	DRAWN	DATE	SCALE:	DIMENSIONS ARE IN INCHES. UNLESS OTHERWISE SPECIFIED, TOLERANCES ARE AS FOLLOWS:	
	SHIELDING GASKET	GIBILTERRA	10/02/07	1/1		
	Dwg. or Part No.	CHECKED BY:	DATE		DECIMALS	
	4789-PA-51H	FJG	10/02/07		LENGTH	
	REV. 0	RELEASED BY:	DATE		.XX ± .03	0° - 6° ± .030"
		FJG	10/02/07		.XXX ± .020	6° - 11° ± .050"
						11° - 45° ± .100"
					ANGLES	45° - 70° ± .187"
						70° - 144° ± .250"
						± 1/2°

