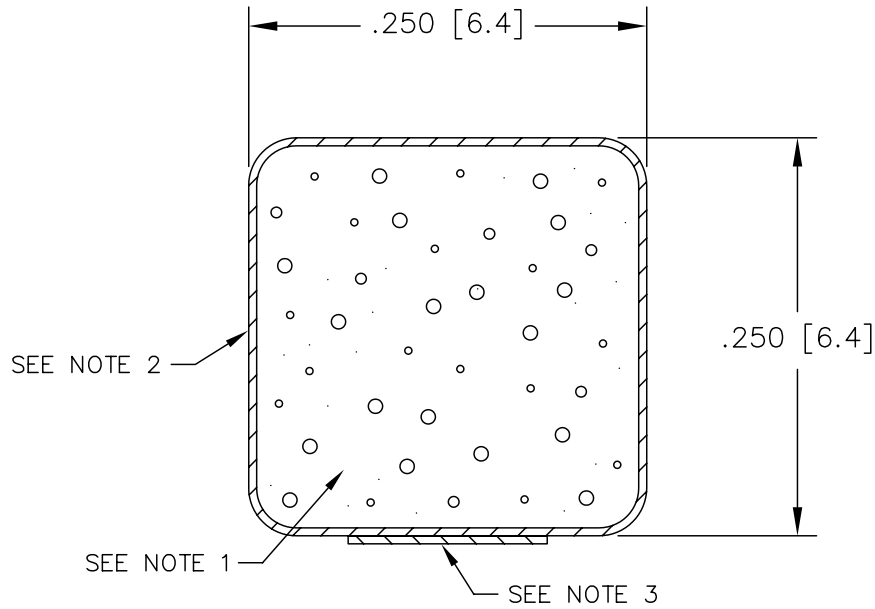


CONFIDENTIAL & PROPRIETARY

THIS INFORMATION IS CONFIDENTIAL AND PROPRIETARY TO LAIRD TECHNOLOGIES. IT MAY NOT BE DISCLOSED TO ANYONE, OTHER THAN LAIRD TECHNOLOGIES PERSONNEL, WITHOUT WRITTEN AUTHORIZATION FROM LAIRD TECHNOLOGIES.



NOTES:

1. FOAM: POLYURETHANE
2. FABRIC: NICKEL PET-TAF FR Ecogreen
3. TAPE: .125" HI-TEMP
4. LINER: NO EXTENDED RELEASE LINER
5. FABRIC SEAM LOCATION MAY VARY.
6. CARRIER: NO CARRIER
7. THIS ART IS RoHS COMPLIANT

REVISIONS: 1. TAPE WAS .100" - P08-006 - 1/21/08 FJG	TITLE: SHIELDING GASKET		DRAWN: GIBILTERRA	DATE: 10/02/07	SCALE: 1/1	DIMENSIONS ARE IN INCHES. UNLESS OTHERWISE SPECIFIED, TOLERANCES ARE AS FOLLOWS: <small>DECIMALS LENGTH</small> .XX ± .03 0" - 6" ± .030" .XXX ± .020 6" - 11" ± .050" <small>ANGLES</small> 11° - 45° ± .100" 45° - 70° ± .187" ± 1/2° 70° - 144° ± .250"
	Dwg. or Part No. 4049-PA-51H	REV. 1	CHECKED BY: FJG	DATE: 10/02/07	RELEASED BY: FJG	

