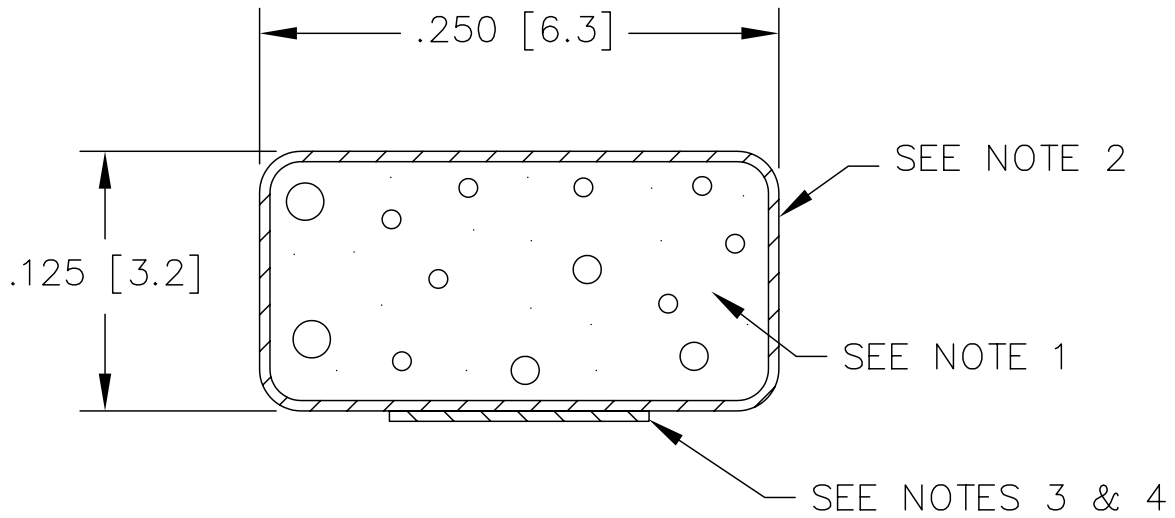


CONFIDENTIAL & PROPRIETARY

THIS INFORMATION IS CONFIDENTIAL AND PROPRIETARY TO LAIRD TECHNOLOGIES. IT MAY NOT BE DISCLOSED TO ANYONE OTHER THAN LAIRD TECHNOLOGIES PERSONNEL WITHOUT WRITTEN AUTHORIZATION FROM LAIRD TECHNOLOGIES.



NOTES:

1. FOAM: POLYURETHANE
2. FABRIC: NICKEL PET-TAF FR Ecogreen
3. TAPE: .125" TAPE HI-TEMP
4. LINER: NO EXTENDED RELEASE LINER
5. FABRIC SEAM LOCATION MAY VARY.
6. CARRIER: NO CARRIER
7. THIS PART IS RoHS COMPLIANT.

|            |                  |              |          |        |  |
|------------|------------------|--------------|----------|--------|--|
| REVISIONS: | TITLE:           | DRAWN        | DATE     | SCALE: | DIMENSIONS ARE IN INCHES. UNLESS OTHERWISE SPECIFIED, TOLERANCES ARE AS FOLLOWS: |
|            | SHIELDING GASKET | GIBILTERRA   | 10/02/07 | 1/1    |  |
|            | Dwg. or Part No. | CHECKED BY:  | DATE     |        | DECIMALS   |
|            | 4788-PA-51H      | FJG          | 10/02/07 |        | LENGTH   |
|            | REV. 0           | RELEASED BY: | DATE     |        | ANGLES   |
|            |                  | FJG          | 10/02/07 |        |  |

