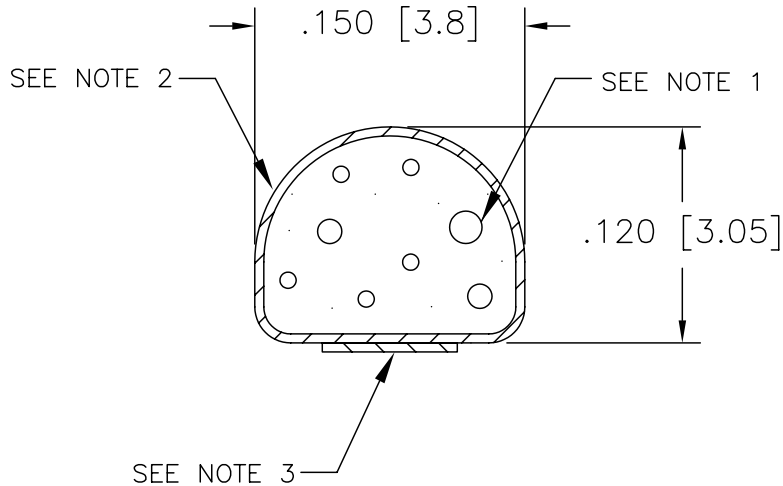


CONFIDENTIAL & PROPRIETARY

THIS INFORMATION IS CONFIDENTIAL AND PROPRIETARY TO LAIRD TECHNOLOGIES. IT MAY NOT BE DISCLOSED TO ANYONE, OTHER THAN LAIRD TECHNOLOGIES PERSONNEL, WITHOUT WRITTEN AUTHORIZATION FROM LAIRD TECHNOLOGIES.



NOTES:

1. FOAM: POLYURETHANE
2. FABRIC: NICKEL PET TAF FR Ecogreen
3. TAPE: .075" TAPE HI-TEMP
4. LINER: NO EXTENDED RELEASE LINER
5. FABRIC SEAM LOCATION MAY VARY.
6. THIS PART IS RoHS COMPLIANT.

REVISIONS:	TITLE:	DRAWN	DATE	SCALE:	DIMENSIONS ARE IN INCHES. UNLESS OTHERWISE SPECIFIED, TOLERANCES ARE AS FOLLOWS:	
	SHIELDING GASKET	GIBILTERRA	10/01/07	1/1		
	Dwg. or Part No.	CHECKED BY:	DATE		DECIMALS	
	4742-PA-51H	FJG	10/01/07		LENGTH	
	REV.	RELEASED BY:	DATE		.XX ± .03	0" - 6" ± .030"
	0	FJG	10/01/07		.XXX ± .020	6" - 11" ± .050"
						11" - 48" ± .100"
					ANGLES	48" - 70" ± .187"
						70" - 144" ± .250"

