

Supply Voltage: 1.8 to 3.6 V

- Typical sleep mode current <math>< 0.1 \mu\text{A}</math>; retains state and RAM contents over full supply range; fast wakeup of <math>< 2 \mu\text{s}</math>
- Two built-in brown-out detectors cover sleep and active modes

10-Bit Analog to Digital Converter

- Up to 300 ksp/s
- Up to 18 external inputs
- External pin or internal VREF (no external capacitor required)
- Built-in temperature sensor ($\pm 3 \text{ }^\circ\text{C}$); no calibration required
- External conversion start input option
- Autonomous burst mode with 16-bit automatic averaging accumulator

Dual Comparators

- Programmable hysteresis and response time
- Configurable as interrupt or reset source
- Low current ($< 0.5 \mu\text{A}$)

Memory

- 64 kB bytes Flash; in-system programmable in 1024-byte sectors; full read/write/erase functionality over the entire supply range
- 4352 bytes internal data RAM (256 + 4K)

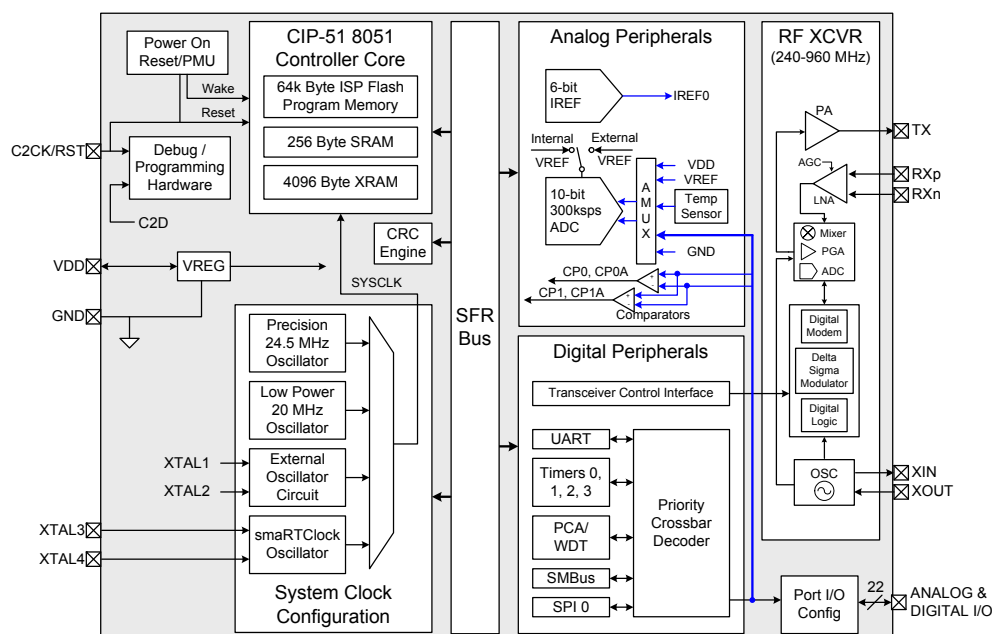
On-Chip Debug

- On-chip debug circuitry facilitates full speed, non-intrusive in-system debug (no emulator required)

High-Speed 8051 μC Core

- Pipe-lined instruction architecture; executes 70% of instructions in 1 or 2 system clocks
- 25 MIPS peak throughput with 25 MHz clock

Development Kit: Si1000DK



Transceiver Features

- Frequency range = 240–960 MHz
- Sensitivity = -121 dBm
- FSK, GFSK, and OOK modulation
- Max output power = $+13 \text{ dBm}$
- RF power consumption
 - 18.5 mA receive
 - 30 mA @ $+13 \text{ dBm}$ transmit
 - 18 mA @ $+1 \text{ dBm}$ transmit
- Data rate = 0.123 to 256 kbps
- Auto-frequency calibration (AFC)
- Antenna diversity and transmit/receive switch control
- Programmable packet handler
- TX and RX 64 byte FIFOs
- Frequency hopping capability
- On-chip crystal tuning

Digital Peripherals

- 22 port I/O
- Hardware enhanced UART, SPI and I²C serial ports available concurrently
- Low power 32-bit smaRTClock
- Four general purpose 16-bit counter/timers; six channel programmable counter array (PCA)

Clock Sources

- Precision internal oscillators: 24.5 MHz with $\pm 2\%$ accuracy supports UART operation; spread-spectrum mode for reduced EMI
- Low power 20 MHz internal oscillator
- External oscillator: crystal, RC, C, CMOS clock
- smaRTClock oscillator: 32.768 kHz crystal or self-oscillate

Ordering Part Number

- Si1002-C-GM, 42-pin QFN, 5 x 7 mm²