

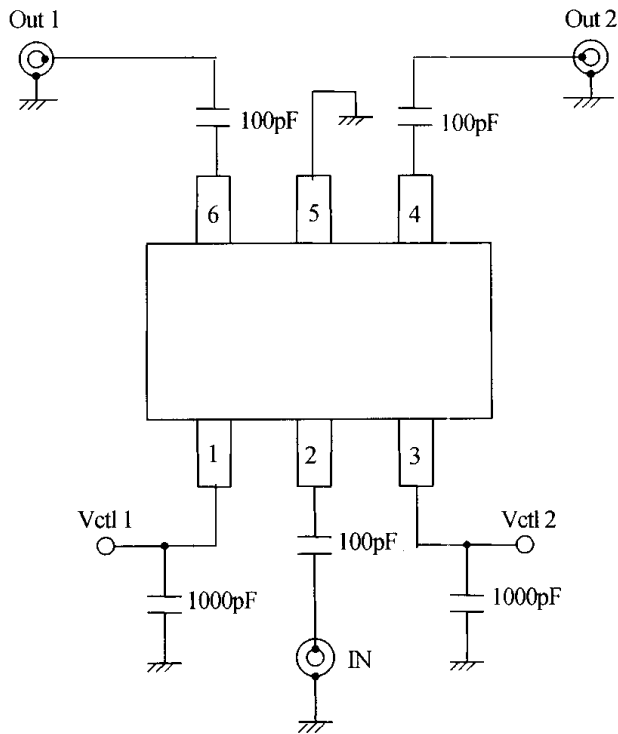
| Product Specification Type Number: GN04017N0L | | Designed | Checked | Checked | Approved | |
|--|---|----------------------------------|--------------------|---------------------------|----------------------------|------|
| Type | GaAs Integrated Circuit | | | | | |
| Application | High Frequency Switching for Mobile Communication | | | | | |
| Structure | N Channel Metal Semiconductor Type MMIC | | | | | |
| Outline | Smini6-G1 | | | Marking : AE | | |
| Absolute Maximum Ratings | VDD 8 (V) | Vctrl(H)-Vctrl(L) +6 (V) | Pin 37 (dBm) | Topr -30~+90 (degC) | Tstg -40~+120 (degC) | |
| Electrical Characteristics (Vcont(L)=0V, Vcont(H)=3.0V, f=1920 - 2170MHz, Ta=25+/-3degC) | | | | | | |
| Item | Symbol | Measuring Conditions | Typ. | Limit | | Unit |
| | | | | Min | Max | |
| Insertion Loss | IL *1 | IN-OUT1, Pin=26dBm, f=887~925MHz | 0.20 | | 0.45 | dB |
| | | IN-OUT2, Pin=26dBm, f=887~925MHz | 0.20 | | 0.45 | dB |
| Isolation | ISO *1 | IN-OUT1(IN-OUT2 ON) f=887~925MHz | 28 | 23 | | dB |
| | | IN-OUT2(IN-OUT1 ON) f=887~925MHz | 28 | 23 | | dB |
| Voltage Standing Wave Ratio | VSWR *2 | IN-OUT1 f=887~925MHz | 1.05 | | 1.15 | dB |
| | | IN-OUT2 f=887~925MHz | 1.05 | | 1.15 | dB |
| Input 0.1dB Compression | Pin *1 (0.1dB) | Vctrl(H)=3V f=887~925MHz | 32 | 30 | | dBm |
| Input 1dB Compression | Pin *2 (1.0dB) | Vctrl(H)=3V f=887~925MHz | 34 | 32 | | dBm |
| Control Current | Ictrl *1 | | 10 | | 30 | uA |
| Switching Time | Tsw | | 0.2 | | 1 | us |
| Note: *1: See the test circuits in the next page *2: Designed specification | | | | | | |
| | | | | | | |
| | | | | | | |

Semiconductor Company, Matsushita Electric Industrial Co., Ltd.

Product Specification
 Type Number: GN04017N0L

Unit: mm

Test Circuit



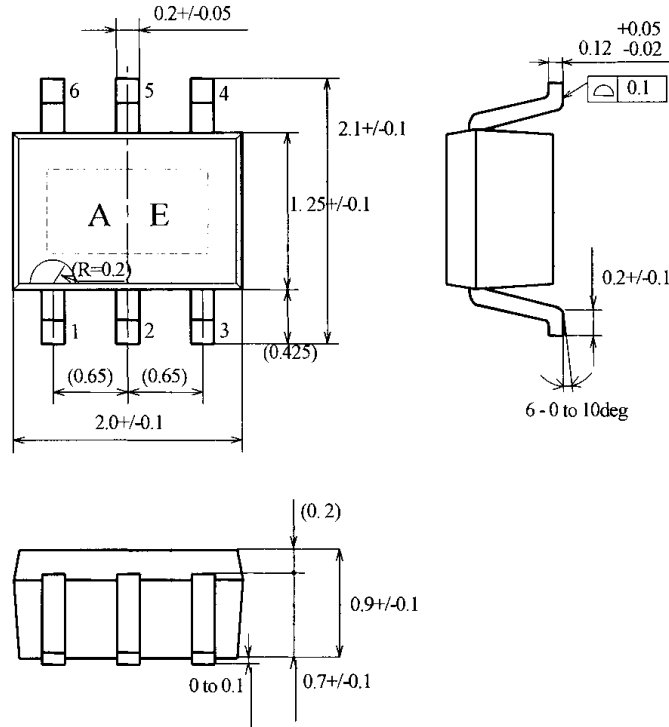
Logic table

| ON - Path | Vctrl 1 | Vctrl 2 |
|-----------|---------|---------|
| IN - OUT1 | H | L |
| IN - OUT2 | L | H |

Product Specification
 Type Number: GN04017N0L

Unit : mm

Outline : Smini6-G1



Pin out

| | |
|---|-----------|
| 1 | : Vctrl 1 |
| 2 | : IN |
| 3 | : Vctrl 2 |
| 4 | : OUT2 |
| 5 | : GND |
| 6 | : OUT1 |

| Item | Contents |
|---------------|---------------------------|
| Lead material | Cu |
| Lead finish | Solder dipping or Plating |
| Mold material | Epoxy |