

## Dual-IF AM/FM digital radio receiver

Data Brief

### Feature summary

- DIGITAL DIVERSITY SYSTEM
- DIGITAL DIRECTIONAL ANTENNA SYSTEM
- TWO 5-BIT  $\Sigma\Delta$  INTERMEDIATE FREQUENCY ADCs
- INTERMEDIATE FREQUENCY PROCESSOR
- AUDIO FILTER PROCESSOR
- TWO 16-BIT STEREO AUDIO ADCs WITH INPUT AUDIO MULTIPLEXER
- TWO 24-BIT STEREO AUDIO DACs WITH 5-BIT ANALOG VOLUME CONTROL
- RADIO DATA SYSTEM (RDS) PROCESSOR
- DSP-EMERALD SUBSYSTEM

24-bit, fixed point, 116MIPS DSP-EMERALD core

16k x 32bit (64kByte) program ROM (PROM)

6k x 32bit (64kByte) program RAM (PRAM)

6k x 24bit (18kByte) data XRAM

6k x 24bit (18kByte) data YRAM

- ARM7 SUBSYSTEM

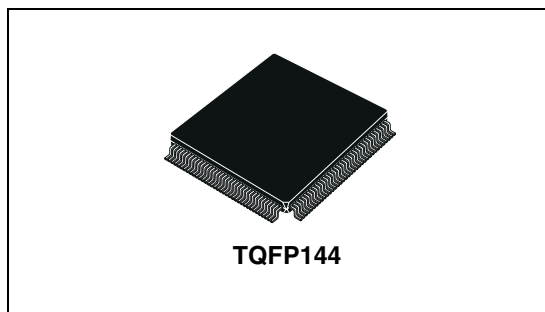
32-bit, fixed point, 58MIPS ARM7TDMI core

14kByte data RAM

38kByte program RAM (PRAM)

26kByte program ROM

JTAG/ETM7 real-time debugging



#### Internal Peripherals:

- Direct Memory Access (DMA)
- Asynchronous Serial Interface UART (SCI)
- Synchronous Serial Interfaces BSPI (SPI2)
- 32 multifunctional bidirectional I/O lines (GPIO)
- I<sup>2</sup>C interface
- Watch Dog (WDOG)
- Wake-up Interrupt Management Unit (WUIMU)
- Timer (EFT)
- DIGITAL INPUT INTERFACES (SAI1-4, SPDIF)
- DIGITAL OUTPUT INTERFACES (IBOC, DRM, SAI1-4)
- ON-BOARD XTAL OSCILLATOR AND PLL
- CLOCK REFERENCE GENERATION FOR FRONT\_END IC
- EXTERNAL CONTROL INTERFACES (JTAG/ETM7, I<sup>2</sup>C, SPI1, SPI2, SCI, GPIO)

### Order codes

Part number	Op. Temp. range, °C	Package	Packing
STA3005	-40 to +85	TQFP144	Tube

## Description

STA3005 is a high-performance, fully programmable advanced radio receiver, designed to target AM/FM/HD radio, speech and audio applications.

It is a dual-IF radio processor, with dynamically variable channel filtering; it also features both digital diversity (for dual-tuner systems) and digital directional antenna (single-tuner multiple antennas) for outstanding reception capability.

STA3005 is more than a radio-receiver; it features advanced audio processing, running on an EMERALD DSP for maximum flexibility and efficiency; sample rate converters, high-performance audio ADCs, DACs and multiple industry-standard digital I/O-interfaces make STA3005 the right answer to high-performance audio-processing platforms.

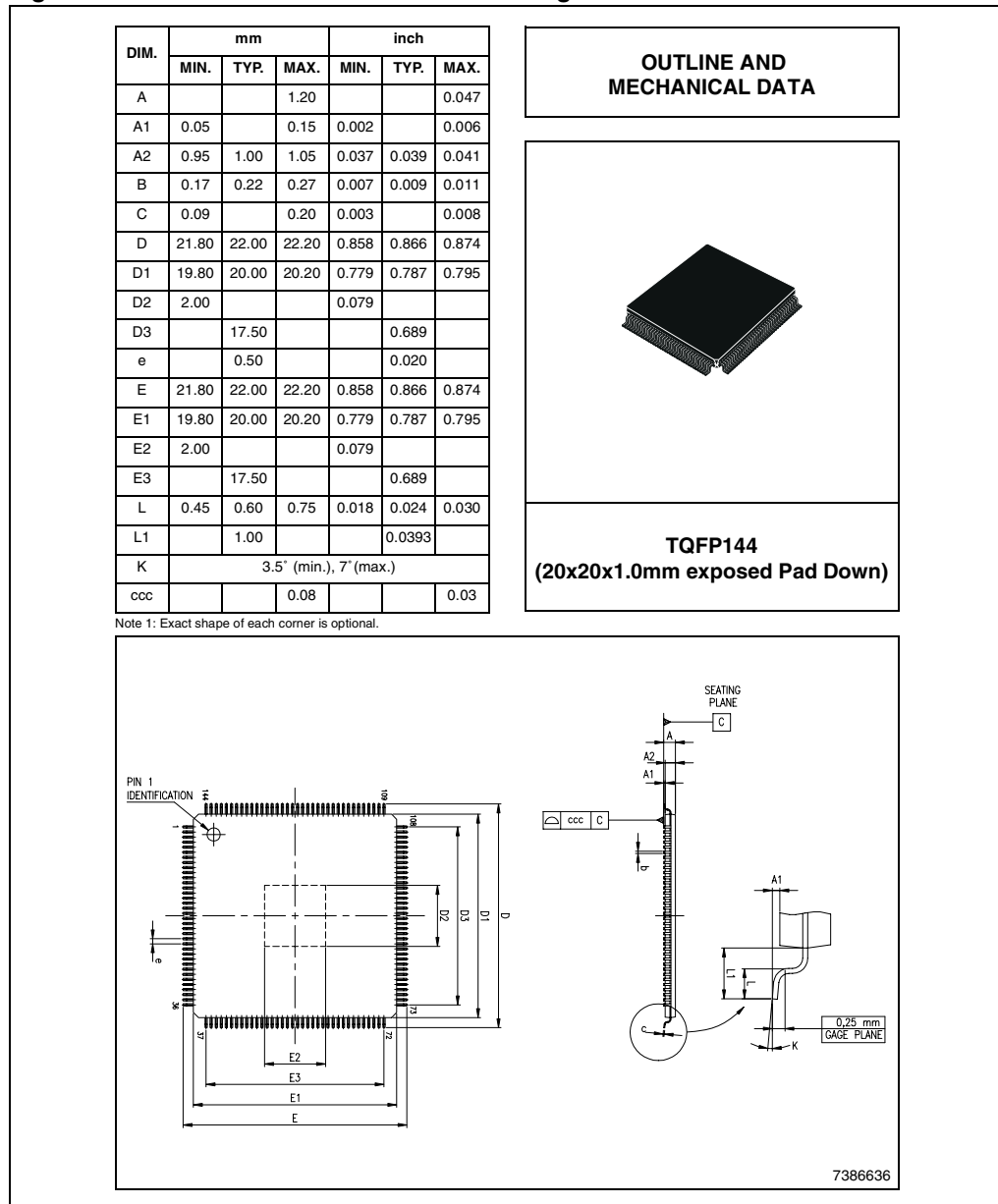
Robust and customizable applications can be easily achieved thanks to the integrated ARM7 microcontroller, which allows controlling and monitoring all the internal peripherals.

# Package informations

In order to meet environmental requirements, ST offers this device in ECOPACK<sup>®</sup> packages. These packages have a Lead-free second level interconnect. The category of second level Interconnect is marked on the package and on the inner box label, in compliance with JEDEC Standard JESD97. The maximum ratings related to soldering conditions are also marked on the inner box label. ECOPACK is an ST trademark.

ECOPACK specifications are available at: [www.st.com](http://www.st.com).

**Figure 1. TQFP144 Mechanical Data & Package Dimensions**



## Revision history

Table 1. Document revision history

Date	Revision	Changes
28-Jun-2006	1	Initial release.

**Please Read Carefully:**

Information in this document is provided solely in connection with ST products. STMicroelectronics NV and its subsidiaries ("ST") reserve the right to make changes, corrections, modifications or improvements, to this document, and the products and services described herein at any time, without notice.

All ST products are sold pursuant to ST's terms and conditions of sale.

Purchasers are solely responsible for the choice, selection and use of the ST products and services described herein, and ST assumes no liability whatsoever relating to the choice, selection or use of the ST products and services described herein.

No license, express or implied, by estoppel or otherwise, to any intellectual property rights is granted under this document. If any part of this document refers to any third party products or services it shall not be deemed a license grant by ST for the use of such third party products or services, or any intellectual property contained therein or considered as a warranty covering the use in any manner whatsoever of such third party products or services or any intellectual property contained therein.

**UNLESS OTHERWISE SET FORTH IN ST'S TERMS AND CONDITIONS OF SALE ST DISCLAIMS ANY EXPRESS OR IMPLIED WARRANTY WITH RESPECT TO THE USE AND/OR SALE OF ST PRODUCTS INCLUDING WITHOUT LIMITATION IMPLIED WARRANTIES OF MERCHANTABILITY, FITNESS FOR A PARTICULAR PURPOSE (AND THEIR EQUIVALENTS UNDER THE LAWS OF ANY JURISDICTION), OR INFRINGEMENT OF ANY PATENT, COPYRIGHT OR OTHER INTELLECTUAL PROPERTY RIGHT.**

**UNLESS EXPRESSLY APPROVED IN WRITING BY AN AUTHORIZED REPRESENTATIVE OF ST, ST PRODUCTS ARE NOT DESIGNED, AUTHORIZED OR WARRANTED FOR USE IN MILITARY, AIR CRAFT, SPACE, LIFE SAVING, OR LIFE SUSTAINING APPLICATIONS, NOR IN PRODUCTS OR SYSTEMS, WHERE FAILURE OR MALFUNCTION MAY RESULT IN PERSONAL INJURY, DEATH, OR SEVERE PROPERTY OR ENVIRONMENTAL DAMAGE.**

Resale of ST products with provisions different from the statements and/or technical features set forth in this document shall immediately void any warranty granted by ST for the ST product or service described herein and shall not create or extend in any manner whatsoever, any liability of ST.

ST and the ST logo are trademarks or registered trademarks of ST in various countries.

Information in this document supersedes and replaces all information previously supplied.

The ST logo is a registered trademark of STMicroelectronics. All other names are the property of their respective owners.

© 2006 STMicroelectronics - All rights reserved

STMicroelectronics group of companies

Australia - Belgium - Brazil - Canada - China - Czech Republic - Finland - France - Germany - Hong Kong - India - Israel - Italy - Japan - Malaysia - Malta - Morocco - Singapore - Spain - Sweden - Switzerland - United Kingdom - United States of America

[www.st.com](http://www.st.com)

