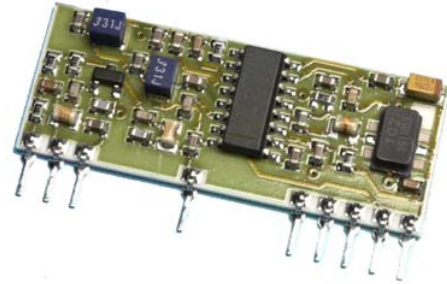


- Compact Hybrid Module.
- Ceramic Substrate
- Very High Frequency Stability
- Receiving Range Up To 100 Metres.
- CMOS/TTL Compatible Output.
- Single Supply Voltage 5V.
- Compatible with R.F. Solutions AM Transmitters.

- Compliant to ETS300-220
- **RRQ3 Version**
 - Sleep Mode
 - Sensitivity Typically -107 dBm
 - 315 / 433 / 868MHz Available
- **RRQ5 Version**
 - Front End SAW Filter
 - Sensitivity Typically -110 dBm
 - 433MHz Available

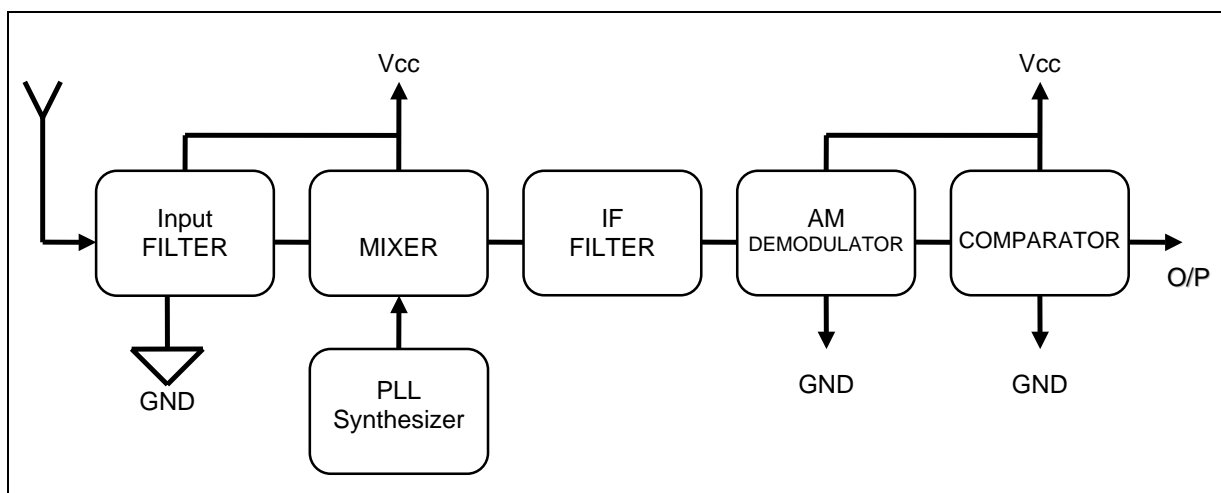


Description

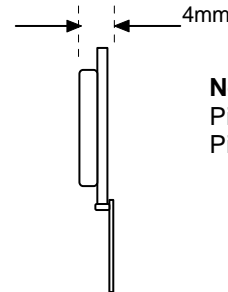
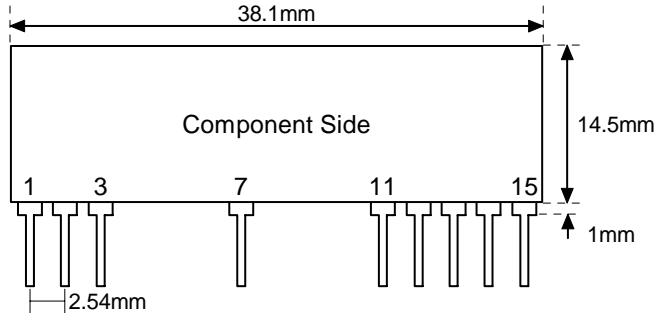
The RF Solutions AM Superheterodyne Receivers are compact modules, which can be used to capture undecoded data from any equivalent AM Transmitter, such as R.F. Solutions AM-RT4 range of transmitters. (See AM Transmitter datasheet).

Receivers are manufactured on a ceramic substrate, the RRS3 incorporates an LC Filter, pre amplifier front end and PLL Synthesizer for high sensitivity and reduced EMC emissions. The RRQ5 incorporates a SAW Filter to provide a further increase in the module sensitivity. The modules show a very high frequency stability over a wide operating temperature even when subjected to mechanical vibrations or manual handling offering a very cost effective solution.

Block diagram



AM-RRQ3 Mechanical Dimensions



Notes

Pins on 0.1" pitch
Pin Dims :0.25 x 0.50mm

Pin Descriptions

RRQ3	
Pin No	Pin Name
1	+Vcc
2	GND
3	DATA IN (Antenna)
7	GND
11	GND
12	+Vcc
13	RSSI (output)
14	DATA OUT
15	PD (Power Down input) 0 = Standby Mode (I _{standby} 100nA max) 5V = Normal Operation

RSSI Output

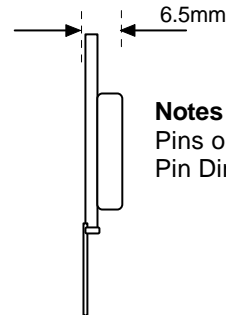
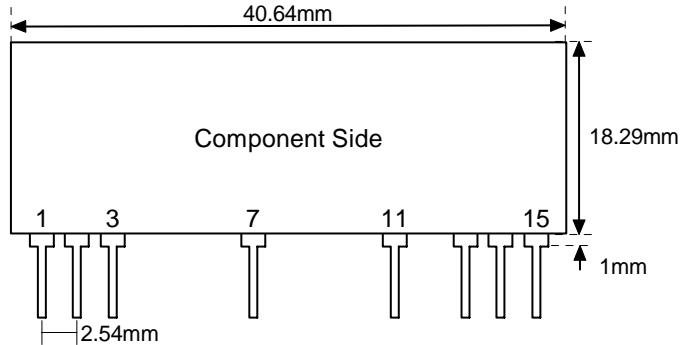
RF In (dBm)	RSSI (V)
-120	1.20
-110	1.32
-100	1.50
-90	1.78
-80	2.06
-70	2.35
-60	2.62
-50	2.72
-40	2.75

Electrical Characteristics

Ambient temperature = 25°C.

Electrical Characteristics	Min	Typical	Max	Dimension
Supply Voltage (Vcc)	4.5	5	5.5	V
Supply Current		5	6	mA
Receiver Frequency 315MHz variants		315		MHz
Receiver Frequency 433MHz variants		433.92		MHz
Receiver Frequency 868MHz variants		868.35		MHz
Low Level Output Voltage (I=10uA)			0.8	V
High Level Output Voltage (I=200uA)	Vcc-1			V
Operating Temperature Range	-25		+80	°C
R.F Sensitivity (100% AM) at 315 / 433MHz		-106		dBm
R.F Sensitivity (100% AM) at 868MHz		-101		dBm
3dB Bandwidth		+/-150		KHz
Max Data Rate			4.8	KHz
Level of Emitted Spectrum			-70	dBm

AM-RRQ5 Mechanical Dimensions



Notes
 Pins on 0.1" pitch
 Pin Dims :0.25 x 0.50mm

Pin Descriptions

RRQ5	
Pin No	Pin Name
1	+Vcc
2	GND
3	DATA IN (Antenna)
7	GND
11	GND
13	RSSI (output)
14	DATA OUT
15	+Vcc

RSSI Output

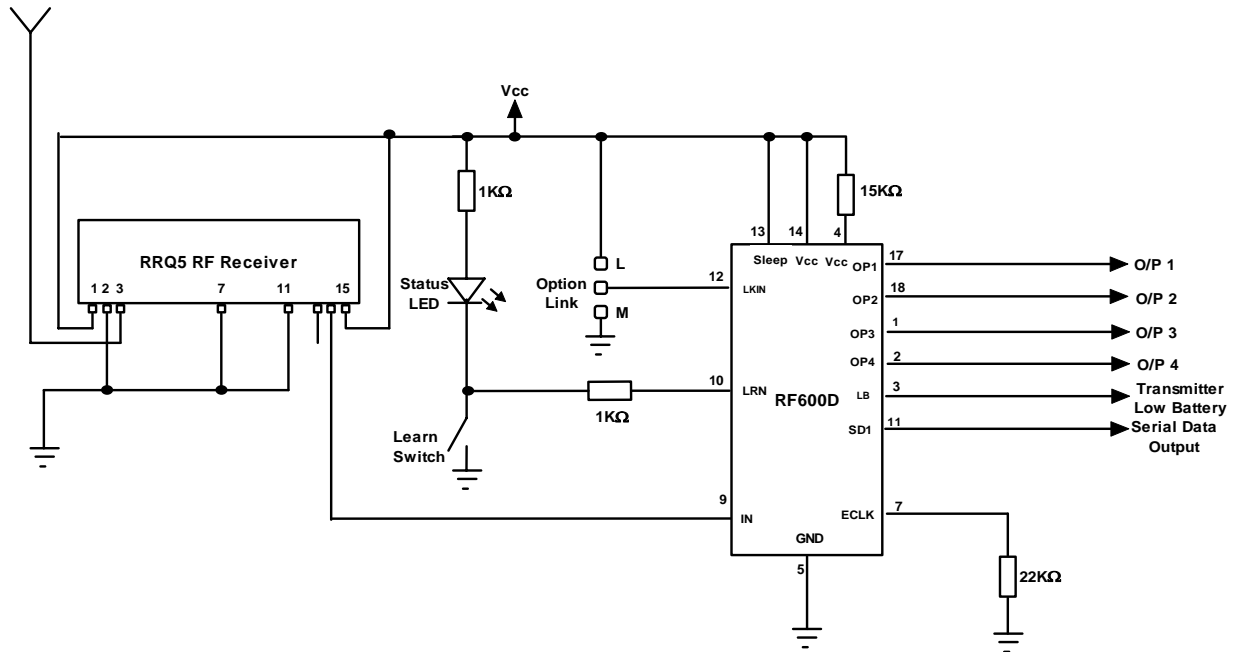
RF In (dBm)	RSSI (V)
-120	1.20
-110	1.32
-100	1.50
-90	1.78
-80	2.06
-70	2.35
-60	2.62
-50	2.72
-40	2.75

Electrical Characteristics

Ambient temperature = 25°C.

Electrical Characteristics	Min	Typical	Max	Dimension
Supply Voltage (Vcc)	4.5	5	5.5	V
Supply Current		6	7	mA
Receiver Frequency 433MHz variants		433.92		MHz
Low Level Output Voltage (I=10uA)			0.8	V
High Level Output Voltage (I=200uA)	Vcc-1			V
Operating Temperature Range	-25		+80	°C
R.F Sensitivity (100% AM)	-108	-110		dBm
3dB Bandwidth		+/-150		KHz
Max Data Rate			4.8	KHz
Level of Emitted Spectrum			-70	dBm

Application Circuit



Notes

- Do not use Veroboard or Stripboard to mount the module!
- Ensure the supply is stable (ideally <10mVpk ripple).
- Keep the module away from other EMF generating components.
- Mount the antenna as close to the module as possible.

Part numbering

AM-RRQ3-315	Receiver Module 315MHz
AM-RRQ3-433	Receiver Module 433MHz
AM-RRQ3-868	Receiver Module 868MHz
AM-RRQ5-433	Receiver Module, SAW Filter, 433MHz

Should you require further assistance, please call:

R. F. Solutions Ltd.,
Unit 21, Cliffe Industrial Estate,
South Street, Lewes,
E Sussex, BN8 6JL. England.
Tel +44 (0)1273 898 000. Fax +44 (0)1273 480 661.
Email sales@rfsolutions.co.uk
http://www.rfsolutions.co.uk

RF Solutions is a member of the Low Power Radio Association.

Information contained in this document is believed to be accurate, however no representation or warranty is given and no liability is assumed by R.F. Solutions Ltd. with respect to the accuracy of such information. Use of R.F.Solutions as critical components in life support systems is not authorised except with express written approval from R.F.Solutions Ltd.