

3 Ordering Information

| Extended Type Number | Package | Remarks |
|----------------------|---------|------------------------|
| CME6005-DDT | no | die in trays |
| CME6005-TCSH | yes | SSO16 |
| CME6005-TCQH | Yes | SSO16 Taped and reeled |

*The packaged version of CME6005 complies with lead free JEDEC standard J-STD 020B.

4 Absolute Maximum Ratings

| Parameters | Symbol | Value | Unit |
|---|----------------------|-------------|------|
| Supply voltage | VCC | 5.5 | V |
| Ambient temperature range | T _{amb} | -40 to +85 | °C |
| Storage temperature range | R _{stg} | -55 to +150 | °C |
| Junction temperature | T _j | 125 | °C |
| Electrostatic handling (MIL Standard 883 D HBM) | +/- V _{ESD} | +/-4000 | V |
| Electrostatic handling (MIL MM) | +/- V _{ESD} | +/-400 | V |

5 PAD Coordinates

The CME6005 is available as die for "chip-on-board" mounting and in SSO16 package.

DIE size: 1,42mm x 1,63 mm

PAD size: 100 x 100 μm (contact window 84μm / 84μm)

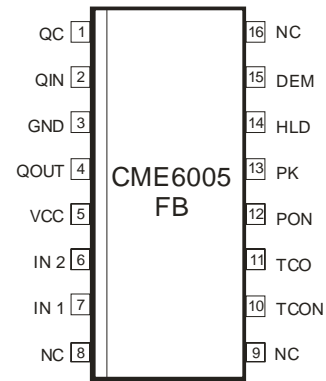
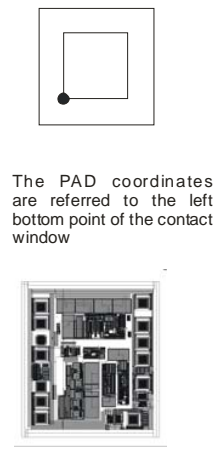
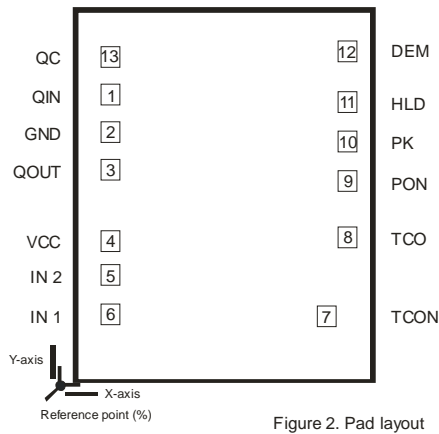
Thickness: 300μm±10μm

| Symbol | Function | x-axis (μm) | y-axis (μm) | Pad # (dice) | Pin # (SSO16*) |
|--------|------------------------|-------------|-------------|--------------|----------------|
| QIN | Crystal Input | 118,5 | 1138,2 | 1 | 2 |
| GND | Ground | 118,5 | 969,6 | 2 | 3 |
| QOUT | Crystal output | 118,5 | 803,3 | 3 | 4 |
| VCC | Supply voltage | 118,5 | 464,8 | 4 | 5 |
| IN2 | Antenna input 2 | 118,5 | 304,8 | 5 | 6 |
| IN1 | Antenna input 1 | 118,5 | 99,6 | 6 | 7 |
| TCON | Negative signal output | 1039,5 | 87,6 | 7 | 10 |
| TCO | Positive signal output | 1167,8 | 471,3 | 8 | 11 |
| PON | Power ON input | 1167,8 | 738,4 | 9 | 12 |
| PK | Capacity for AGC | 1167,8 | 924,3 | 10 | 13 |
| HLD | AGC hold | 1167,8 | 1141,5 | 11 | 14 |
| DEM | Demodulator output | 1167,8 | 1326,4 | 12 | 15 |
| QC | Crystal matching Cap | 118,5 | 1319,1 | 13 | 1 |

Coordinate requirements should be achieved

6- Pad Layout

Pin Layout SSO16



PIN Description

IN1, IN2

A ferrite antenna is connected between IN 1 and IN 2. For high sensitivity, the Q factor of the antenna circuit should be as high as possible. Please note that a high Q factor requires temperature compensation of the resonant frequency in most cases. We recommend a Q factor between 40 and 150, depending on the application. An optimal signal-to-noise ratio will be achieved by a resonator resistance of 40 kΩ to 100 kΩ.

QOUT, QIN , QC

In order to achieve a high selectivity, a crystal is connected between the Pins QOUT and QIN. It is used with the serial resonant frequency according to the time-code transmitter and acts as a serial resonator. Up to 2 crystals can be connected parallel between QOUT and QIN. For one crystal, the given parallel capacitor of the filter crystal (about 1.4 pF) is internally compensated so that the bandwidth of the filter is about 10 Hz. For two crystals, an additional external capacitor with the value of about 1.4 pF has to be connected parallel between QC and QIN. The impedance of QIN is high. Parasitic loads have to be avoided.

DEM

Demodulator output. To ensure the function, an external capacitor has to be connected at this output.

HLD

AGC hold mode: HLD high ($V_{HLD} = V_{CC}$) sets normal function, HLD low ($V_{HLD} = 0$) holds for a short time the AGC voltage. This can be used to prevent the AGC from peak voltages, created by e.g. a stepper motor

PK

Peak detector output. An external capacitor has to be connected to ensure the function of the AGC regulation. The value of the capacitance influences the AGC regulation time.

NOTE: To realize a good regulation timing of the demodulator and the peak detector the value of the capacitors at DEM and PK have to be changed for the different protocols.

| SPEC No. | Revision | State | C-MAX printed | Version | Page |
|----------|----------|----------|---------------|---------|---------|
| CME6005 | A.8 | 04.12.06 | 03.05.2007 | English | 3 of 15 |

VCC, GND

V_{CC} and GND are the supply voltage inputs. The positive supplies have to be connected externally, and also the ground pins.

To power down the circuitry it is recommended to use the PON input and not to switch the power supply. Switching the power supply results in a long power up waiting time.

PON

If PON is connected to GND, the receiver will be activated. The setup time is typically 0.5 sec after applying GND to this pin. If PON is connected to VCC, the receiver will switch to Power Down mode.

TCO, TCON

The serial signal of the time-code transmitter can be directly decoded by a micro controller. Details about the time-code format of several transmitters are described separately. If TCO is connected, TCON must be open or counterwise.

| SPEC No. | Revision | State | C-MAX printed | Version | Page |
|----------|----------|----------|---------------|---------|---------|
| CME6005 | A.8 | 04.12.06 | 03.05.2007 | English | 4 of 15 |

7 Design Hints for the Ferrite Antenna

7.1 Dimensioning of antenna circuit for different clock/watch applications

The bar antenna is a very critical device of the complete clock receiver. Observing some basic RF design rules helps to avoid possible problems. The IC requires a resonant resistance of 40 kΩ to 100 kΩ. This can be achieved by a variation of the L/C-relation in the antenna circuit. In order to achieve this resonant resistance, we recommend to use antenna capacitors of a value between 2.2nF and 6.8nF. The optimum value of the capacitor has to be specified respecting the concrete application needs and different boundary conditions (ferrite material, type of antenna wire, available space for antenna coil). It is not easy to measure such high resistances in the RF region. A more convenient way is to distinguish between the different bandwidths of the antenna circuit and to calculate the resonant resistance afterwards.

Thus, the first step in designing the antenna circuit is to measure the bandwidth. Figure 12 shows an example for the test circuit. The RF signal is coupled into the bar antenna by inductive means, e.g., a wire loop. It can be measured by a simple oscilloscope using the 10:1 probe. The input capacitance of the probe, typically about 10 pF, should be taken into consideration. By varying the frequency of the time signal generator, the resonant frequency can be determined.

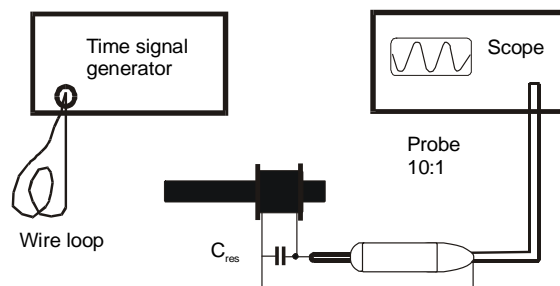


Figure 12.

At the point where the voltage of the RF signal at the probe drops by 3 dB, the two frequencies can then be measured. The difference between these two frequencies is called the bandwidth BW_A of the antenna circuit. As the value of the capacitor C_{res} in the antenna circuit is known, it is easy to compute the resonant resistance according to the following formula:

$$R_{res} = \frac{1}{2 \times \pi \times BW_A \times C_{res}}$$

Where

R_{res} is the resonant resistance,
 BW_A is the measured bandwidth

C_{res} is the value of the capacitor in the antenna circuit (Farad).

If high inductance values and low capacitor values are used, the additional parasitic capacitance of the coil must be considered. The Q value of the capacitor should be no problem if a high Q type is used. The Q value of the coil differs more or less from the DC resistance of the wire. Skin effects can be observed but do not dominate.

Therefore, it should not be a problem to achieve the recommended values of the resonant resistance. The use of thicker wire increases the Q value and accordingly reduces bandwidth. This is advantageous in order to improve reception in noisy areas. On the other hand temperature compensation of the resonant frequency might become a problem if the bandwidth of the antenna circuit is low compared to the temperature variation of the resonant frequency. Of course, the Q value can also be reduced by a parallel resistor.

Temperature compensation of the resonant frequency is a must if the clock is used at different temperatures. Please ask your supplier of bar antenna material and of capacitors for specified values of the temperature coefficient.

Furthermore, some critical parasitics have to be considered. These are shortened loops (e.g., in the ground line of the PCB board) close to the antenna and undesired loops in the antenna circuit. Shortened loops

| SPEC No. | Revision | State | C-MAX printed | Version | Page |
|----------|----------|----------|---------------|---------|---------|
| CME6005 | A.8 | 04.12.06 | 03.05.2007 | English | 5 of 15 |

decrease the Q value of the circuit. They have the same effect like conducting plates close to the antenna. To avoid undesired loops in the antenna circuit, it is recommended to mount the capacitor C_{res} as close as possible to the antenna coil or to use a twisted wire for the antenna-coil connection. This twisted line is also necessary to reduce feedback of noise from the microprocessor to the IC input. Long connection lines must be shielded.

A final adjustment of the time-code receiver can be carried out by pushing the coil along the bar antenna.

7.2 Dimensioning of capacitor C_{DEM}

The value of 22nF for capacitor C_{DEM} as shown in chapter 9 and 10 represents the minimum value for frequency of 77.5 kHz. For lower frequencies (40kHz, 60kHz) a minimum value of $C_{DEM}=47nF$ should be used. For a better damping of noise and other interference it is recommended to double the values of C_{DEM} . That means $C_{DEM} = 47nF$ for 77.5kHz and $C_{DEM} = 100nF$ for 40kHz and 60kHz. This optimization has to be done according to each application.

8 Electrical Characteristics

$V_{CC} = 3V$, input signal frequency 77.5 kHz +/- 5 Hz; carrier voltage 100% reduction to 25% for $t_{MOD} = 200ms$;
 $t_{amb} = 25^{\circ}C$, max./min. limits are at +25...C ambient temperature, unless otherwise specified.

| SPEC No. | Revision | State | C-MAX printed | Version | Page |
|----------|----------|----------|---------------|---------|---------|
| CME6005 | A.8 | 04.12.06 | 03.05.2007 | English | 6 of 15 |

| Parameter | Test condition / Pin | Symbol | Min. | Typ. | Max. | Unit |
|---|-------------------------|-----------------|-----------------------|------|-----------------------|------|
| Supply voltage range | Pad/Pin V _{CC} | V _{CC} | 1.2 | | 5.5 | V |
| Supply current | Pad/Pin V _{CC} | I _{CC} | | <90 | 110 | μA |
| Set-up time after V _{CC} ON | V _{CC} = 3V | t | | 1.5 | | s |
| Reception frequency range | | F _{in} | 40 | | 120 | kHz |
| Minimum input voltage | Pad/Pin IN1, IN2 | V _{in} | | 0.4 | 0.6 | μV |
| Maximum input voltage | Pad/Pin IN1, IN2 | V _{in} | 30 | 50 | | mV |
| Input amplifier max. gain (V _{PK} = 0.2V) | | V _{U1} | | 47 | | dB |
| Input amplifier min. gain (V _{PK} = 0.8V) | | V _{U2} | | -40 | | dB |
| Pins TCO, TCON | | | | | | |
| Output low | I _{ol} = 10μA | | | | 0.1 x V _{CC} | V |
| Output high | I _{oh} = -10μA | | 0.9 x V _{CC} | | | V |

Power-ON control; PON Pad/Pin PON

| | | | | | | |
|--------------------------------|---|------------------|----------------------|------|----------------------|--------|
| Input level | Low level High level | | 0.85 V _{CC} | | 0.15 V _{CC} | V V |
| Input leakage current | 0 < V _i < V _{CC} | | -0.1 | | 0.1 | μA |
| Quiescent current receiver OFF | V _{PON} =V _{CC} , Pad/Pin V _{CC} | I _{CC0} | | 0.03 | 0.05 | μA |
| Set-up time after PON | | t | | 0.5 | 2 | s |

AGC hold mode; HLD Pad/Pin HLD

| | | | | | | |
|-----------------------|--------------------------------------|--|----------------------|--|----------------------|--------|
| Input level | Low level High level | | 0.85 V _{CC} | | 0.15 V _{CC} | V V |
| Input leakage current | 0 < V _i < V _{CC} | | -0.1 | | 0.1 | μA |

AC characteristics

| | | | | | | |
|-------------------------------------|--|--------------------|-----|-----|-----|----|
| Output pulse width for TCO and TCON | Modulation according DCF, 200 ms pulse | t _{WO200} | 170 | 195 | 230 | ms |
| Output pulse width for TCO and TCON | Modulation according DCF, 100 ms pulse | t _{WO100} | 70 | 95 | 130 | ms |

9 Test Circuitry for single frequency reception

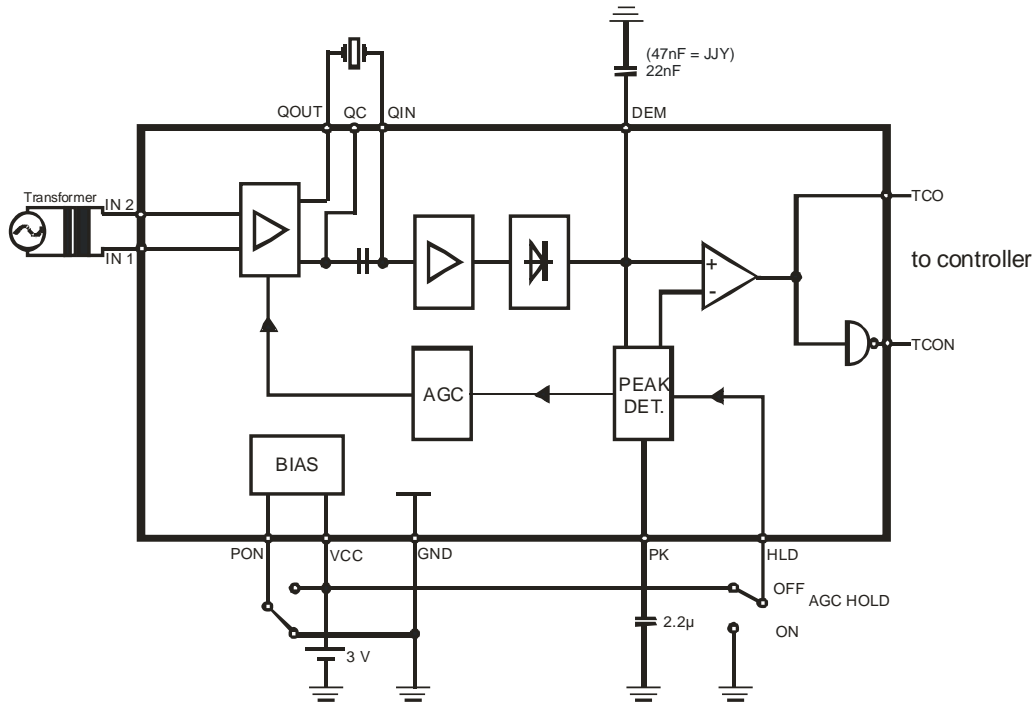


Figure 12. Test circuit

10 Test Circuitry for dual frequency reception

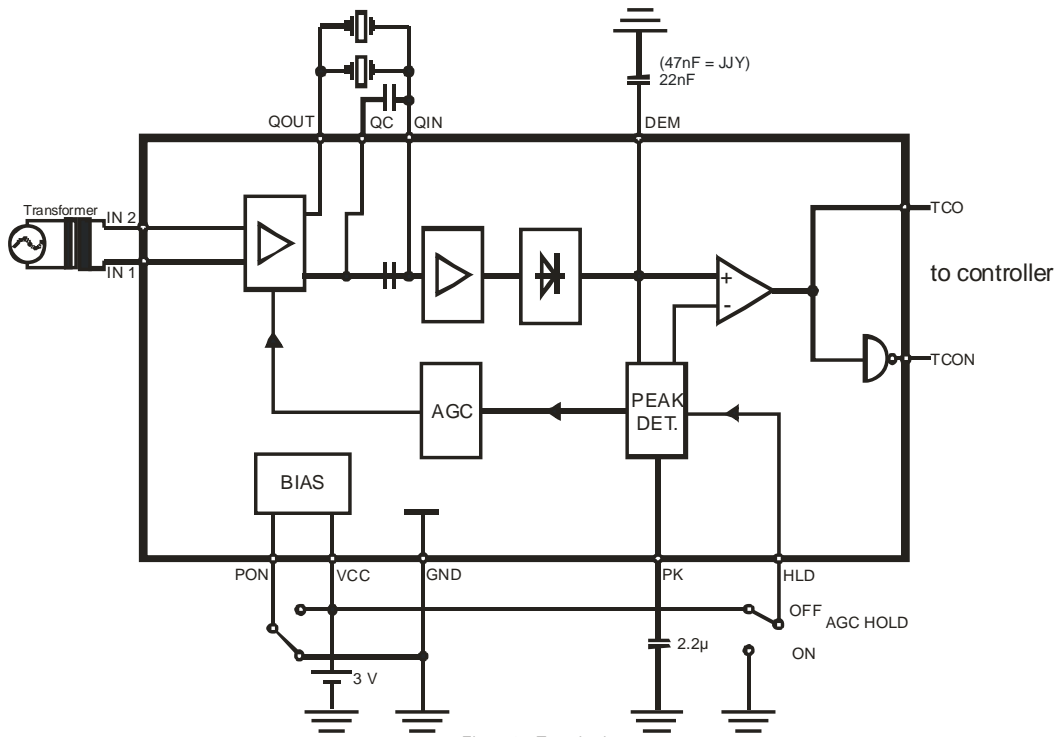


Figure 13. Test circuit

| SPEC No. | Revision | State | C-MAX printed | Version | Page |
|----------|----------|----------|---------------|---------|---------|
| CME6005 | A.8 | 04.12.06 | 03.05.2007 | English | 8 of 15 |

11 Information on the German Transmitter

(Customer is responsible to verify this information)

| | | | |
|---------------------|----------|---------------------------|---------------------|
| Station: | DCF 77 | Location: | Mainflingen/Germany |
| Frequency: | 77.5 kHz | Geographical coordinates: | 50° 01'N, 09° 00'E |
| Transmitting power: | 50 kW | Time of transmission: | permanent |

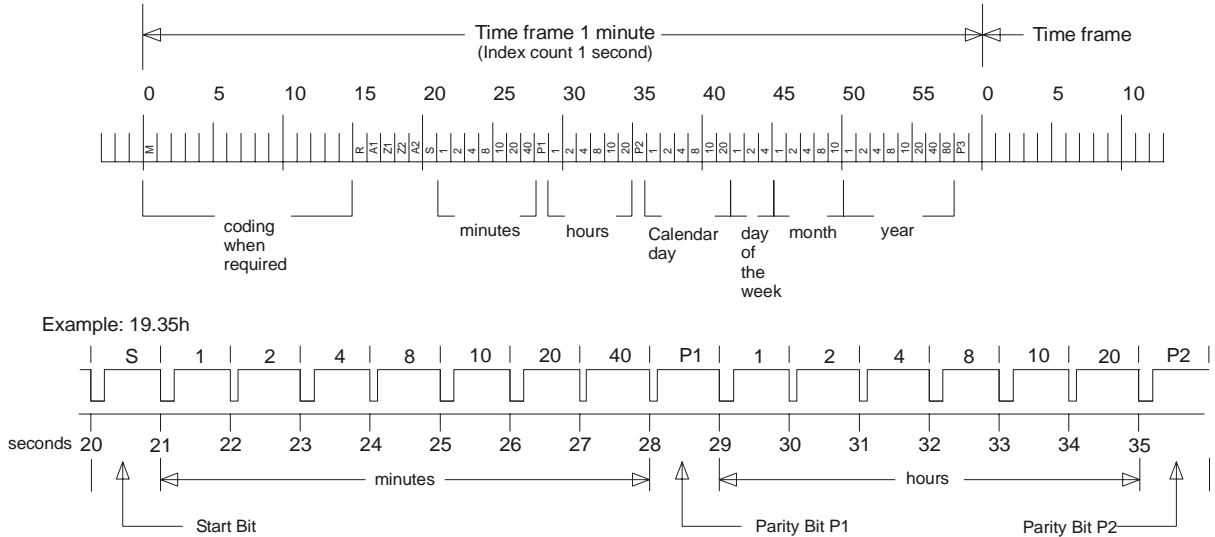


Figure 15.

- | | |
|--|--|
| M = Minute marker (100ms) | Z2 = DST (wintertime = 200ms, otherwise 100ms) |
| R = Second marker (200ms = transmission by reserve antenna) | A2 = Announcement of leap second |
| A1 = Announcement of change-over to summer-time or vice versa) | S = Startbit of time code information |
| Z1 = DST (summertime = 200ms, otherwise 100ms) | P1-P3 = Parity check bits |

Modulation

The carrier amplitude is reduced to 25% at the beginning of each second for a period of 100 ms (binary zero) or 200 ms (binary one), except the 59th second.

Time-Code Format (based on Information of Deutsche Bundespost)

The time-code format consists of 1-minute time frames. There is no modulation at the beginning of the 59th second to indicate the switch over to the

next 1-minute time frame. A time frame contains BCD-coded information of minutes, hours, calendar day, day of the week, month and year between the 20th second and 58th second of the time frame, including the start bit S (200 ms) and parity bits P1, P2 and P3. Furthermore, there are 5 additional bits R (transmission by reserve antenna), A1 (announcement of change-over to summer time), Z1 (during summer time 200 ms, otherwise 100 ms), Z2 (during winter time 200 ms, otherwise 100 ms) and A2 (announcement of leap second) transmitted between the 15th second and 19th second of the time frame.

| SPEC No. | Revision | State | C-MAX printed | Version | Page |
|----------|----------|----------|---------------|---------|---------|
| CME6005 | A.8 | 04.12.06 | 03.05.2007 | English | 9 of 15 |

12 Information on the Swiss Transmitter

(Customer is responsible to verify this information)

| | | | |
|---------------------|--------|---------------------------|----------------------|
| Station: | HBG | Location: | Prangins/Switzerland |
| Frequency: | 75 kHz | Geographical coordinates: | 46° 24'N, 06° 15'E |
| Transmitting power: | 20 kW | Time of transmission: | permanent |

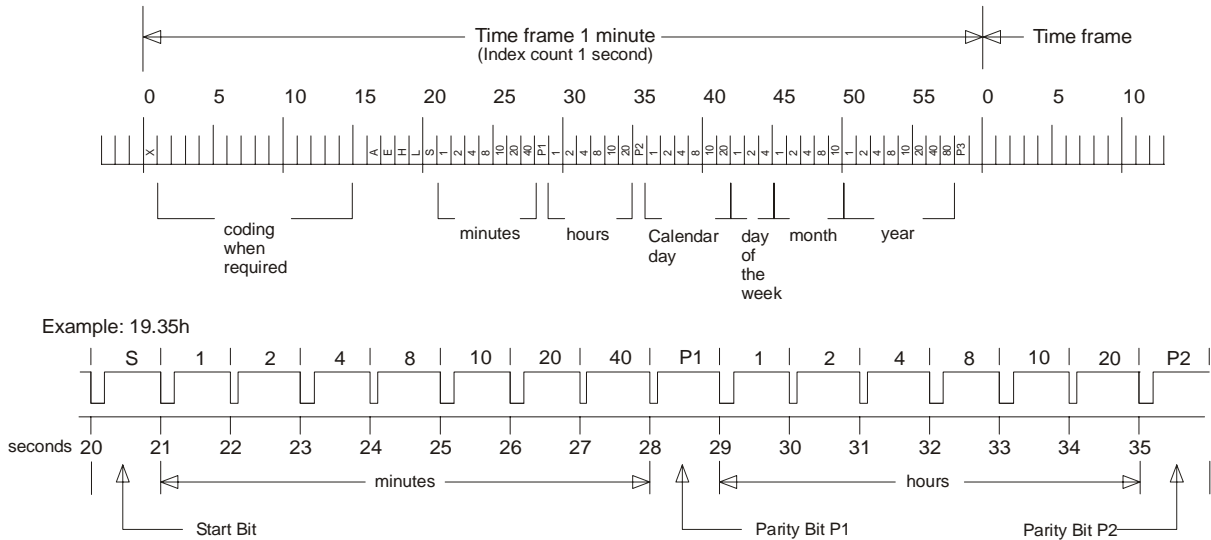


Figure 15.

- | | | | |
|-----|--|---------|----------------------------------|
| X = | Minute marker | L = | Announcement of leap second |
| A = | Announcement of change over to summer time or vice-versa | S = | Startbit of timecode information |
| E = | DST (summertime = 200ms, otherwise 100ms) | P1-P3 = | Parity check bits |
| H = | DST (wintertime = 200ms, otherwise 100ms) | | |

Modulation

The carrier amplitude is reduced to 25% at the beginning of each second for a period of 100 ms (binary zero) or 200 ms (binary one), except the 59th second.

Time-Code Format (based on Information of Bundesamt für Metrologie und Akkreditierung (METAS))

The time-code format consists of 1-minute time frames. There is no modulation at the beginning of the 59th second to indicate the switch over to the

next 1-minute time frame. A time frame contains BCD-coded information of minutes, hours, calendar day, day of the week, month and year between the 20th second and 58th second of the time frame, including the start bit S (200 ms) and parity bits P1, P2 and P3. Furthermore, there are 5 additional bits R (transmission by reserve antenna), A (announcement of change-over to summer time), E (during summer time 200 ms, otherwise 100 ms), H (during winter time 200 ms, otherwise 100 ms) and L (announcement of leap second) transmitted between the 15th second and 19th second of the time frame.

| SPEC No. | Revision | State | C-MAX printed | Version | Page |
|----------|----------|----------|---------------|---------|----------|
| CME6005 | A.8 | 04.12.06 | 03.05.2007 | English | 10 of 15 |

13 Information on the British Transmitter

(Customer is responsible to verify this information)

| | | | |
|---------------------|--------|---------------------------|--|
| Station: | MSF | Location: | Rugby |
| Frequency: | 60 kHz | Geographical coordinates: | 52° 22'N, 01° 11'W |
| Transmitting power: | 50 kW | Time of transmission: | permanent, except for quarterly and annual outages |

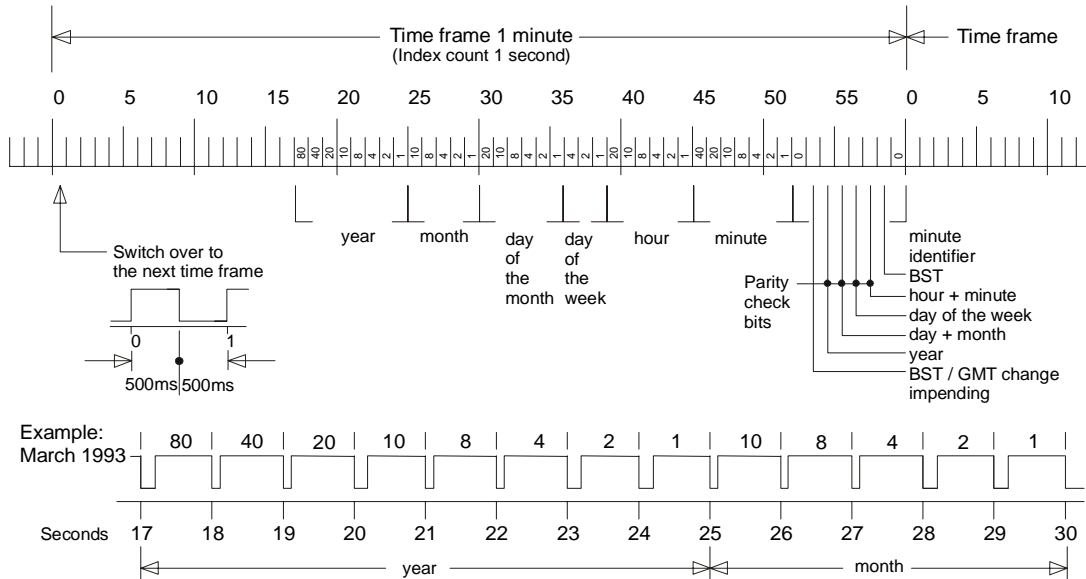


Figure 16.

Modulation

The carrier amplitude is switched off at the beginning of each second for a period of 100 ms (binary zero) or 200 ms (binary one).

Time-Code Format

The time-code format consists of 1-minute time frames. A time frame contains BCD coded information of year, month, calendar day, day of the week, hours and minutes. At the switch-over to the next time frame, the carrier amplitude is reduced for a period of 500 ms.

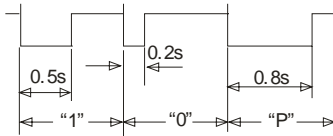
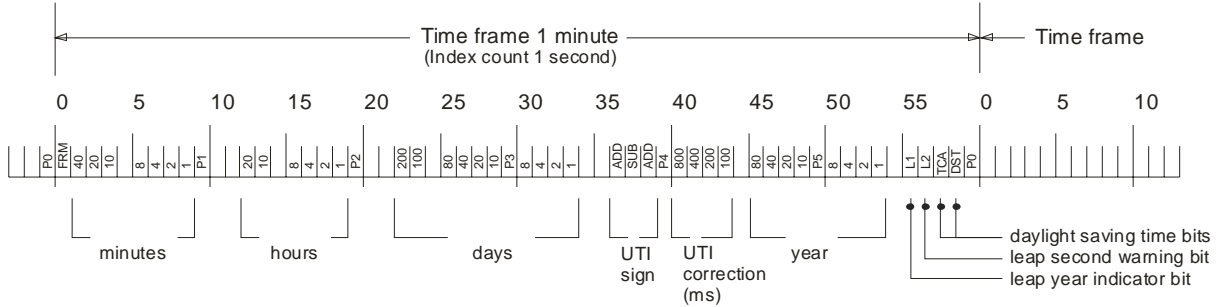
The presence of the fast code during the first 500 ms at the beginning of the minute is not guaranteed. The transmission rate is 100 bit/s and the code contains information of hour, minute, day and month.

| SPEC No. | Revision | State | C-MAX printed | Version | Page |
|----------|----------|----------|---------------|---------|----------|
| CME6005 | A.8 | 04.12.06 | 03.05.2007 | English | 11 of 15 |

14 Information on the US Transmitter

(Customer is responsible to verify this information)

| | | | |
|---------------------|--------|---------------------------|-----------------------|
| Station: | WWVB | Location: | Fort Collins/Colorado |
| Frequency: | 60 kHz | Geographical coordinates: | 40° 40'N, 105° 03' W |
| Transmitting power: | 50 kW | Time of transmission: | permanent |



FRM = Frame Marker

L1 = Leap year indicator
 "1" = non leap year
 "0" = leap year
 The bit is set to 1 during each leap year after January 1 but before February 29. It is set back to 0 on January 1 of the year following the leap year.

L2 = Leap second warning bit
 The bit is set to 1 near the start of the month in which a leap second is added. It is set to 0 immediately after the leap second insertion.

TCA = Time change announcement

DST = Daylight savings time bit

P0 - P5 = Position marker

Modulation

The carrier amplitude is reduced by 10 dB at the beginning of each second and is restored within 500 ms (binary one) or within 200 ms (binary zero) or within 800 ms (position-identifier marker or frame reference marker).

Time-Code Format

The time-code format consists of 1-minute time frames. A time frame contains BCD-coded information of minutes, hours, days and year. In addition, there are 6 position-identifier markers (P0 thru P5) and 1 frame-reference marker with reduced carrier amplitude of 800 ms duration

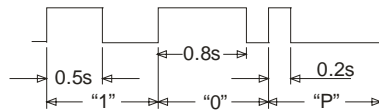
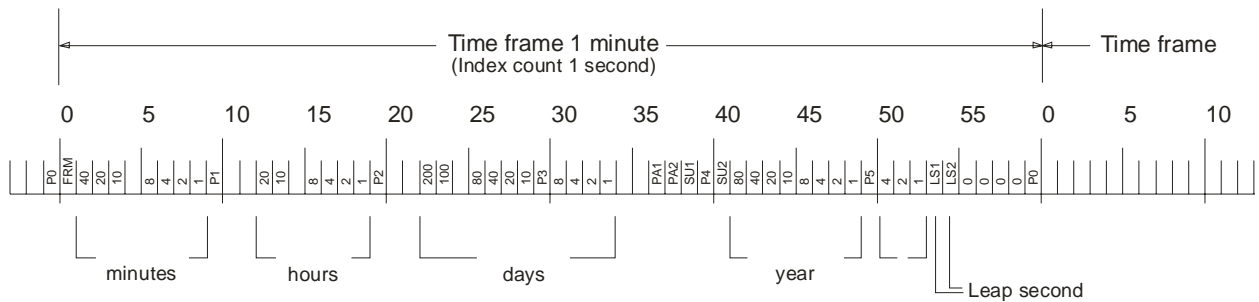
| SPEC No. | Revision | State | C-MAX printed | Version | Page |
|----------|----------|----------|---------------|---------|----------|
| CME6005 | A.8 | 04.12.06 | 03.05.2007 | English | 12 of 15 |

15 Information on the Japanese Transmitter

(Customer is responsible to verify this information)

| | | | |
|---------------------|-----------------|---------------------------|-------------------------------|
| Station: | Ohtakadoya-yama | Location: | Miyakoji Vil.,Fukushima Pref. |
| Frequency: | 40 kHz | Geographical coordinates: | 37° 22'N, 140° 51'E |
| Transmitting power: | 50 kW | Time of transmission: | permanent |

| | | | |
|---------------------|-------------|---------------------------|-----------------------|
| Station: | Hagane-yama | Location: | Fuji Vil., Saga Pref. |
| Frequency: | 60 kHz | Geographical coordinates: | 33° 28'N, 130° 11'E |
| Transmitting power: | 50 kW | Time of transmission: | permanent |



0.5 second: Binary one
 0.8 second: Binary zero
 0.2 second: Position identifier markers P0...P5

FRM = **Frame marker**
LS1 = **Leap second**
LS2 = **Leap second**
P0-P5 = **Position identifier markers**
Pa1+Pa2 = **Parity bits**

Modulation

The carrier amplitude is 100% at the beginning of each second and is switched to 10% after 500 ms (binary one) or after 800 ms (binary zero) or after 200 ms for Position-identifier marker (P0...P5) and frame reference marker.

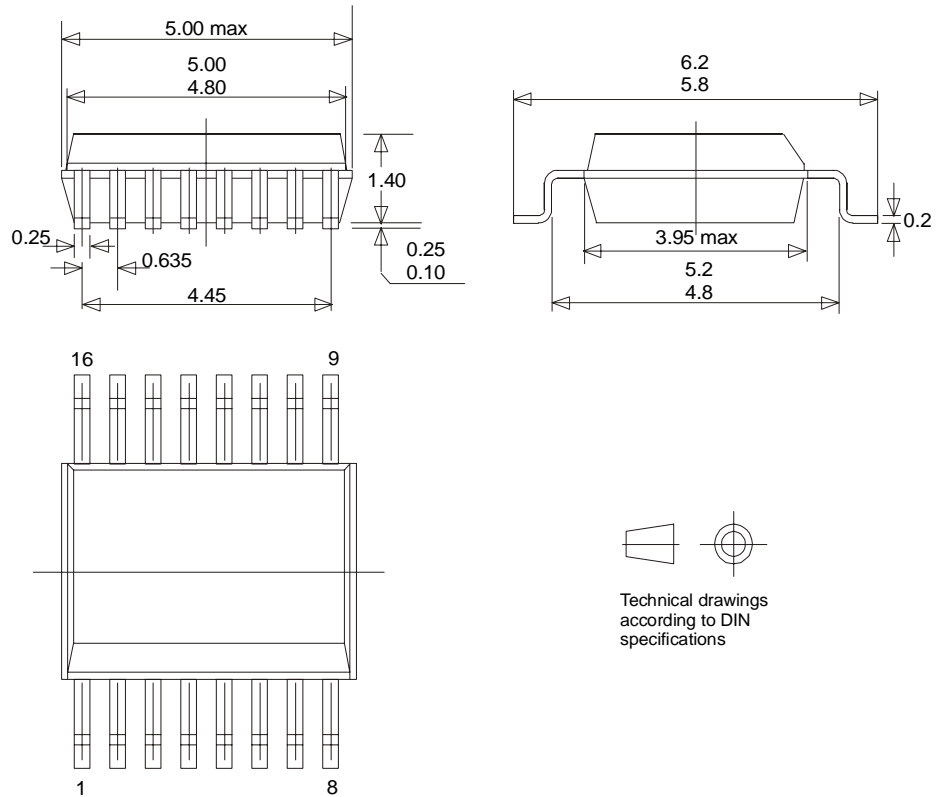
Time-Code Format

The time-code format consists of 1-minute time frames. A time frame contains BCD-coded information of minutes, hours, days, weeks and year. In addition, there are 6 position-identifier markers (P0 through P5) with reduced carrier amplitude of 800 ms duration.

| SPEC No. | Revision | State | C-MAX printed | Version | Page |
|----------|----------|----------|---------------|---------|----------|
| CME6005 | A.8 | 04.12.06 | 03.05.2007 | English | 13 of 15 |

16 Package information

Package SSO16
Dimensions in mm



Recommended Infrared/Convection Solder Reflow Profile (SMD packages) according JEDEC J-STD-020B you will find on our webpage <http://www.c-maxgroup.com> in the download area. Please look for “soldering condition”.

| SPEC No. | Revision | State | C-MAX printed | Version | Page |
|----------|----------|----------|---------------|---------|----------|
| CME6005 | A.8 | 04.12.06 | 03.05.2007 | English | 14 of 15 |

17 Ozone Depleting Substances Policy Statement

It is the policy of **C-MAX** to

1. Meet all present and future national and international statutory requirements.
2. Regularly and continuously improve the performance of our products, processes, distribution and operating systems with respect to their impact on the health and safety of our employees and the public, as well as their impact on the environment.

It is particular concern to control or eliminate releases of those substances into the atmosphere, which are known as ozone depleting substances (ODSs).

The Montreal Protocol (1987) and its London Amendments (1990) intend to severely restrict the use of ODSs and forbid their use within the next ten years. Various national and international initiatives are pressing for an earlier ban on these substances.

C-MAX has been able to use the policy of continuous improvements to eliminate the use of ODSs listed in following documents.

1. Annex A,B and list of transitional substances of the Montreal Protocol and the London Amendments respectively
2. Class I and II ozone depleting substances in the Clean Air Act Amendments of 1990 by the Environmental Protection Agency (EPA) in the USA.
3. Council Decision 88/540/EEC and 91/690/EEC Annex A,B and C (transitional substances) respectively.

C-MAX can certify that our semiconductor CME6005 is not manufactured with ozone depleting substances and do not contain such substances.

Disclaimer of Warranty

Information furnished is believed to be accurate and reliable. However C-MAX assumes no responsibility, neither for the consequences of use of such information nor for any infringement of patents or other rights of third parties, which may result from its use. No license is granted by implication or otherwise under any patent or patent rights of C-Max. Specifications mentioned in this publication are subject to change without notice. This publication supersedes and replaces all information previously supplied. C-MAX products are not authorized for use as critical components in life support devices without express written approval of C-MAX.

Note

It is not given warranty that the declared circuits, devices, facilities, components, assembly groups or treatments included herein are free from legal claims of third parties.

The declared data are serving only to description of product. They are not guaranteed properties as defined by law. The examples are given without obligation and cannot given rise to any liability.

Reprinting this data sheet - or parts of it - is only allowed with a license of the publisher.

C-MAX reserves the right to make changes on this specification without notice at any time.

C-MAX Time Solutions GmbH

Carl-Zeiss-Str. 13
74078 Heilbronn

Tel.: +49-7066-900400

Fax: +49-7066-9004029

e-mail: contact@c-max-time.com

Data sheets can also be retrieved from our Internet homepage: www.c-max-time.com

CME6005-E.doc

| SPEC No. | Revision | State | C-MAX printed | Version | Page |
|----------|----------|----------|---------------|---------|----------|
| CME6005 | A.8 | 04.12.06 | 03.05.2007 | English | 15 of 15 |