

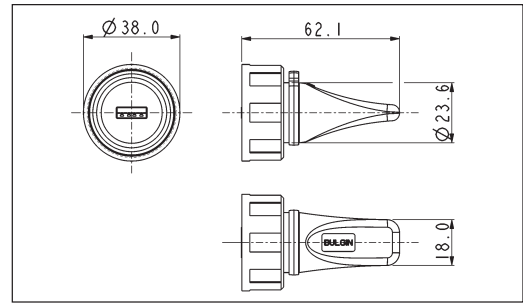
Bluetooth Buccaneer®

BLUETOOTH ADAPTER



PX0880

- Dust & waterproof to IP68 EN60529 when mated
- Bluetooth V1.1 & V1.2
- Up to 100m range
- Built-in antenna
- Standard 'A' type USB interface
- Mates with USB Buccaneer - PX0842/A, PX0843/A, PX0845/A, PX0848/A & PX0849/A
- Secure screw thread locking
- Windows XP recognised
- Other operating systems supported
- Optional driver download via web site



BUCCANEER

Part no.	Description
PX0880/1	IP68 rated, USB/Bluetooth adaptor, Class I
PX0880/2	IP68 rated, USB/Bluetooth adaptor, Class II

SPECIFICATION

Sealing	IP68, EN60529, when mated
Protocol	Bluetooth V1.1 and V1.2
Bluetooth classifications	Class I - 100mW** (20dBm) <100m* range Class II - 2.5mW** (4dBm) <20m* range
Frequency band	2.4GHz unlicensed ISM band
Sensitivity	-76dBm
Max data rate	up to 723kbps
Support	Piconet, up to 7 slaves
Low power modes available	
Microsoft WHQL approved, included in the SP2 update pack	

Notes:

* range is dependant on prevailing conditions

** minimum output power at maximum power setting