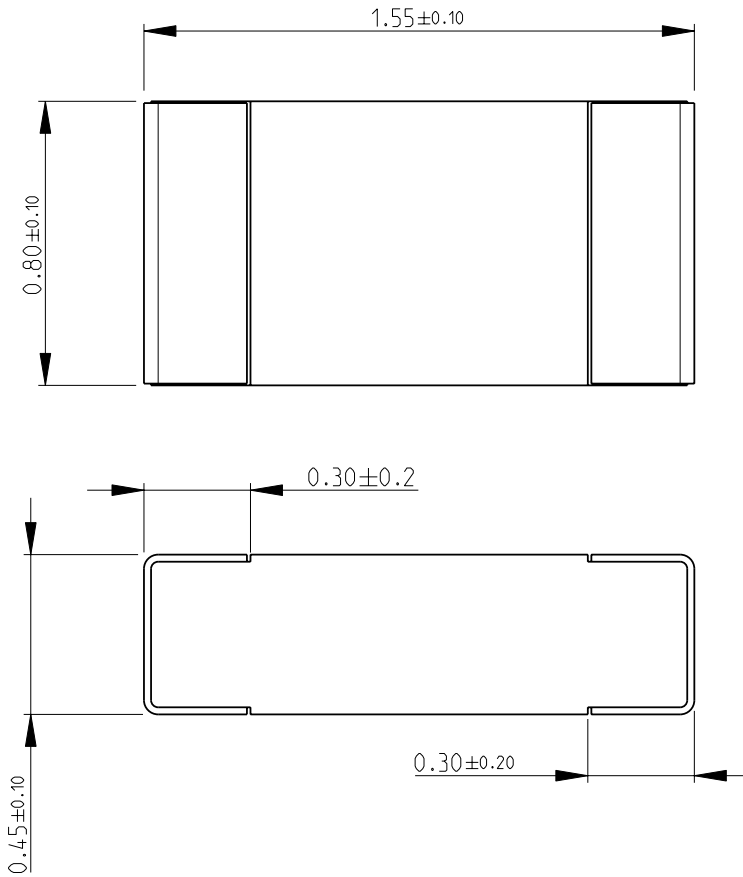
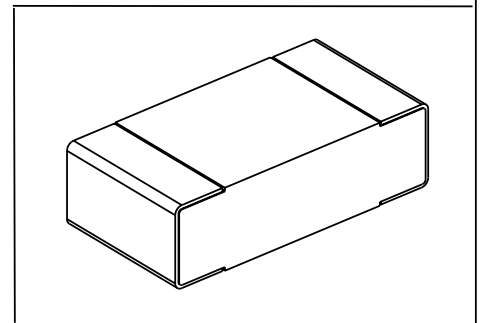
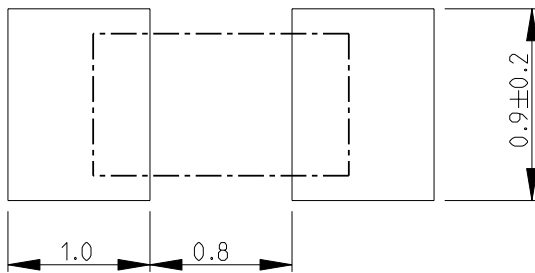


LOC	DIST	REVISIONS				
P	LTR	DESCRIPTION	DATE	DWN	APVD	
E	B	BA	NEW RELEASE	20SEP2010	PT	St.P

FOR FURTHER INFORMATION SEE DATA SHEET FOR
RN73 SERIES-HIGH PRECISION RESISTORS (SMD)



RECOMMENDED LAND PATTERN



2010

RELEASED FOR PUBLICATION

BY TYCO ELECTRONICS CORPORATION. ALL RIGHTS RESERVED.

© COPYRIGHT 2010

THIS DRAWING IS UNPUBLISHED.

DIMENSIONS: mm TOLERANCES UNLESS OTHERWISE SPECIFIED: 0 PLC ±0.2 1 PLC ±0.1 2 PLC ±- 3 PLC ±- 4 PLC ±- ANGLES ±5°	DWN PARUSURAM.T 20SEP2010	MATERIAL -	FINISH -
	CHK ALLAN.P 20SEP2010	Tyco Electronics Corporation Dorcan, Swindon, SN3 5HH	
	APVD STEPHEN.P 20SEP2010	NAME HIGH PRECISION RESISTORS (SMD) SERIES RN73 1J	
	PRODUCT SPEC -	SIZE A 4	RESTRICTED TO -
	APPLICATION SPEC -	CAGE CODE 00779	DRAWING NO C= 1879207
	WEIGHT -	SCALE 20:1 SHEET 1 OF 1 REV BA	
CUSTOMER DRAWING			