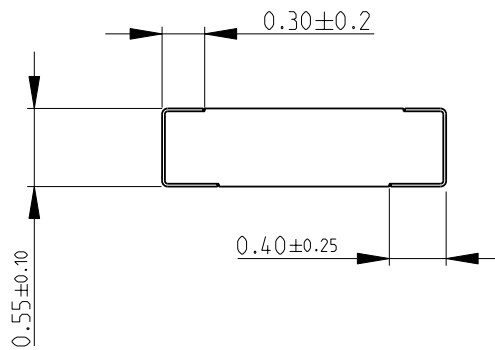
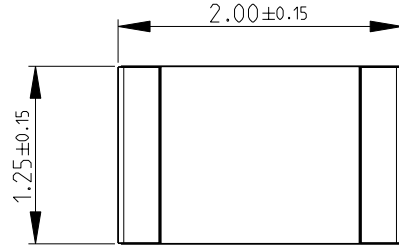
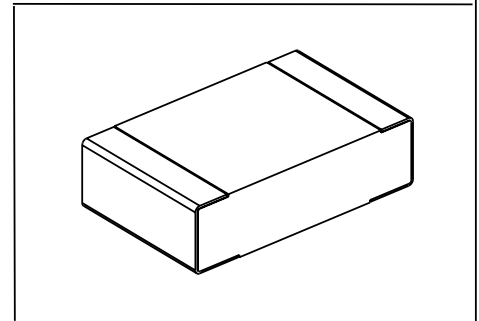
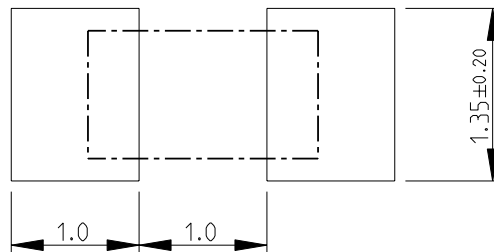


LOC	DIST	REVISIONS					
		P	LTR	DESCRIPTION	DATE	DWN	APVD
E	B		BC	NEW RELEASE	15DEC2010	PT	St.P

FOR FURTHER INFORMATION SEE DATA SHEET FOR  
RN73 SERIES-HIGH PRECISION RESISTORS (SMD)



RECOMMENDED LAND PATTERN



2010

RELEASED FOR PUBLICATION

THIS DRAWING IS UNPUBLISHED.

© COPYRIGHT 2010 BY TYCO ELECTRONICS CORPORATION. ALL RIGHTS RESERVED.

DIMENSIONS: mm	DWN	PARUSURAM.T	15DEC2010	MATERIAL	-	FINISH	-
	TOLERANCES UNLESS OTHERWISE SPECIFIED:	CHK	ALLAN.P	15DEC2010	Tyco Electronics Corporation Dorcan, Swindon, SN3 5HH		
0 PLC ±0.2	APVD	STEPHEN.P	15DEC2010				
1 PLC ±0.1	PRODUCT SPEC	-	-	NAME HIGH PRECISION RESISTORS (SMD) SERIES RN73 2A			
2 PLC ±	APPLICATION SPEC	-	-	SIZE	CAGE CODE	DRAWING NO	RESTRICTED TO
3 PLC ±	-	-	-	A 4	00779	©=1676702	-
4 PLC ±	WEIGHT	-	-	CUSTOMER DRAWING			SCALE
ANGLES ±5°	-	-	-	20:1			SHEET
	-	-	-	1			OF
	-	-	-	1			REV
	-	-	-				BC