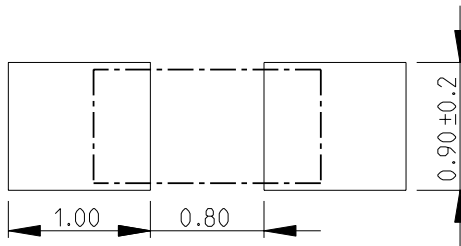
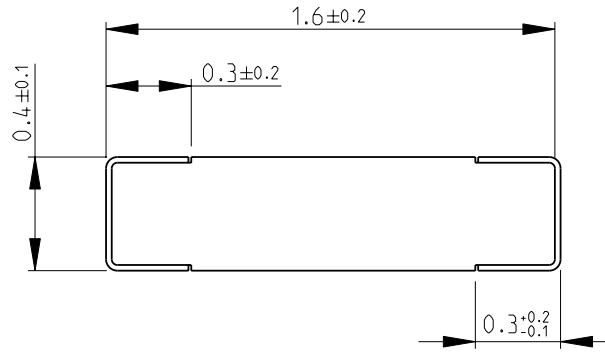
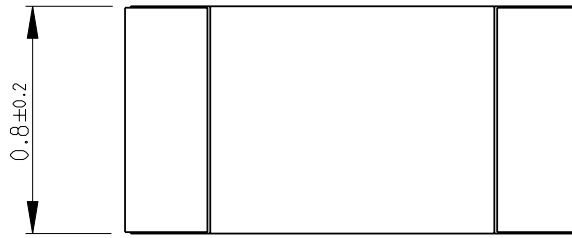


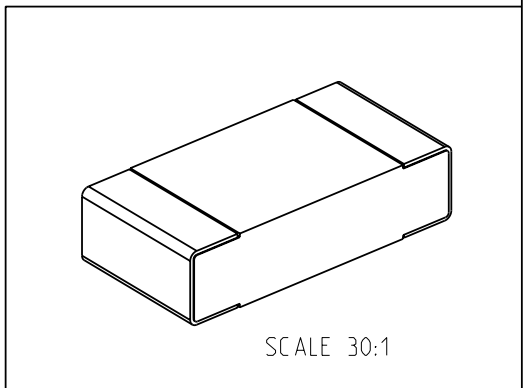
| LOC | DIST | REVISIONS | | | | |
|-----|------|-------------|-------------|-----------|------|------|
| P | LTR | DESCRIPTION | DATE | DWN | APVD | |
| E | B | BA | NEW RELEASE | 05-FEB-10 | MRS | St.P |

FOR FURTHER INFORMATION SEE DATA SHEET FOR
RN73 SERIES-HIGH PRECISION RESISTORS (SMD)



RECOMMENDED LAND PATTERN

RoHS Compliant



THIS DRAWING IS UNPUBLISHED.
 RELEASED FOR PUBLICATION 2010
 BY TYCO ELECTRONICS CORPORATION. ALL RIGHTS RESERVED.
 COPYRIGHT 2010

| | | | | | | | | | |
|---|------------------|-----------|-----------|--|-----------|-------------|---------------|--------------|--|
| DIMENSIONS: mm | DWN | MAHARUDRA | 05-FEB-10 | MATERIAL | - | FINISH | - | | |
| | CHK | ALLAN.P | 05-FEB-10 | Tyco Electronics Corporation Dorcan, Swindon, SN3 5HH | | | | | |
| TOLERANCES UNLESS OTHERWISE SPECIFIED: 0 PLC ±0.2 1 PLC ±0.1 2 PLC ±- 3 PLC ±- 4 PLC ±- ANGLES ±5° | APVD | STEPHEN.P | 05-FEB-10 | | | | | NAME | HIGH PRECISION RESISTORS (SMD) SERIES RN73 1J |
| | PRODUCT SPEC | - | | SIZE | CAGE CODE | DRAWING NO | RESTRICTED TO | | |
| | APPLICATION SPEC | - | | A 4 | 00779 | © = 1614353 | - | | |
| | WEIGHT | - | | CUSTOMER DRAWING | | | SCALE 40:1 | SHEET 1 OF 1 | REV BA |