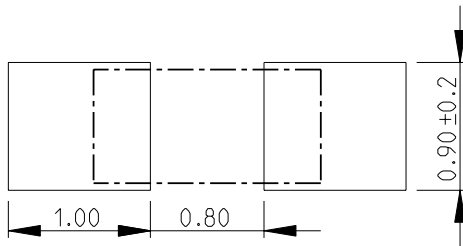
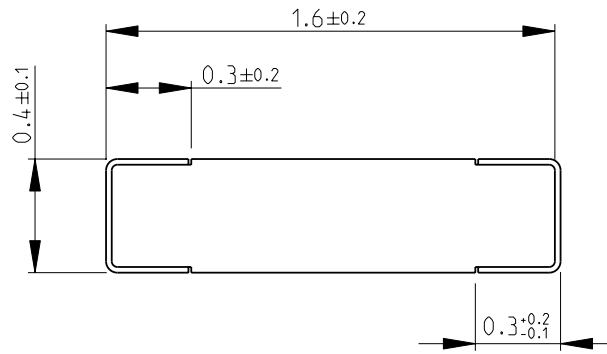
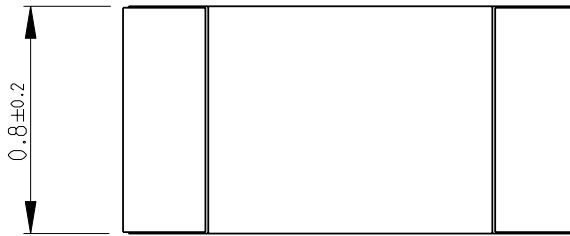


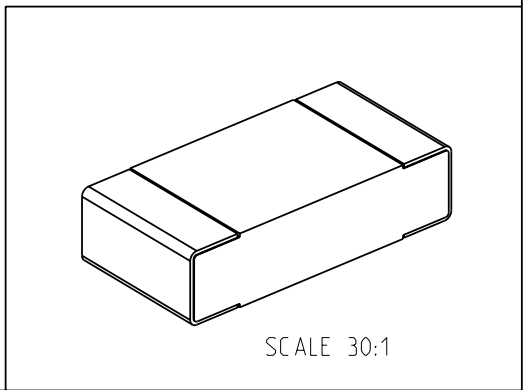
LOC	DIST	REVISIONS				
P	LTR	DESCRIPTION	DATE	DWN	APVD	
E	B	BA	NEW RELEASE	05-FEB-10	MRS	St.P

FOR FURTHER INFORMATION SEE DATA SHEET FOR  
RN73 SERIES-HIGH PRECISION RESISTORS (SMD)



RECOMMENDED LAND PATTERN

RoHS Compliant



SCALE 30:1

2010

RELEASED FOR PUBLICATION

THIS DRAWING IS UNPUBLISHED.

BY TYCO ELECTRONICS CORPORATION. ALL RIGHTS RESERVED.  
COPYRIGHT 2010

DIMENSIONS: mm	DWN	MAHARUDRA	05-FEB-10	MATERIAL	-	FINISH	-
	CHK	ALLAN.P	05-FEB-10	Tyco Electronics Corporation Dorcan, Swindon, SN3 5HH			
TOLERANCES UNLESS OTHERWISE SPECIFIED:	APVD	STEPHEN.P	05-FEB-10				
0 PLC ±0.2	PRODUCT SPEC			HIGH PRECISION RESISTORS (SMD)			
1 PLC ±0.1	APPLICATION SPEC			SERIES RN73 1J			
2 PLC ±-	WEIGHT			SIZE	CAGE CODE	DRAWING NO	RESTRICTED TO
3 PLC ±-	-			A 4	00779	©= 1614352	-
4 PLC ±-	-			CUSTOMER DRAWING			
ANGLES ±5°	-			SCALE	40:1	SHEET	1 OF 1
	-			REV BA			