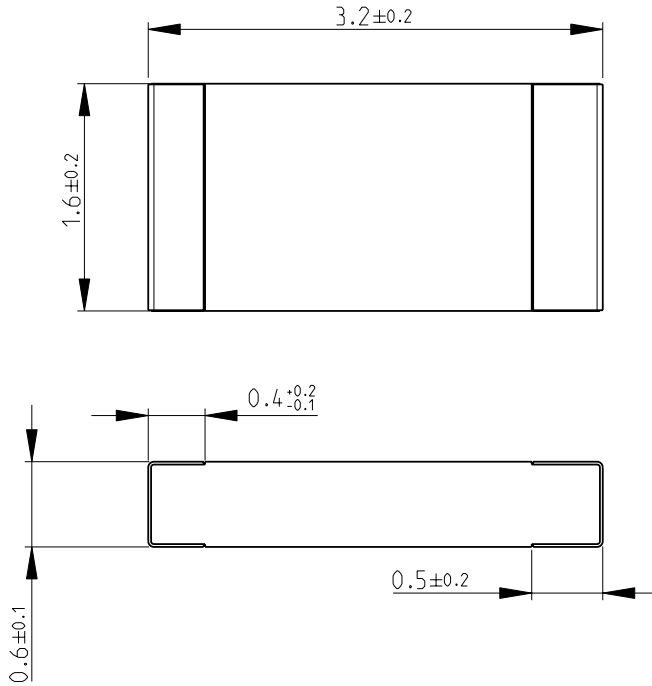
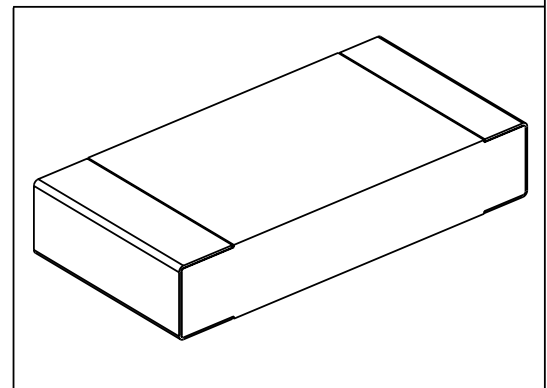


LOC	DIST	REVISIONS				
P	LTR	DESCRIPTION	DATE	DWN	APVD	
E	B	BA	NEW RELEASE	03MAY2010	PT	St.P

FOR FURTHER INFORMATION SEE DATA SHEET FOR
RP73 SERIES-SMD HIGH POWER PRECISION RESISTORS



RoHS Compliant



2008

RELEASED FOR PUBLICATION

THIS DRAWING IS UNPUBLISHED.

© COPYRIGHT 2008 BY TYCO ELECTRONICS CORPORATION. ALL RIGHTS RESERVED.

DIMENSIONS: mm TOLERANCES UNLESS OTHERWISE SPECIFIED: 0 PLC ±0.2 1 PLC ±0.1 2 PLC ±- 3 PLC ±- 4 PLC ±- ANGLES ±5°	DWN PARUSURAM.T 03MAY2010 CHK SUBHASH.M 03MAY2010 APVD STEPHEN.P 03MAY2010	MATERIAL -	FINISH -	
	PRODUCT SPEC - APPLICATION SPEC - WEIGHT -	Tyco Electronics Corporation Dorcan, Swindon, SN3 5HH	NAME SMD HIGH POWER PRECISION RESISTORS SERIES RP73 - 2B	
	SIZE A 4 CAGE CODE 00779 DRAWING NO. C= 1625869	RESTRICTED TO -		
CUSTOMER DRAWING		SCALE 20:1	SHEET 1 OF 1	REV BA