

CY3271-PSoC FIRSTTOUCH STARTER KIT WITH CyFi LOW-POWER RF QUICK START GUIDE

1



Insert the CY3271-PSoC FirstTouch Starter Kit CD in the CD drive of your PC. Install the kit contents, PSoC Designer, and PSoC Programmer.

2



Remove the kit from the package; remove the cover from the boards.

3



Connect the multifunction card to the PC dongle.

4

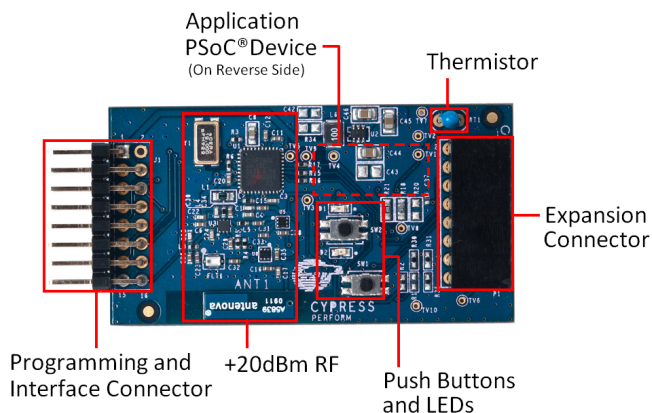


Connect the PC dongle to your PC and slide down the CapSense slider to check the output. The tricolor LED lights up in different colors depending on the finger position

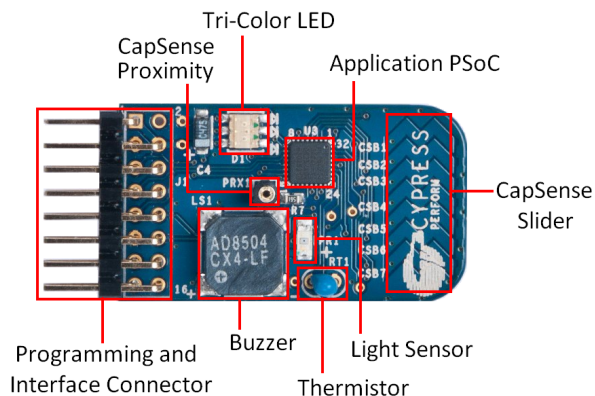
Note: Install the required drivers (by installing PSoC programmer) before connecting PC dongle to your PC.

CY3271-PSoC FirstTouch Starter Kit Details

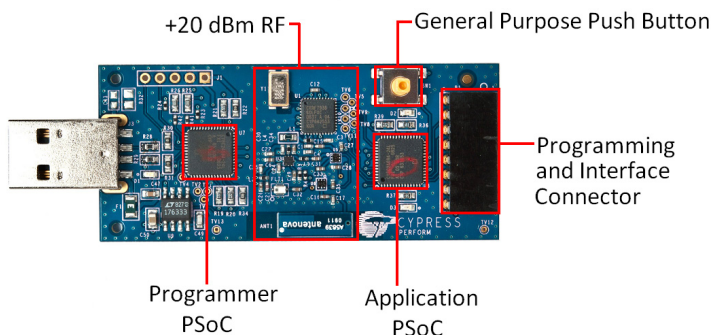
RF Expansion Board



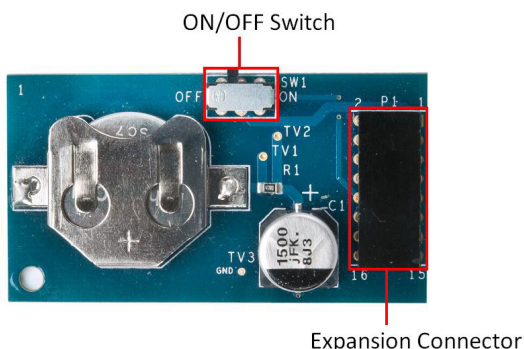
Multifunction Board



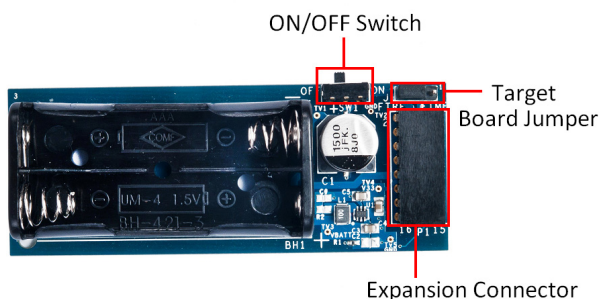
PC Dongle



Coin Cell Battery Pack



AAA Battery Pack



For the latest information about this kit visit <http://www.cypress.com/go/CY3271-FTRF>

