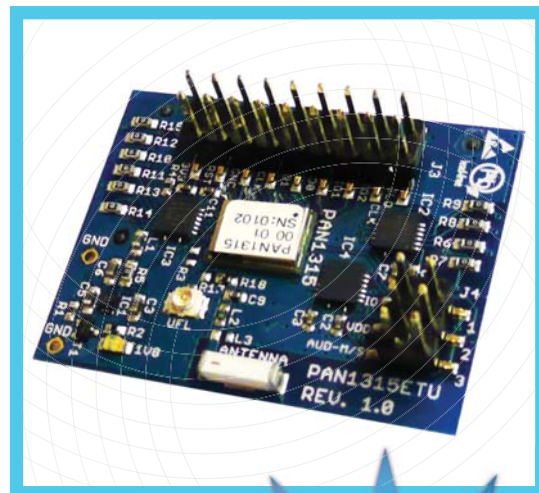


Panasonic's unique Easy-To-Use (ETU) series of modules, plug directly into evaluation kits with the added benefit of header connectors that simplify prototype wiring and field trials.

The engine of the PAN1315ETU is Panasonic's new PAN1315 Host Controlled Interface (HCI) Bluetooth RF module based upon Texas Instrument's seventh generation Bluetooth core integrated circuit, the CC2560.

The PAN1315 series has been designed to be 100% pin compatible with the next generation of Bluetooth Low Energy devices. This unique design feature enables designers to seamlessly transition between Bluetooth Classic and Low Energy modules.

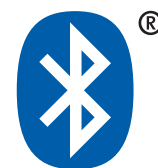
For additional details, go to www.panasonic.com/rfmodules and refer to the PAN1315 and PAN1315ETU specifications.



NEW!

Product Performance:

- Best-in-class Bluetooth RF performance (Tx power, Rx sensitivity, blocking)
- Fully Qualified Bluetooth v2.1 EDR
- Dimensions: 6.5mm x 9mm x 1.7mm (width x length x height)
- Certifications: Bluetooth, FCC, CE, IC tested
- Operating Temperature Range: -20°C to +70°C
- Supply Voltage Range: 1.7 - 4.8V
- Profiles: SPP from TI, HDP from MindTree
- Based upon TI's CC2560
- Integrates with TI's ultra low-power MSP430 microprocessor
- Very fast algorithm for both ACL and eSCO
- Supports Extended Range Tx power with 10dBm typical output
- Low power scan method for page and inquiry scans at 1/3rd normal power



Interfaces:

The PAN1315 Host Controlled Interface supports several transport layers with the following features:

- UART Rates of up to 4Mbps
- Three and Four Wire UART Transport

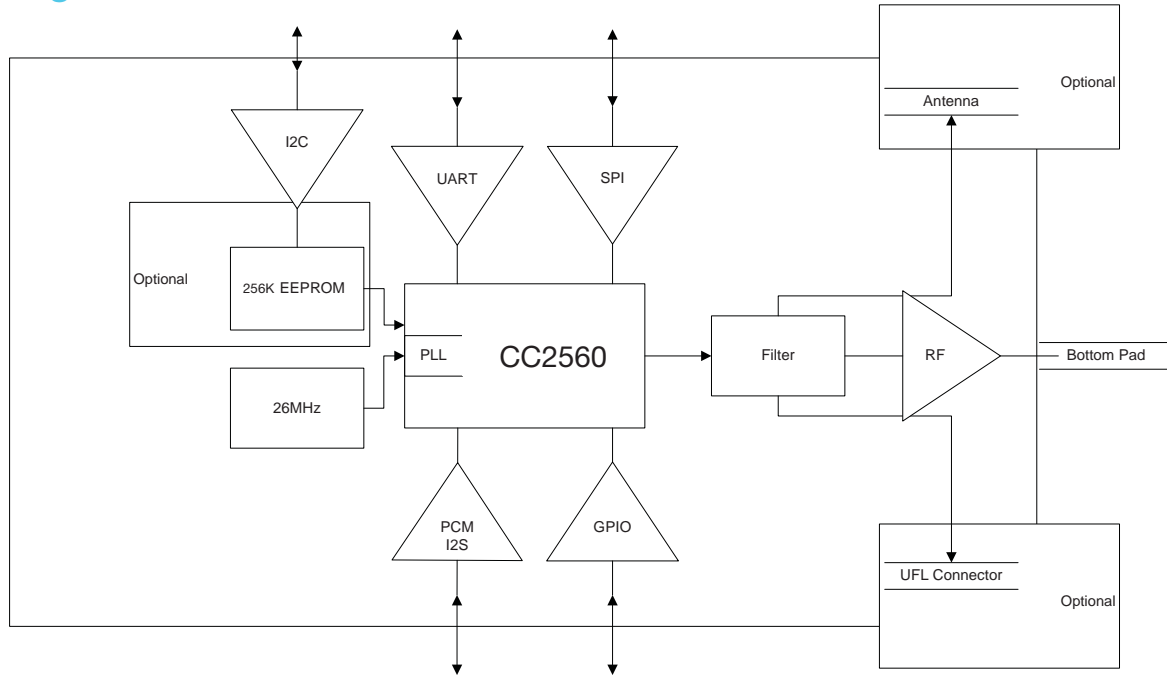
Part Numbers:

Part Number	Description
ENW-89818C2JF	PAN1315, CC2560 HCI module, no antenna
ENW-89818C2KF	PAN1315, CC2560 HCI module, 256K EEPROM memory, no antenna
PAN1315ETU	PAN1315, Development module, for use with EVAL_PAN1x15 evaluation kit
EVAL_PAN1315	PAN1315 Evaluation kit, includes TI MSP430 controller

Applications:

- Consumer Health Devices
 - Heart Rate Monitor
 - Blood Pressure Sensor
 - Blood Glucose Meter
 - Thermometer
- Assisted Living
 - Flood Alarm
 - Heating Control
 - Automatic Key Control
- Industrial Sensors

Block Diagram:



Technical Specifications:

Parameter	Value	Condition / Notes
Receiver Sensitivity (BER=10 ⁻³)	-93 dBm	GFSK, Typical, Dirty TX On
Output Power	10 dBm	VDD_In = V _{BAT}
Power Supply	1.7 - 4.8 V	Battery or DC/DC
Ultra Low Power Scan	135 μA	1.28s Interval
GFSK DH1\DH5	33 mA	Full Throughput
Operating Temperature Range	-20°C to + 70°C	-40°C to + 85°C with EEPROM