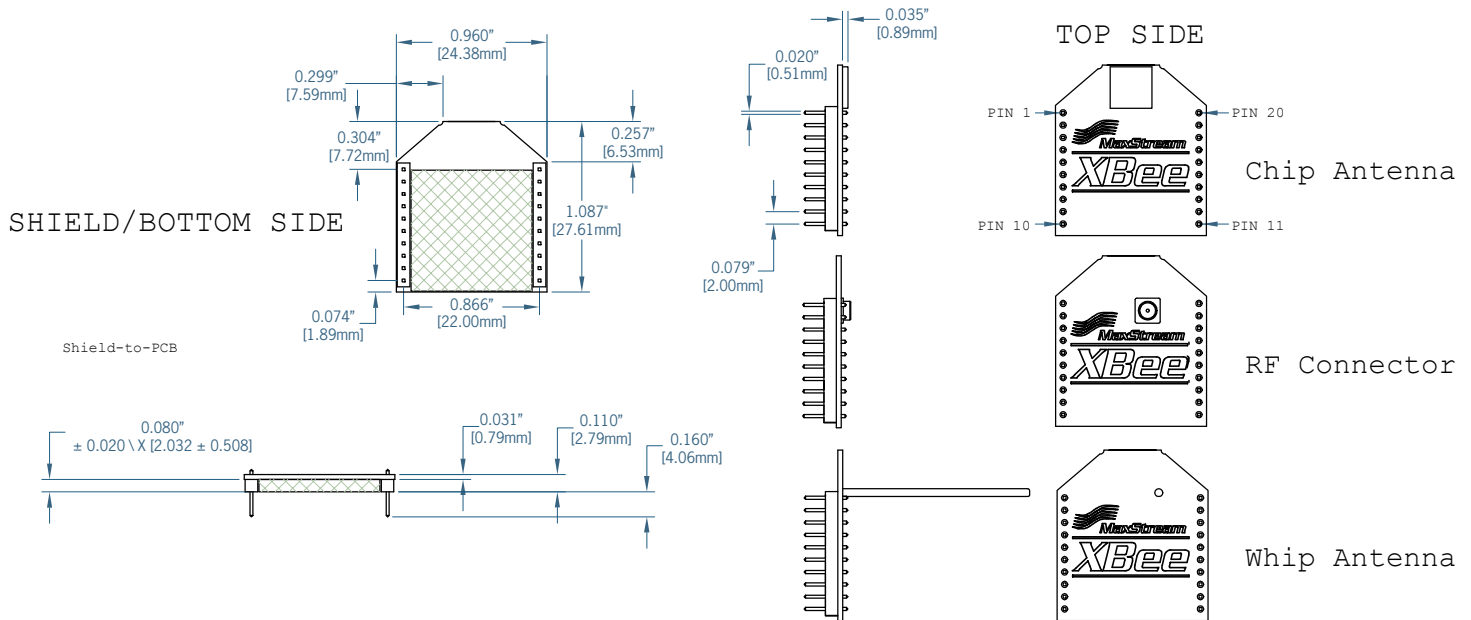


XBee Mechanical Drawings

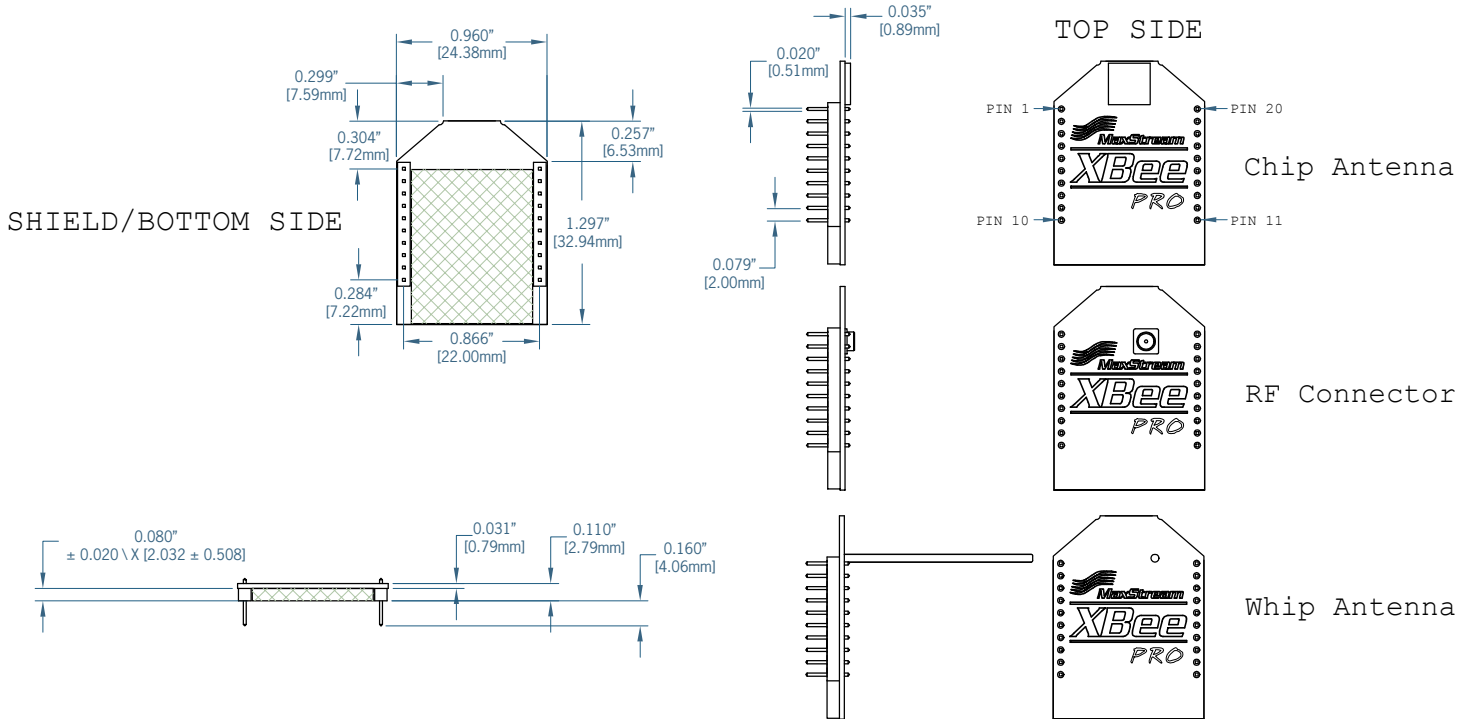


XBee and XBee-PRO OEM RF Modules are pin-for-pin compatible with each other.

XBee OEM RF Module



XBee-PRO OEM RF Module



M100427 [2006.06.28]



www.maxstream.net

© 2006 MaxStream, Inc. All rights reserved.

Phone. (866) 765-9885 Toll-free in U.S. & Canada
 (801) 765-9885 Worldwide
 Live Chat. www.maxstream.net
 E-mail. rf-xperts@maxstream.net