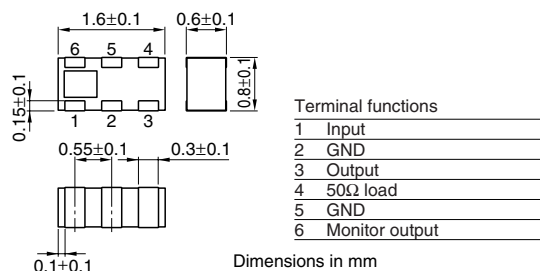


Multilayer Chip Directional Couplers For AGSM-GSM/Tx

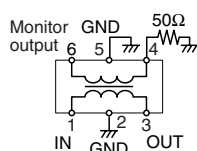
Conformity to RoHS Directive

HHM Series HHM2215SA5

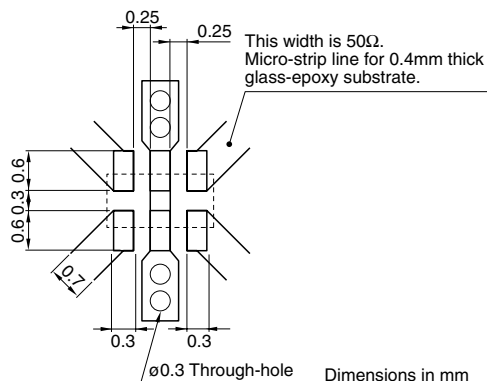
SHAPES AND DIMENSIONS



CIRCUIT DIAGRAM



RECOMMENDED PC BOARD PATTERNS



ELECTRICAL CHARACTERISTICS

Frequency range	824 to 915MHz	
Coupling factor	-16.0±1.0dB	
Insertion loss	0.30dB max.*1	
	0.35dB max.*2	
Isolation	25dB min.	
VSWR	1.3 max.	
Temperature range	Operating	-40 to +85°C
	Storage	-40 to +85°C

*1 25°C

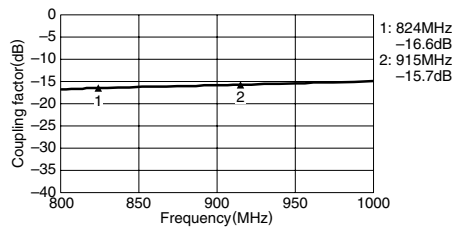
*2 Operating temperature

- Conformity to RoHS Directive: This means that, in conformity with EU Directive 2002/95/EC, lead, cadmium, mercury, hexavalent chromium, and specific bromine-based flame retardants, PBB and PBDE, have not been used, except for exempted applications.

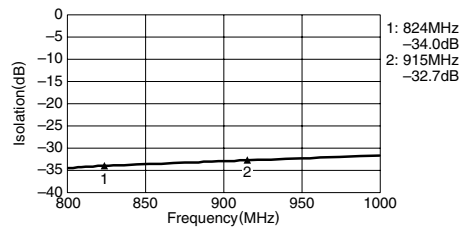
- All specifications are subject to change without notice.

FREQUENCY CHARACTERISTICS

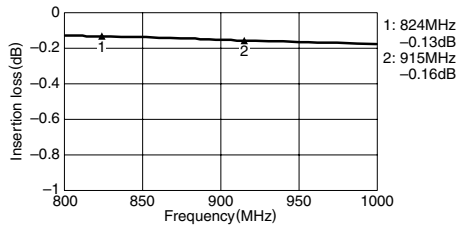
COUPLING



ISOLATION



INSERTION LOSS



VSWR

