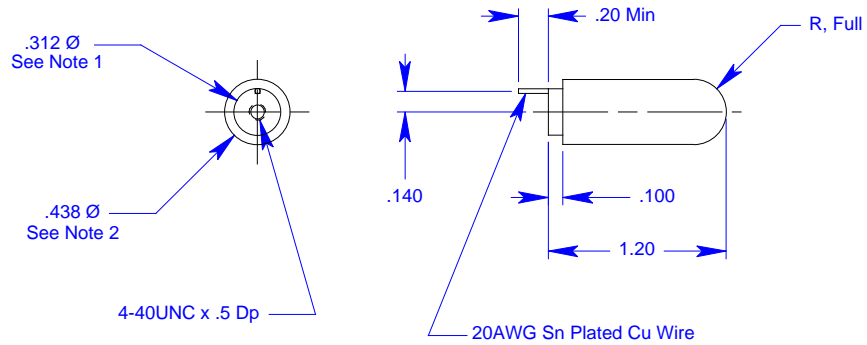


Notes:

1. Core Material: Delrin, Natural
2. Overmold Material: Macromelt, Black
3. Includes #4-40UNC x .5" Long Fillister Head Screw



THIS DRAWING IS THE PROPERTY OF CCI, INC AND IS FURNISHED SUBJECT TO RETURN ON DEMAND. RECIPIENT AGREES NOT TO DISCLOSE OR REPRODUCE ALL OR PART OF THIS DRAWING OR ITS CONTENTS IN ANY WAY DETRIMENTAL TO CCI'S INTERESTS.

DO NOT SCALE DRAWING

DRAWN BY S. Copeland		Copeland Communications, Inc. <small>440 Colony Place • Gahanna, Ohio • 43230 • (614)475-1690 • (614)882-6062 FAX www.copelandcommunications.com</small>		
APPROVED BY S. Copeland				
SCALE 1 X	PROJECT NO	PROJECT DESCRIPTION OVER MOLDED CUSTOM ANTENNAS		
TOLERANCES		TITLE 916 MHZ 1/2 WAVE ANTENNA		
2 PLACE $\pm .01$ 3 PLACE $\pm .005$ ANGULAR \pm	DATE 02/24/05	DRAWING NO CC- ANT923842	REVISION N/R	SHEET 1 of 1