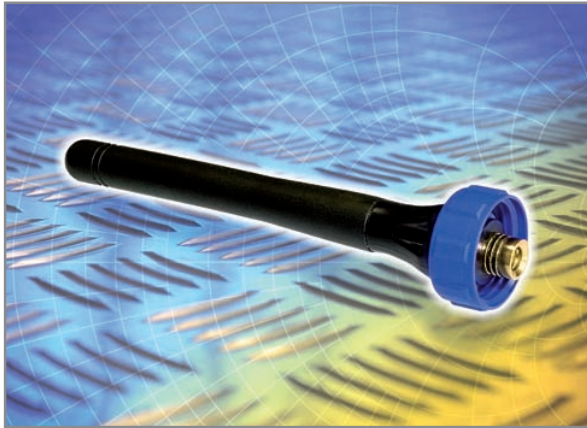


Wireless Buccaneer

IP68



SMB Antenna

- IP68 Sealing
- SMB 50 ohm interface
- For use with SMB Buccaneer
- Three frequency bands:
 - 440 to 470MHz
 - 900/1800/1900MHz
 - 2.4 to 2.5GHz
- Maintains sealing integrity of equipment



Bluetooth Cable Replacement

- IP68 Sealing
- RS485/RS232 serial interfaces
- Serial data to Bluetooth
- Wireless transparent data connection
- Up to 100m range (class 1)
- Maintains sealing integrity of equipment

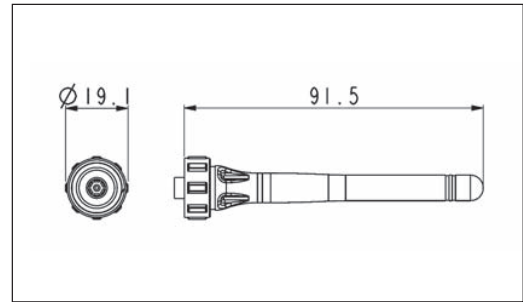
Buccaneer Antenna

SMB ANTENNA



PX0407

- Dust & waterproof to IP68 EN60529 when mated
- Secure screw thread locking
- Built-in sealed antenna
- Mates with SMB Buccaneer PX0414
- Frequency bands:
2.4 to 2.5GHz
440 to 470MHz
850-900/1800/1900MHz



Part no.	Description
PX0407	IP68 rated, Buccaneer Antenna, 2.4 to 2.5GHz frequency band
PX0408	IP68 rated, Buccaneer Antenna, 440 to 470MHz frequency band
PX0409	IP68 rated, Buccaneer Antenna, 850-900/1800/1900MHz frequency band

SPECIFICATION

Electrical:	
Frequency	
PX0407	2.4 to 2.5GHz
PX0408	440 to 470MHz
PX0409	850-900/1800/1900MHz
Configuration	Half Wavelength
Radiation	Omnidirectional
Polarization	Vertical
Impedance	50Ω nominal
VSWR	<2
Mechanical:	
Sealing	IP68, EN60529, when mated
Operating Temperature:	-20°C to +65°C
Material:	
Body Mouldings	PVC
Flammability Rating	UL94V-0
UV Resistance	EN50021:1999
RoHS	Compliant

BUCCANEER DATA

Buccaneer® Bluetooth Cable Replacement

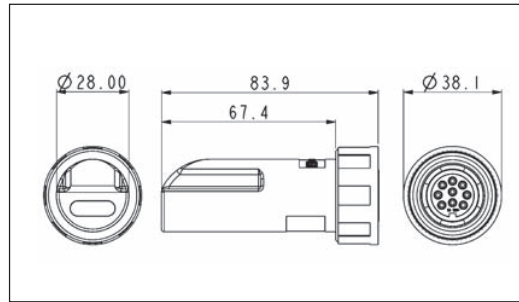
BLUETOOTH CABLE REPLACEMENT RS232, RS422 & RS485



PX0885



- Dust & waterproof to IP68 EN60529 when mated
- RS232, RS422 & RS485 Serial data to Bluetooth Adapter
- Wireless transparent data connection
- Self connecting for true cable replacement
- Up to 100m range (class 1)
- Multidrop or point to point versions
- Multidrop wireless master to 7 slaves (max) auto bonding
- Point to point - non bonding
- Optional remote parameter setting
- Mates with: PX0727/S, PX0707/S/09, PX0709/S/09, PX0769/S, PX0884



BUCCANEER DATA

Part No.	Description
PX0885/01/M	Master unit, IP68 rated, Bluetooth Class 1
PX0885/02/M	Master unit, IP68 rated, Bluetooth Class 2
PX0885/01/S	Slave unit, IP68 rated, Bluetooth Class 1
PX0885/02/S	Slave unit, IP68 rated, Bluetooth Class 2
PX0885/01/P	Point to point, IP68 rated, Bluetooth Class 1
PX0885/02/P	Point to point, IP68 rated, Bluetooth Class 2

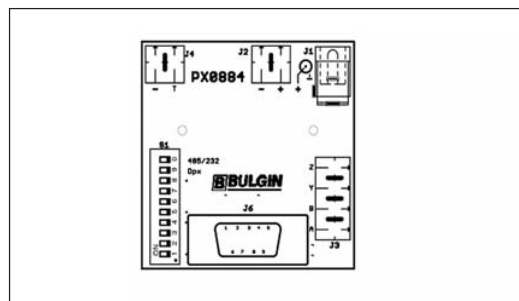
Bluetooth Buccaneer® Interface Adaptor

BLUETOOTH INTERFACE ADAPTER



PX0884

- Development board for use with PX0885 Buccaneer Bluetooth cable replacement
- Convenient screw terminations
- RS232 9-D plug connector
- Incorporates 9 way Buccaneer connector



Part no.	Description
PX0884	Interface adaptor for use with Buccaneer Bluetooth cable replacement PX0885