

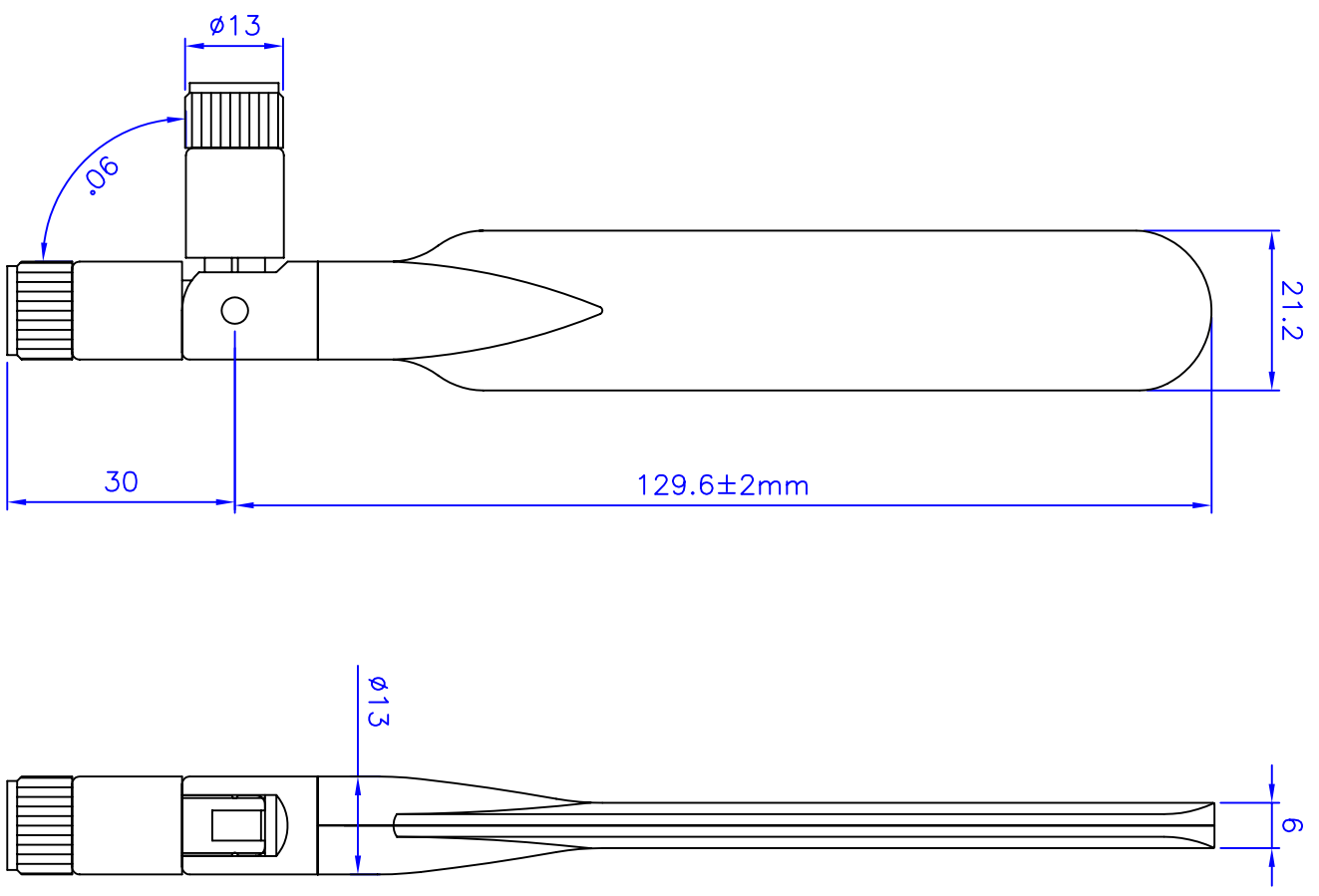
Connector code	Description	P / N
-XX-		
AM	SMA plug	T6140AM-AGDPU-S
AH	SMA plug revers polarity	T6140AH-AGDPU-S

Electrical Properties:

Frequency Range: 824~896MHz
AMPS: 890~860MHz
GSM: 1850~1990MHz
PCS: 1710~1880MHz
DCS: 1920~2170MHz
UMTS: 50Ω nominal
Impedance: ADGP <2.0:1 ; UMTS <3.0:1
VSWR: 2dBi
Gain: Omni
Radiation: Vertical
Polarization: Vertical

Mechanical Properties:

Connector: SMA
Material: Polycarbonate(Black)
Whip: Polycarbonate(Black)
Swivel Mechanism: Brass with black chrome plating
Connector: Brass with black chrome plating
Operation Temp.: -20°C to +65°C
Storage Temp.: -30°C to +75°C



TITLE	Multiple Band Swivel Antenna		VER
UNIT	6140 model		1.0
SCALE	mm		
NONE	DWG. NO. T6140XX-AGDPU-S		
NEARSON			