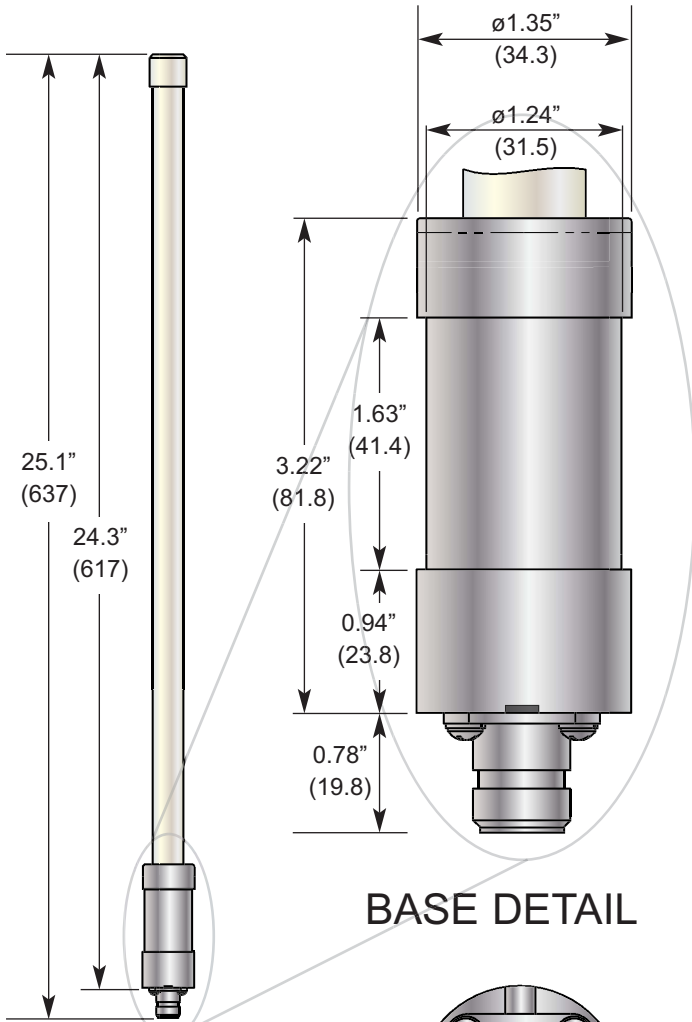
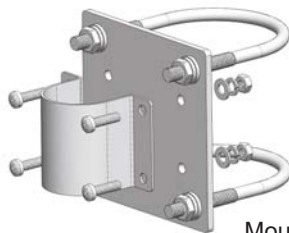
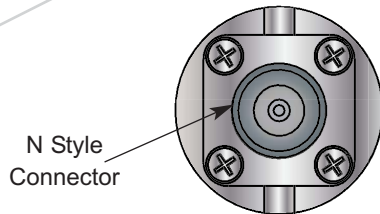


### Product Dimensions



BASE DETAIL



Mounting Hardware  
(Included)

### Description



The OM Series of gain antennas are designed to increase the range and reliability of wireless links while maintaining an omnidirectional pattern around the circumference of the antenna. This characteristic allows for greater flexibility in the placement of system devices than is often found in typical gain antenna solutions. OM Series antennas also feature rugged, weatherized construction making them well suited for both indoor and outdoor applications. The antenna includes complete mounting hardware for standard masts. The standard antenna features 7dBi gain. Higher gain versions are available upon request.

\*NOTE\* Use of these antennas may result in TX and RX emission levels in excess of legal limits.

### Features

- High gain
- Fiberglass radome construction
- Fully weatherized
- Rugged & damage-resistant
- N connector

### Electrical Specifications

- Center Freq. 2.45GHz
- Bandwidth 83MHz (2400 - 2483)
- Polarization Vertical
- VSWR  $\leq 1.5$  typ. at center
- Impedance 50 ohms
- Gain 7dBi
- Beamwidth 360° horizontal, 13° vertical
- Max. Power 20W
- Connector N-style female
- Mounting 2-pc bracket with U-bolts, 1.58"-1.97"(40-50mm) mast
- Weight 3.3lbs (1.5kg)
- Wind Velocity 124mph (56m/s)

### Ordering Information

- ANT-2.4-OM-CM-01-N  
Visit [connectorcity.com](http://connectorcity.com) for cable assemblies

### VSWR Graph

