



Specification

SPECIFICATION

Model No. : **TI.08**
Part No. : **TI.08.0112**
Product Name : **868MHz Terminal Antenna**



REVISION STATUS

Version	Date	Page	Revision Description	Prepared	Approved
01	May 16 th 2008	All	New Product	Taiwan product development centre	Dermot O'Shea

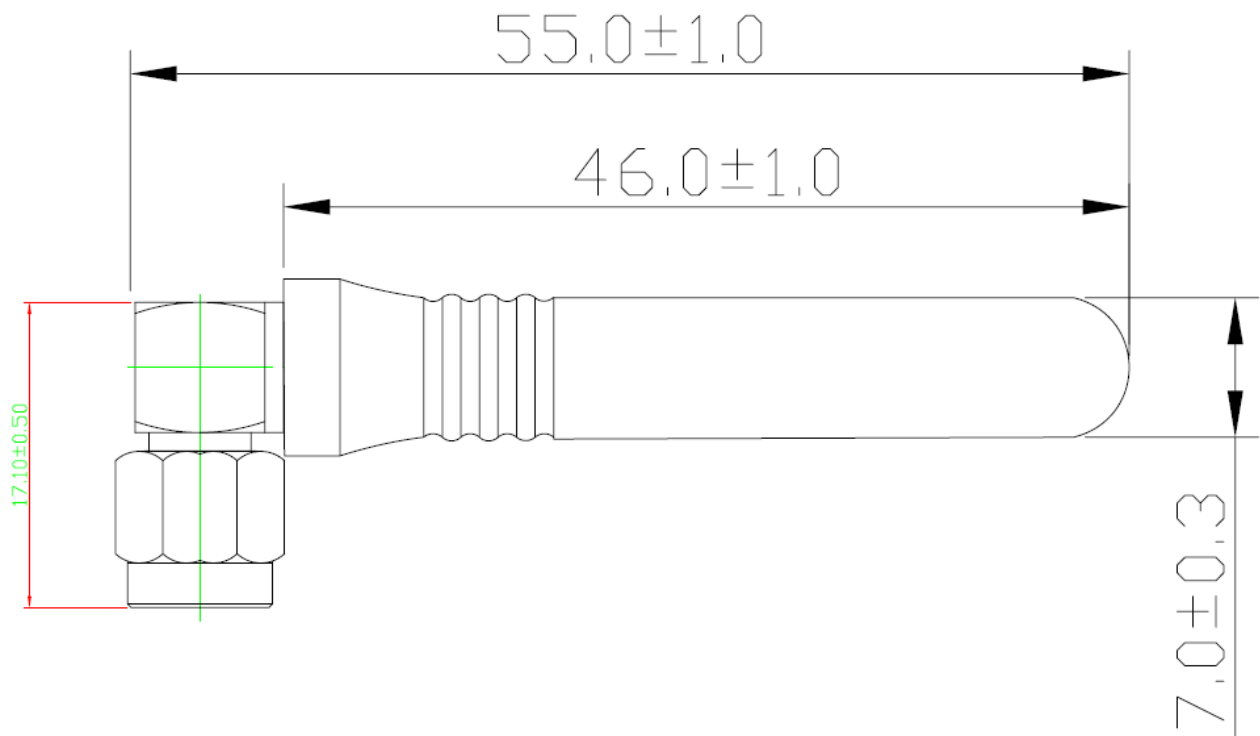


Specification

Antenna Performance

No	Parameter	Specification
1	Communication System	868MHz ISM Band
2	Frequency Band	853MHz – 883MHz
3	VSWR	2.3
4	Impedance	50 Ohm
5	Radiation Pattern	Omni-Directional
6	Polarization	Linear
7	Operating Temperature	-40°C to + 80°C
8	Weight	7g
9	Dimensions	55*17.1*9.6 mm

Drawing



- 1: Connector: SMA(M) plug male, right angle, fixed, gold
- 2: Housing : Polyurethane (Black)