



Specification

SPECIFICATION

PART NO. **GP.1575.15.4.B.02**

SPEC NO. **GP.15A**

PRODUCT NAME **DA1575O**
15mm*15mm*4mm
1575mhz GPS Patch Antenna



REVISION STATUS

VERSION	DATE	PAGE	REVISION DESCRIPTION	PREPARED	DESIGNED	APPROVED
01	03/31/06	Whole	New Issue	TW Product Development Centre		Ronan Quinlan

© All Rights Reserved

Taoglas Limited, Unit 7 Peare Campus, Moyne Business Park, Enniscorthy, Co. Wexford, Ireland
info@taoglas.com +353 53 9169500 www.taoglas.com



Specification

1.0 Introduction

This miniaturized ceramic GPS patch antenna is based on smart **XtremeGain™** technology. It is mounted via pin and double-sided adhesive and has been selected as optimal solution for the customer device environment.

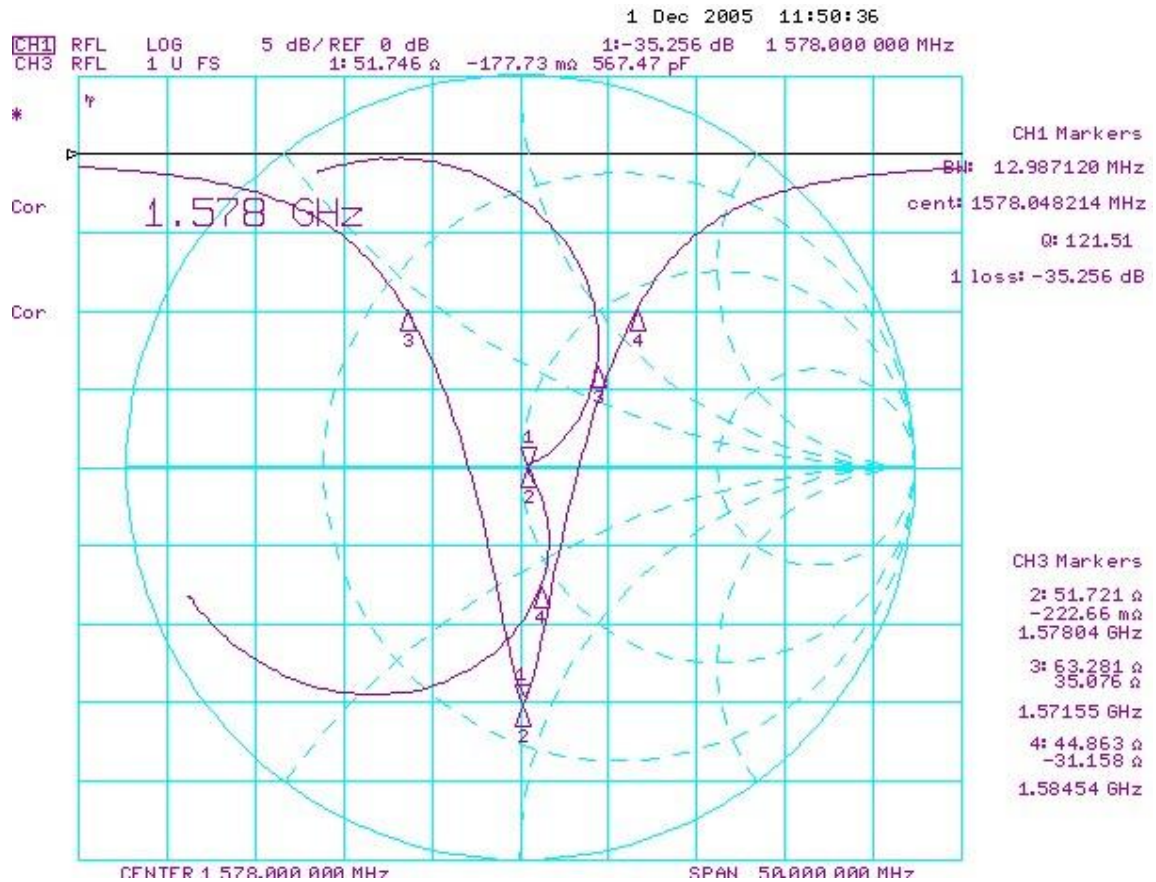
2.0 Key Antenna Performance Indicators

No	Parameter	Specification	Notes
1	Range of Receiving Frequency	1575.42 MHz \pm 1.023 MHz	
2	Center Frequency	1578 \pm 2MHz	With 66x52.5mm ground plane
3	Bandwidth	6 MHz min	Return Loss \leq -10 dB
4	VSWR	1.5 max	Center Frequency
5	Gain at Zenith	1.0 dBiC typ.	
6	Gain at 10°elevation	--	
7	Axial Ratio	3 dB max	
8	Polarization		RHCP
9	Impedance		50 Ohms
10	Frequency Temperature Coefficient (Tf)	0 \pm 20ppm / °C	-40°C to +85°C
11	Operating Temperature		-40°C to +85°C

Table 1



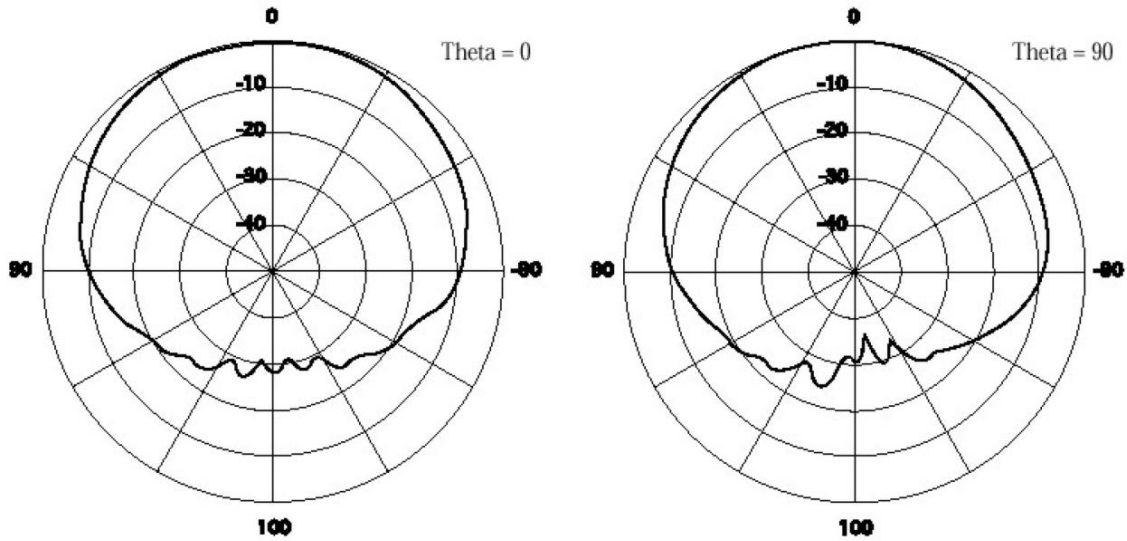
3.0 Performance Measurement





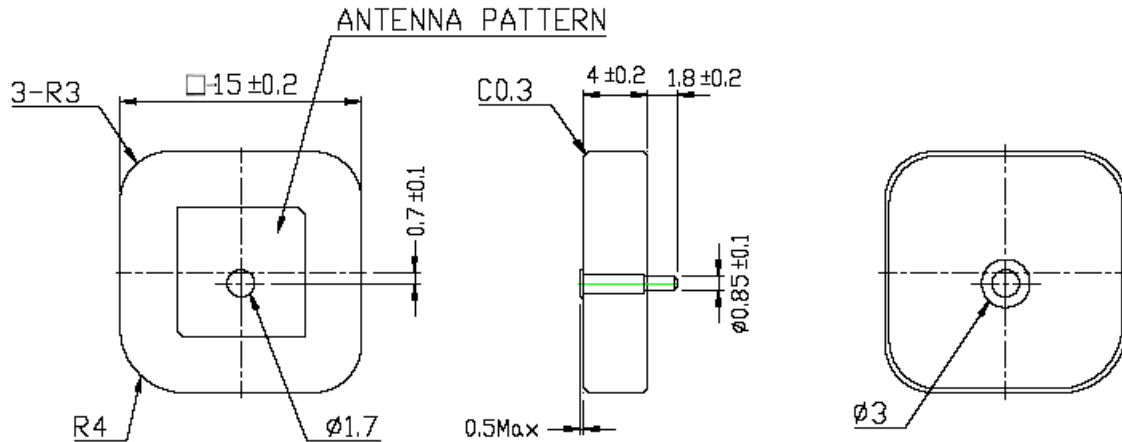
Specification

Antenna Gain Chart (Spin Dipole Method)

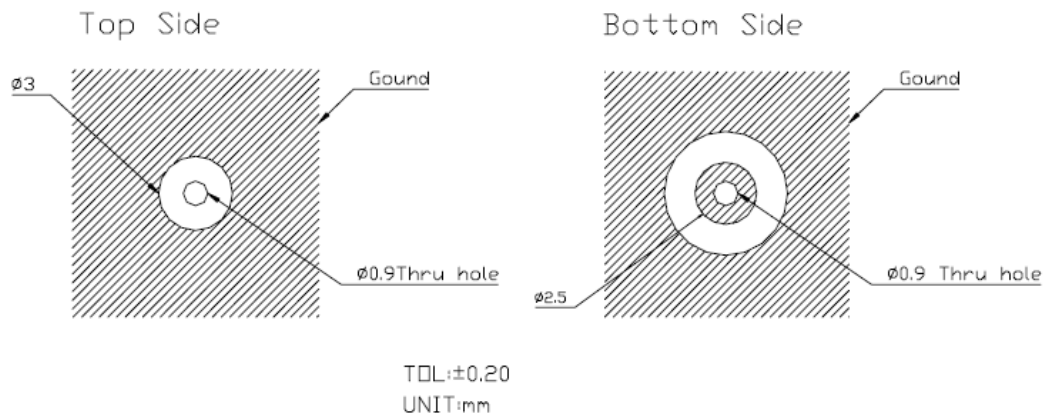




4.0 Shape and Dimensions



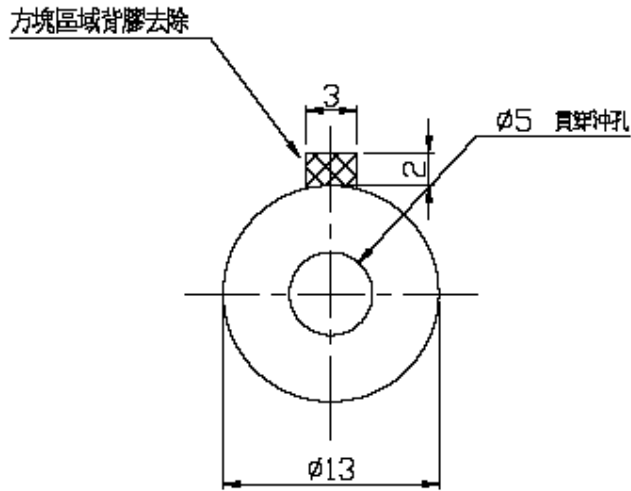
4.1 Layout Dimension





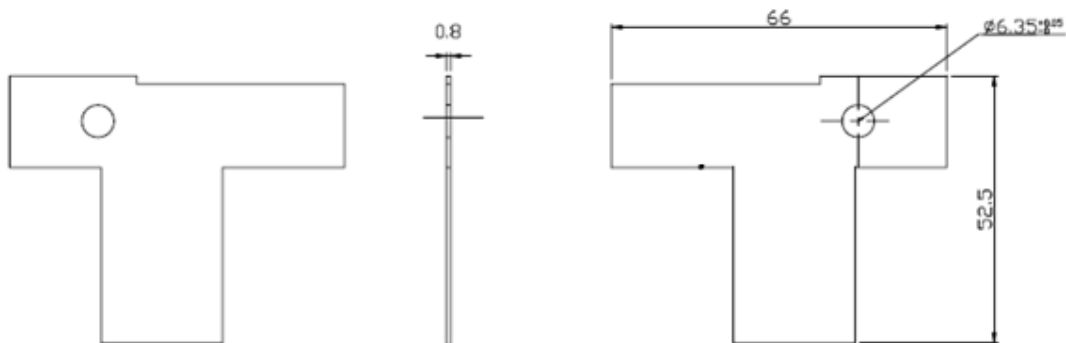
Specification

4.2 Tape Dimensions



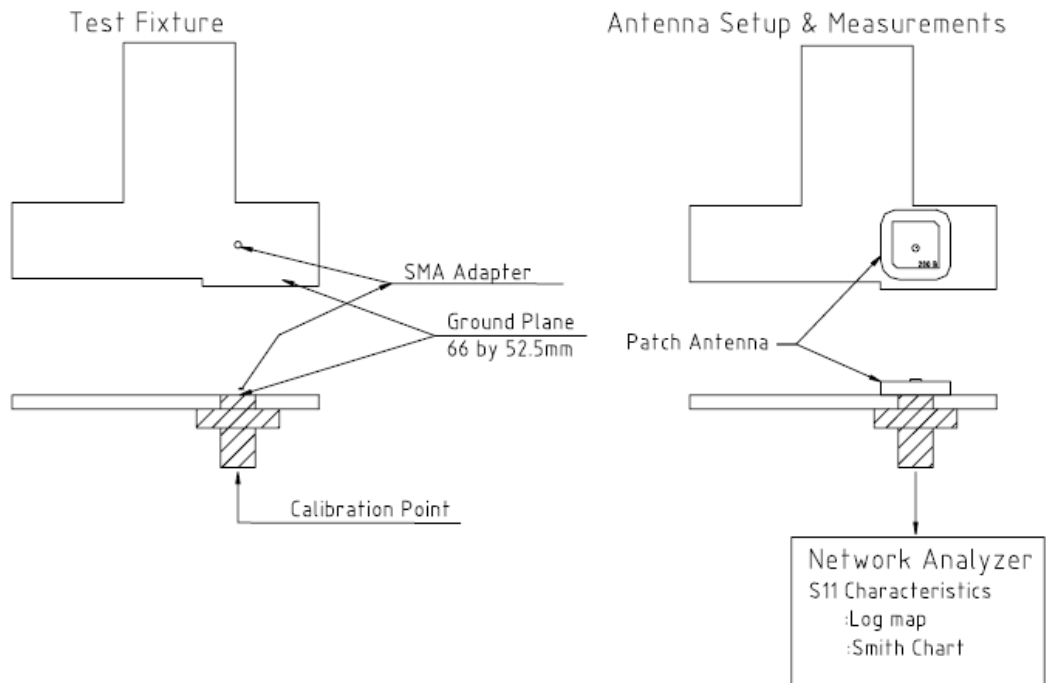
- 備註：
1. tesa : N0.4972
2. Double Sided Very Thin Filmic Tape
3. Thickness : 0.05mm
4. 未標示公差為 ± 0.2

4.3 Test Jig and Dimensions





4.4 Test Fixture Antenna Setup & Measurements



4.5 Mark

