

P/N W350FE

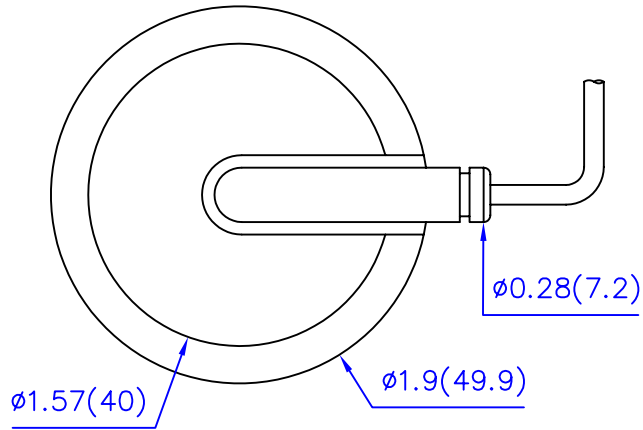
Alternative Connectors

.SMA Plug(male)

P/N: W350AM

.Mini-U Plug(male)

P/N: W350MU

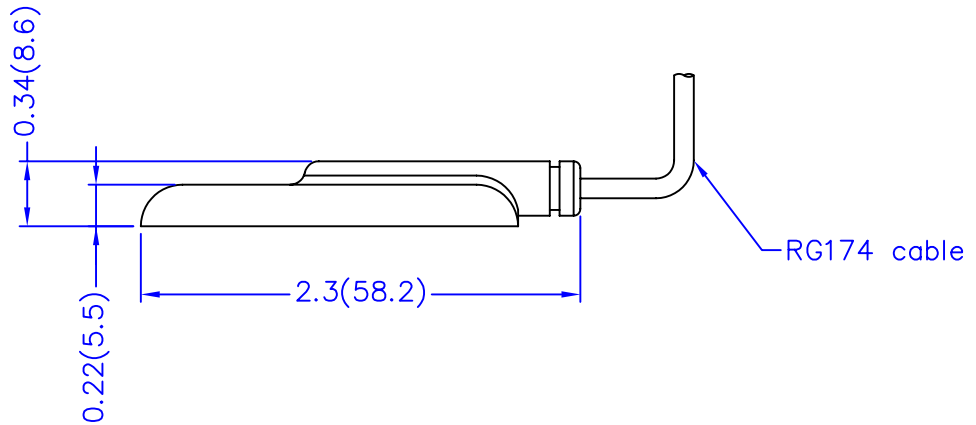


Electrical Properties:

Frequency Range: 824~960 MHz
 1710~2170 MHz
 Impedance: 50Ω nominal
 VSWR: <2.0:1
 Gain: 1 dBi
 Radiation: Omni
 Polarization: Vertical
 Wave: Half Wave Dipole

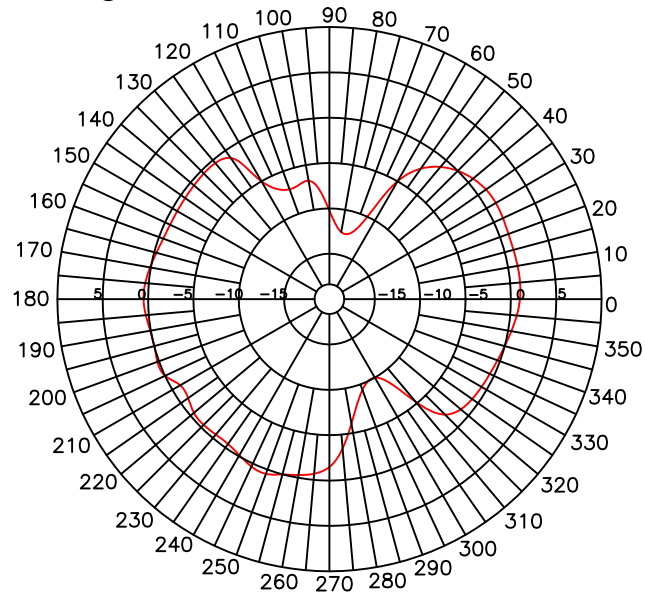
Mechanical Properties:

Connector: FME(female)
 Cable: RG174 10ft(3 m)ref.
 Overmold Housing: ABS(Black)
 Mounting: Double side tape
 Operation Temp.: -20°C to $+65^{\circ}\text{C}$
 Storage Temp.: -30°C to $+75^{\circ}\text{C}$

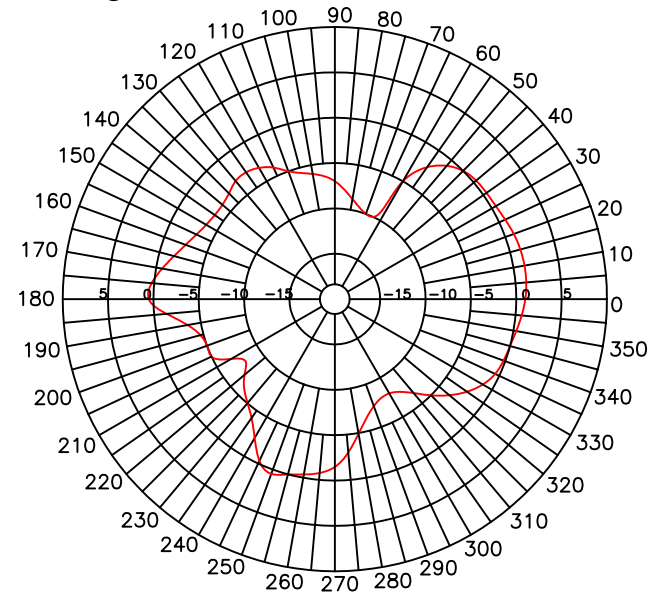


TITLE	Low Profile Antenna – 350 Model		VER
			09/23/02
UNIT	DWG. NO.	W350FE	
in.(mm)			
SCALE			
1:1	NEARSON		

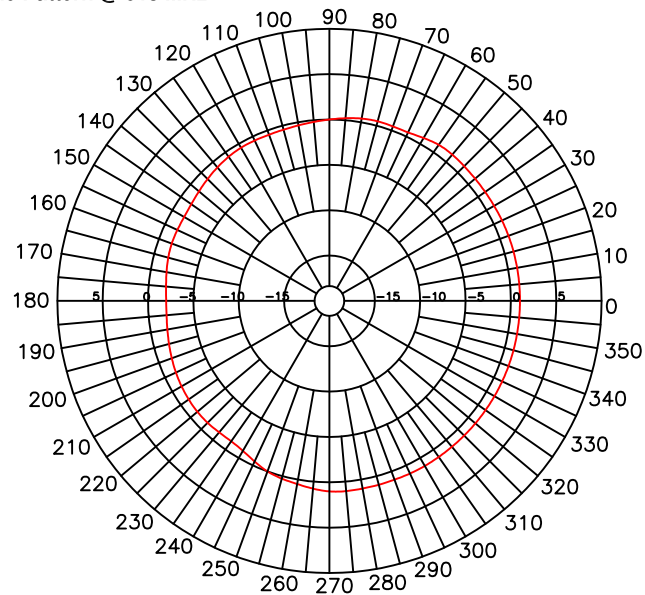
E-Plane Pattern @ 915 MHz



E-Plane Pattern @ 1800 MHz



H-Plane Pattern @ 915 MHz



H-Plane Pattern @ 1800 MHz

