



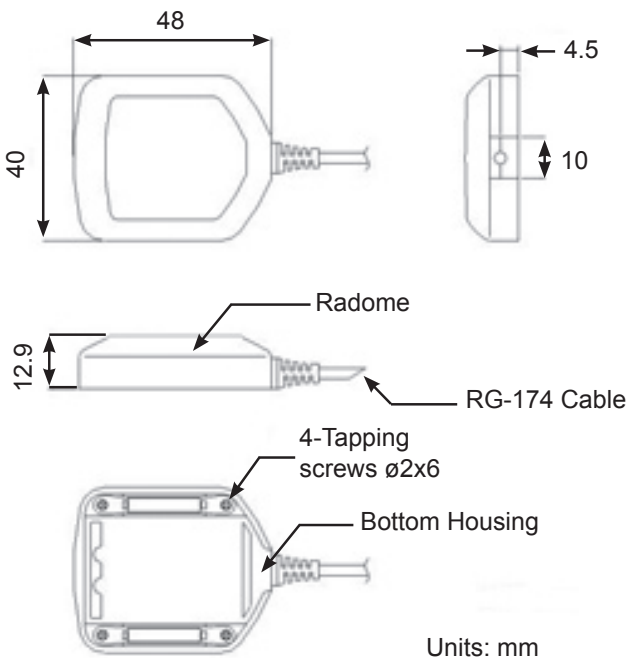
## ANT06A GPS Antenna

*Compact high performance antenna*

Navman's ANT06A antenna offers the ultimate in installation flexibility and performance in a cost effective and aesthetically pleasing package. The ANT06A is rated to IPx6 and features a sturdy waterproof aluminium housing with magnetic base. The ANT06A is configured to provide optimum tracking performance when integrated with suitable Jupiter series products. Providing a complete GPS antenna solution, the ANT06A eliminates the risk of issues arising from incorrect antenna matching.

### Key Features

- medium gain, 18 dB, RHCP, impedance matched, low VSWR active antenna
- rugged aluminium housing which is waterproof to IPx6
- magnetic base for ease of attachment
- suitable for use with Jupiter 20, 21, 30 and 32
- environmentally friendly RoHS compliance



## Product specifications

### Overall gain

- at connector output: 18 dB typical

### Amplifier module

- LNA gain: 20 dB typical
- noise figure: 1.5 dB typical
- output VSWR: 2.0 max
- DC Voltage: DC 2.7V to 6.0V
- DC Current: 3.5 ±2 mA

### Patch Antenna

- type: Right Hand Circular Polarised (RHCP)
- frequency: 1575.42 MHz
- VSWR: 1.5 Max
- bandwidth: 20 MHz Min at -10 dB
- axial ratio: 2 dB typical
- Impedance: 50 Ω
- peak gain: 4 dBic min (7 x 7 cm ground plane)
- gain coverage: ≥ -4 dBic at -90° to 90° (over 75% volume)
- power handling: 1 watt

### Mechanical

- radome: ABS+PC
- bottom housing: aluminium
- mounting: magnetic base
- housing colour: black

### Electrical

- cable: RG174
- cable length: 5 m (approx.)
- connector: SMA Plug (male)

### Environmental

- working temperature: -40° C to +85° C
- storage temperature: -50° C to +95° C
- vibration: sine sweep, 1 G (O-P), 10-150-10 Hz each axis
- humidity: 95% to 100% RH
- waterproof: IPx6 rated

### Physical

- dimensions: 48 x 40 x 13 mm
- weight without cable: 43 grams max.

### Ordering information

- AT00047A-G ANT06A GPS Antenna

Contact your local distributor or Navman OEM:

[www.navman.com](http://www.navman.com) (Commercial Division)