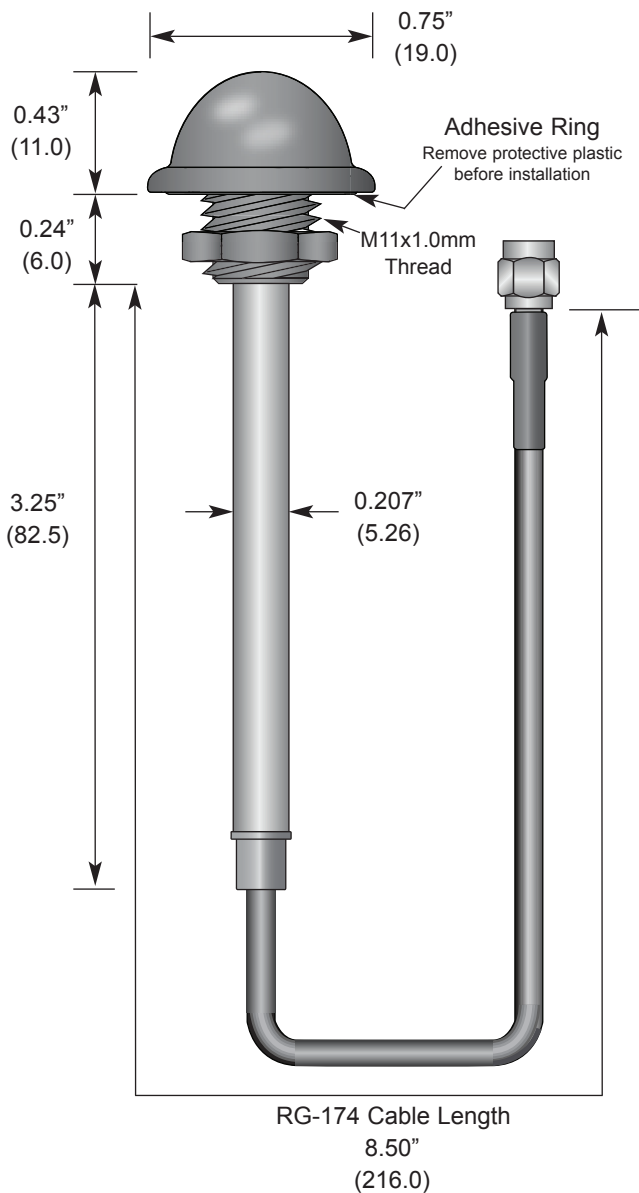


### Product Dimensions



### Description



The WRT Series antenna is ideally suited for applications such as wireless vending, security, traffic, or power equipment which require an unobtrusive, tamper-resistant antenna solution. The tiny 19 x 11mm radome installs through a small hole on the product and is anchored by a threaded base. An adhesive foam compression ring is used to resist the elements. The 1/4-wave antenna also features an integral counterpoise, which eliminates the need for a proximity ground plane. The antenna's coax feed is available with SMA or RP-SMA terminations. Alternate coax lengths, connectors and custom colors are available for volume OEM customers.

### Features

- Low cost
- Unobtrusive
- Tamper resistant
- Integral counterpoise
- Indoor / outdoor
- Adhesive or permanent mount

### Electrical Specifications

- |                           |                     |
|---------------------------|---------------------|
| • Center Freq.            | 916MHz              |
| • Recommended Oper. Freq. | 900-930MHz          |
| • Wavelength              | 1/4-wave            |
| • VSWR                    | <1.9 typ. at center |
| • Impedance               | 50 ohms             |
| • Connector               | RP-SMA or SMA       |
- Electrical specifications and plots measured on 24" x 24" reference ground plane

### Ordering Information

- ANT-916-WRT-RPS (with RP-SMA connector)
- ANT-916-WRT-SMA (with SMA connector)

### VSWR Graph

