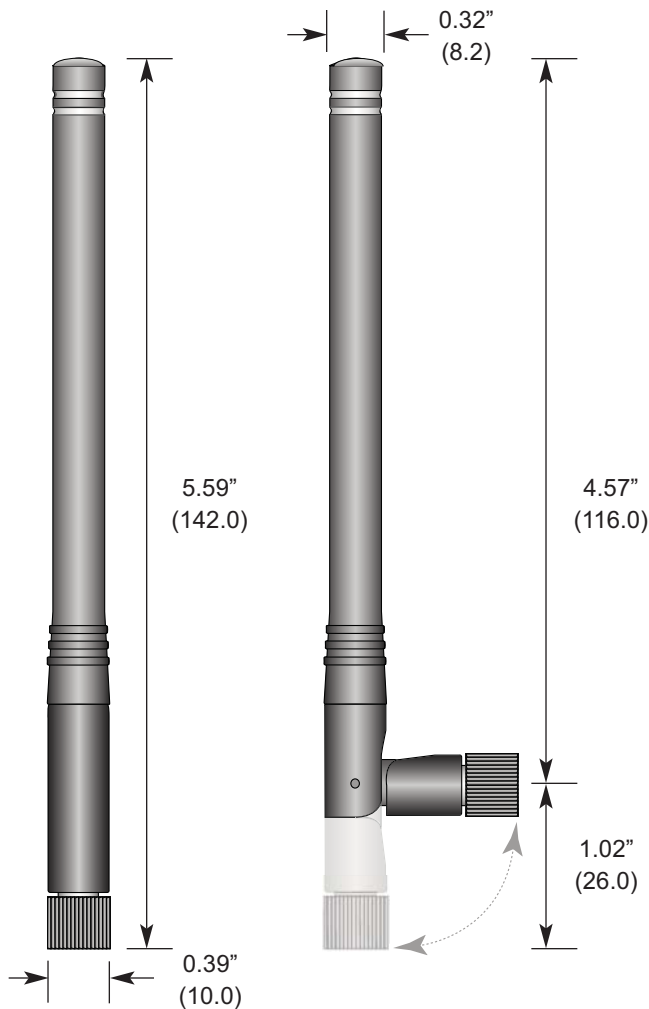


### Product Dimensions



### Description



HWR Series 1/2-wave center-fed dipole antennas deliver outstanding performance in a rugged and cosmetically attractive package. The articulating base allows the antenna to tilt 90 degrees and rotate 360 degrees. The antenna's internal counterpoise eliminates external ground plane dependence and maximizes performance. HWR Series antennas attach via a standard SMA or Part 15 compliant RP-SMA connector. Custom colors and connectors are available for volume OEM customers.

### Features

- Internal counterpoise
- Low cost
- Tilts and rotates
- Omni-directional pattern
- Outstanding VSWR
- Rugged & damage-resistant
- Standard SMA or Part 15 compliant RP-SMA connector
- Custom colors and terminations for volume OEMs
- Internal O-ring seal on connector

### Electrical Specifications

- Center Freq. 2.45GHz
- Recmd. Freq. Range 2.3-2.6GHz
- Wavelength 1/2-wave
- VSWR <2.0 typ. at center
- Impedance 50 ohms
- Connector RP-SMA or SMA

Electrical specifications and plots measured on 4.00" x 4.00" reference ground plane

### Ordering Information

- ANT-2.4-CW-HWR-RPS (with RP-SMA connector)
- ANT-2.4-CW-HWR-SMA (with SMA connector)

### Polar Plot & Gain Information

