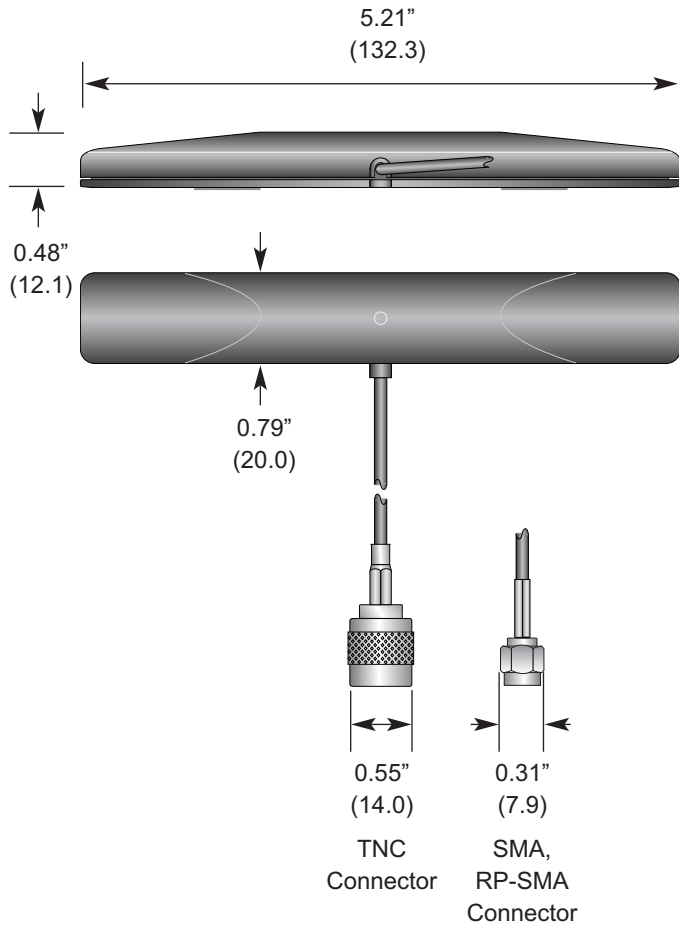


### Product Dimensions



### Description



The HDP Series is a compact, center-fed antenna that achieves efficient operation at any or all of three frequency bands. Its durable, unobtrusive housing attaches permanently with integral adhesive to flat, non-conductive surfaces such as windows, drywall, ceiling tiles, plastic, etc. The antenna is supplied with 9.8 feet (3m) of RG-174 cable and can be terminated in a TNC, standard SMA, or FCC Part 15 compliant RP-SMA connector.

### Features

- Tri-band (824-960MHz, 1.71-1.99GHz, and 2.401-2.483GHz)
- Center-fed from the side
- Surface-mount
- Low VSWR
- Excellent performance
- Omni-directional pattern
- Fully weatherized, durable & unobtrusive
- TNC, SMA, or RP-SMA connector

### Electrical Specifications

- |                     |                            |
|---------------------|----------------------------|
| • Recm. Freq. Range | Band 1 824-960MHz          |
|                     | Band 2 1.71-1.99GHz        |
|                     | Band 3 2.40-2.48GHz        |
| • Wavelength        | 1/2-wave                   |
| • VSWR              | Band 1 ≤1.5 typ. at center |
|                     | Band 2 ≤1.9 typ. at center |
|                     | Band 3 ≤1.9 typ. at center |
| • Impedance         | 50 ohms                    |
| • Connector         | TNC, SMA, or RP-SMA        |
| • Cable             | 9.8' RG-174 coax           |

### Ordering Information

- ANT-DB1-HDP-TNC (with TNC connector)
- ANT-DB1-HDP-SMA (with SMA connector)
- ANT-DB1-HDP-RPS (with RPS connector)

### VSWR Graph

