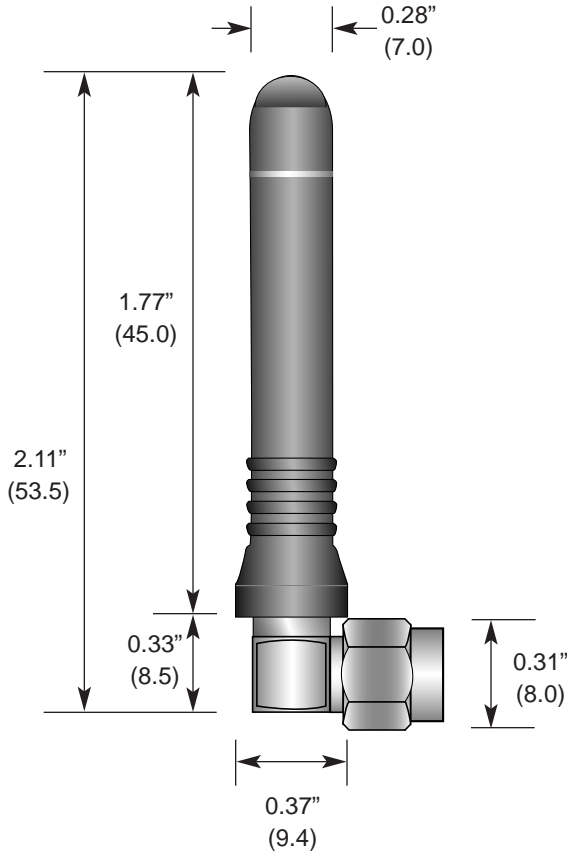


Product Dimensions



Description



The RCS Series is ideally suited for products requiring an attractive, yet compact, 1/4-wave antenna in a right-angle form factor. The antennas attach via a Part 15 compliant RP-SMA connector. The 2.45GHz version is also available with a standard SMA connector.

Features

- Reduced height helical whip
 - Right-angle mount
 - Excellent performance
 - Omni-directional pattern
 - Fully weatherized
 - SMA or Part 15 compliant RP-SMA connector
 - Use with plastic* or metal enclosures
- * Requires proximity ground plane

Electrical Specifications

- Center Freq. 2.45GHz
- Bandwidth 50MHz
- Wavelength 1/4-wave
- VSWR <1.9 typ. at center
- Impedance 50 ohms
- Connector RP-SMA or SMA

Electrical specifications and plots measured on 4.00" x 4.00" reference ground plane

Ordering Information

- ANT-2.4-CW-RCS (with RP-SMA connector)
- ANT-2.4-CW-RCS-SMA (with SMA connector)

VSWR Graph

