



Specification

SPECIFICATION

Part No. : **GP.1575.25.4.A.02**

Specification No : **GP.25A**

Product Name : **4mm thick GPS Patch Antenna, 1575MHz (DA1574N)**

Features : 25mm*25mm*4mm
ROHS Compliant

:



REVISION STATUS

Version	Date	Page	Revision Description	Prepared	Approved
01	Jan 03 rd 2007	All	New format	TW Product Centre	Ronan Quinlan

© All Rights Reserved

Taoglas Limited, Unit 7 Peare Campus, Moyne Business Park, Enniscorthy, Co. Wexford, Ireland
info@taoglas.com

+353 53 9169500

www.taoglas.com



Specification

1.0 Introduction

This miniaturized ceramic GPS patch antenna is based on smart **XtremeGain™** technology. It is mounted via pin and double-sided adhesive and has been selected as optimal solution for the customer device environment.

2.0 Key Antenna Performance Indicators

Original Patch Specification tested on 50mm² ground plane

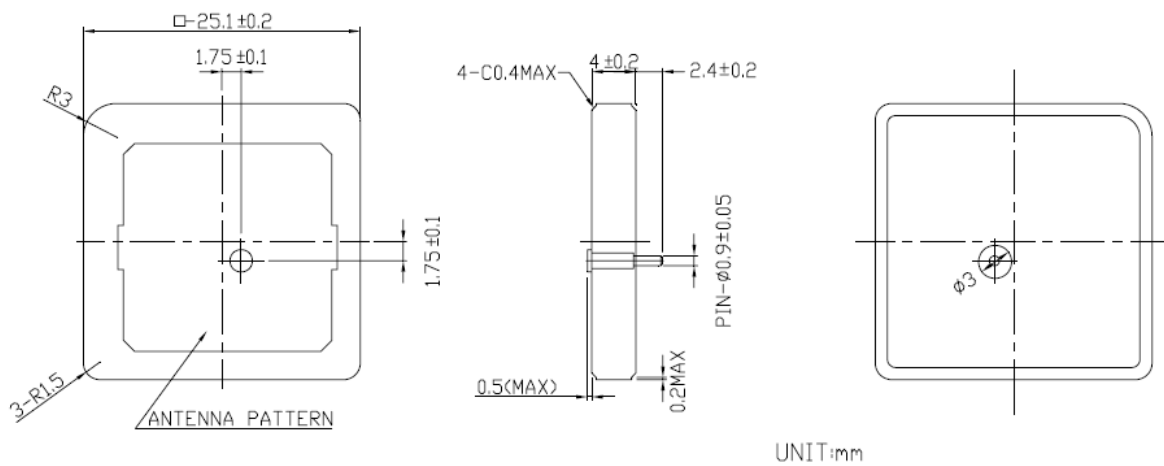
No	Parameter	Specification	Notes
1	Range of Receiving Frequency	1575.42 MHz ± 1.023 MHz	
2	Center Frequency	1575.42 ± 3MHz	With 50mm ² ground plane
3	Bandwidth	10 MHz min	Return Loss ≤ -10 dB
4	VSWR	1.5 max	Center Frequency
5	Gain at Zenith	+3.5 dBic typ.	
6	Gain at 10° elevation	--	
7	Axial Ratio	3 dB max	
8	Polarization	RHCP	
9	Impedance	50 Ohms	
10	Frequency Temperature Coefficient (Tf)	0 ± 20ppm / °C	-40°C to +85°C
11	Operating Temperature	-40°C to +85°C	



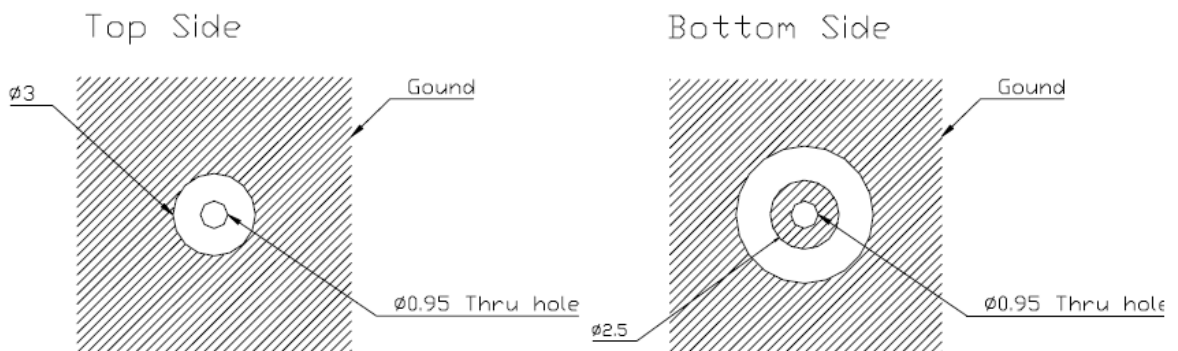
Specification

3.0 Mechanical Specifications

3.1 Shape and Dimension



3.2 Layout

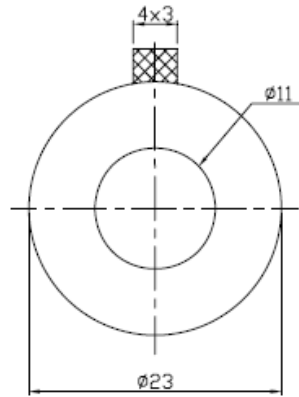


TOL: ± 0.20
UNIT:mm



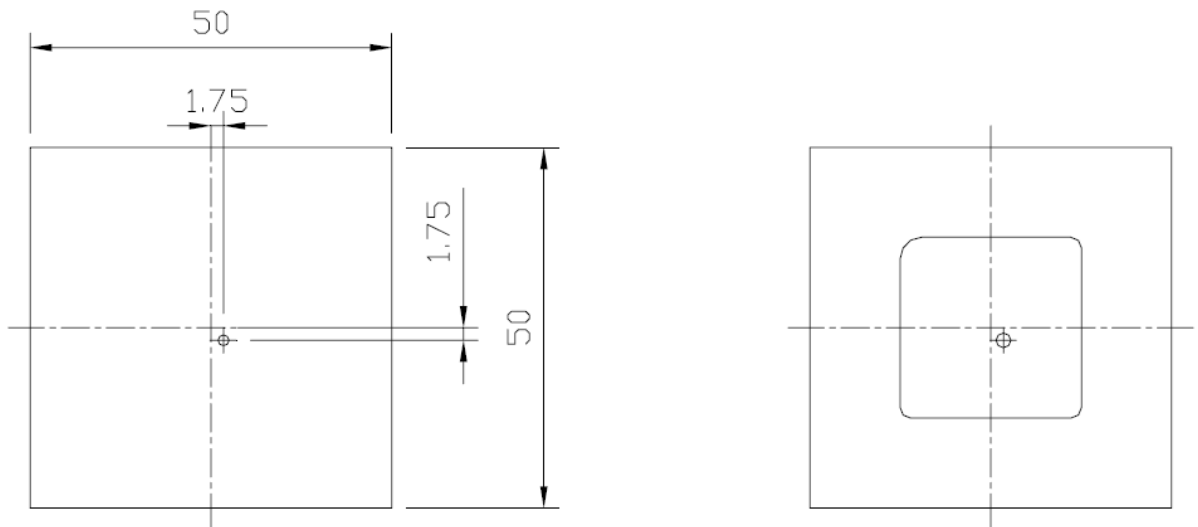
Specification

Tape Dimension



- 1. NITTO : NO.5015
- 2. Double-coated adhesive tape for industrial use
- 3. Thickness : 0.12mm

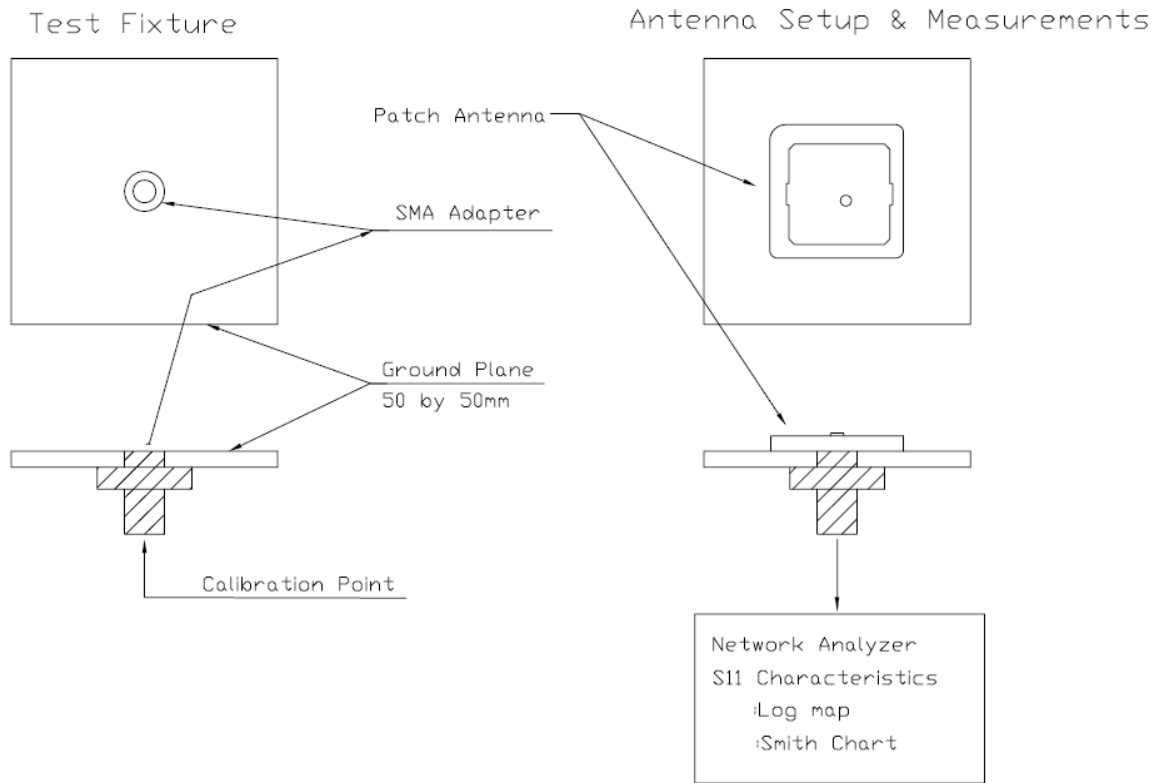
3.3 Test Jig and Dimension





Specification

3.4 Test Fixture Antenna Setup and Measurements





Specification

4.0 Performance testing and results

